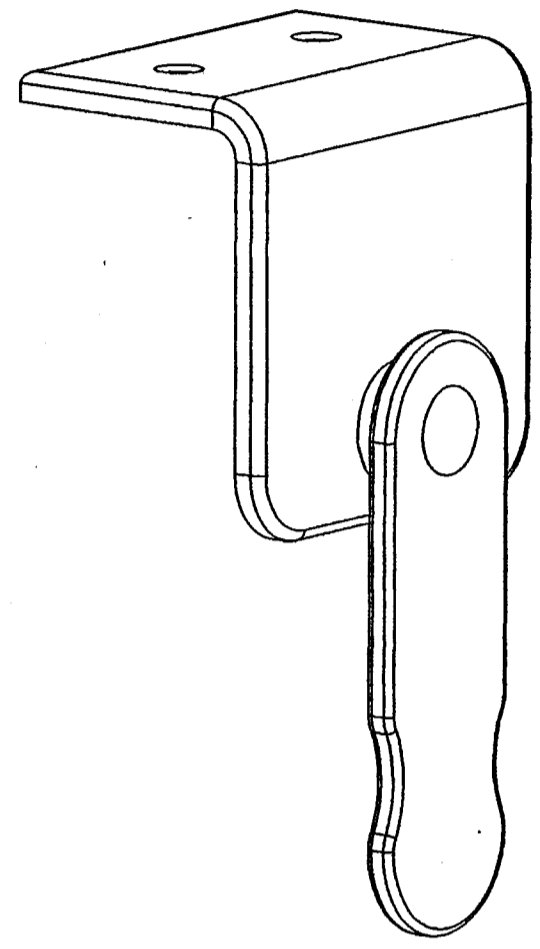
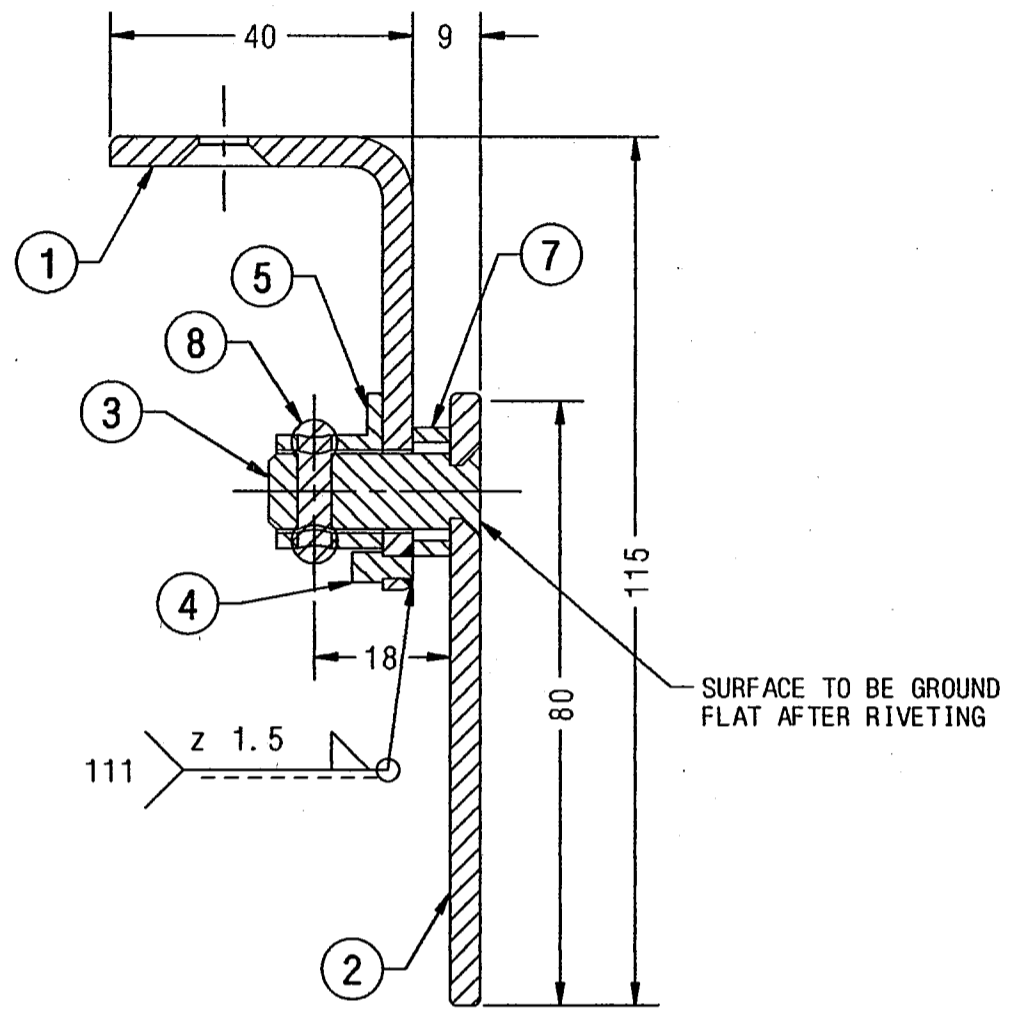
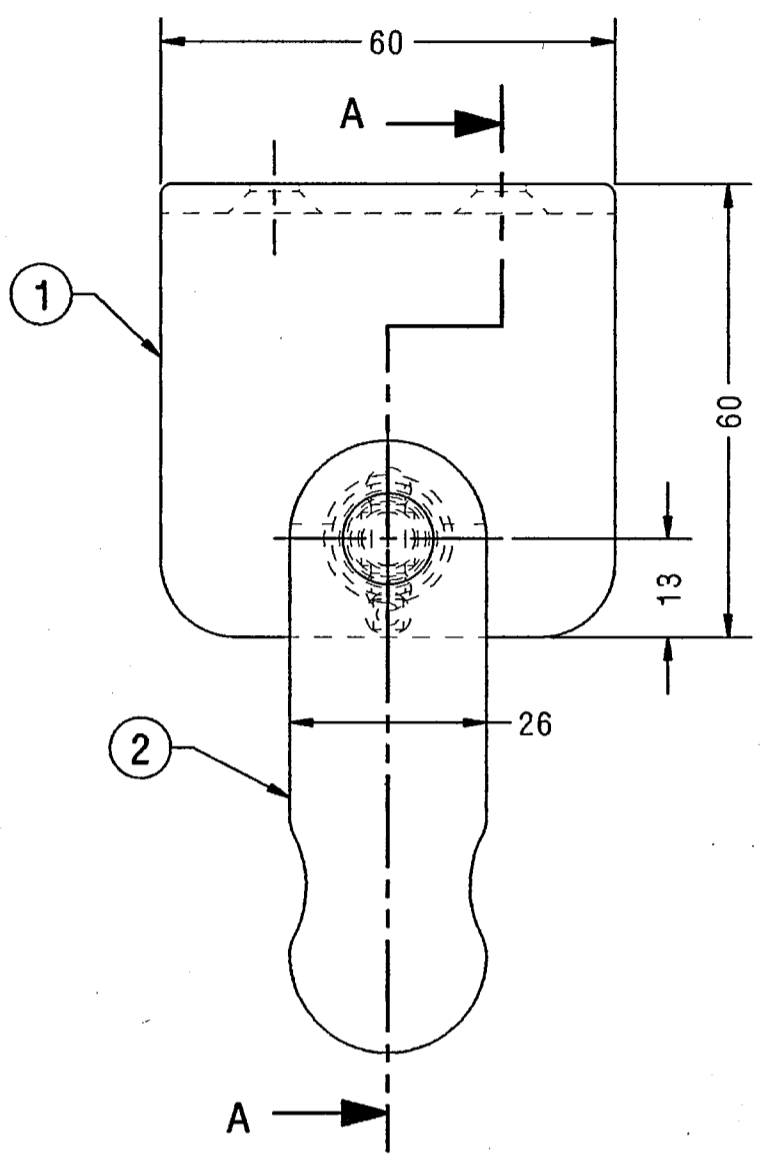
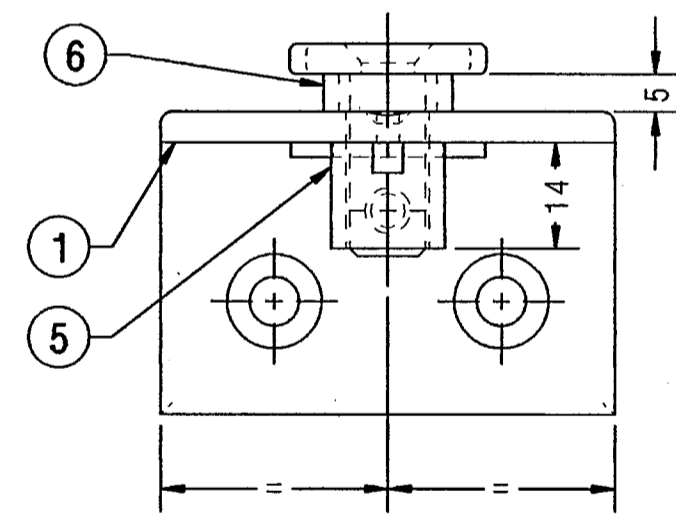


ALT.NO	ALT.DATE	ZONE	ALTERATIONS	AUTHORITY
a	12/01/2000	ALL F9 C8 G13 F8	1. MATERIAL OF CATCH ARRGT. CHANGED FROM MILD STEEL TO STAINLESS STEEL. 2. THICKNESS OF BRACKET (ITEM-1) CHANGED FROM 5 TO 4. 3. CHROME PLATING NOTES-1 TO 4 DELETED AND ANOTHER NOTES-1 & 2 ADDED. 4. PL NO. WAS 01132301. 5. WEIGHT WAS .2000 KG.	DIC NO. MD990218
b	31/10/2008	ALL E9 F11 ALL C5 F4	1. DESIGN OF ITEM-1 MODIFIED. 2. ITEM-6 DELETED. 3. DRG. NO. FOR ITEM-2 WAS AE61227. 4. ISO-VIEW ADDED. 5. DIMS. 80 & 115 WERE 71 & 105 RESPECTIVELY. 6. NOTE-1 MODIFIED & NOTES-3 & 4 ADDED.	DIC NO. MD080039



SECTION A-A  
SCALE 1:1

ISO-VIEW  
(FOR REFERENCE ONLY)



- NOTE:-
1. STAINLESS STEEL ELECTRODE OF SAME COMPOSITION AS PER TABLE-3 OF RDSO/SPEC. C-K201 IS TO BE USED FOR WELDING.
  2. ASSEMBLY SHOULD HAVE STANDARD POLISHED SURFACE FINISH AS PER IS: 6911-92, TAB-8, FINISH NO. 4.
  3. ALL SHARP CORNERS TO BE ROUNDED OFF PROPERLY.
  4. WELD AREA SHOULD BE PICKLED & PASSIVATED BEFORE POLISHING.

एक प्रत  
में  
Enter  
को  
Into  
प्रविष्टि  
Date  
8 NOV 2008

ITEM	DESCRIPTION & DIMENSIONS	QTY	DETAIL DRG	MATL. & SPEC.	REMARKS
8	SNAP HD. RIVET 4X18	1	NIL	IS: 2998-82 GRADE-1	NIL
7	SPRING WASHER 12	1	NIL	IS: 6755-80	NIL
6	PIN	1	AE61231	NIL	NIL
5	SPECIAL WASHER	1	AE61230	NIL	NIL
4	PIN	1	AE61229	NIL	NIL
3	PIN	1	AE61228	NIL	NIL
2	TONGUE	1	LW61267	NIL	NIL
1	BRACKET	1	CC61298	NIL	NIL

WELD LENGTH	ITEM	DESCRIPTION & DIMENSIONS	QTY	DETAIL DRG	MATL. & SPEC.	REMARKS			
NIL	M	GROUP	SEAT & UPPER BERTHS						
WEIGHT	FILE	cc61297b.prt (3D)							
0.15315	KG	<b>CATCH ARRANGEMENT FOR CONDUCTOR'S BERTH</b> RAIL COACH FACTORY, KAPURTHALA				SCALE	SSE/REC	DRN	DHRM
NIL	M <sup>2</sup>					1:1	CHD	DUGL	31/10/08
LENGTH / DIA	M					DRN	DHRM	31/10/08	
NIL	M					REF.DRG.No.	NIL		
WIDTH / THICK	M	INDIAN RAILWAYS STANDARD				PL NO.	NIL		
NIL	M	INDIAN RAILWAYS STANDARD				DRG.NO.	CC61297		
HEIGHT	M	N.R.				SIZE	A2 SHEET 1/1		
NIL	M	ADE/SME				DATE	31/10/08		

DETAIL DRGS STARTING WITH "LI" ARE INTERNAL REFERENCE LISTS ONLY AND ARE NOT FOR ISSUE  
ANY MANUAL ALTERATION SHALL AUTOMATICALLY RENDER THIS DRAWING INVALID.

FOR UNTOLERANCED DIMENSIONS REFER MDG0008 DATE OF FIRST ISSUE 19/05/1999 CGM BY [Signature] 31/10/08