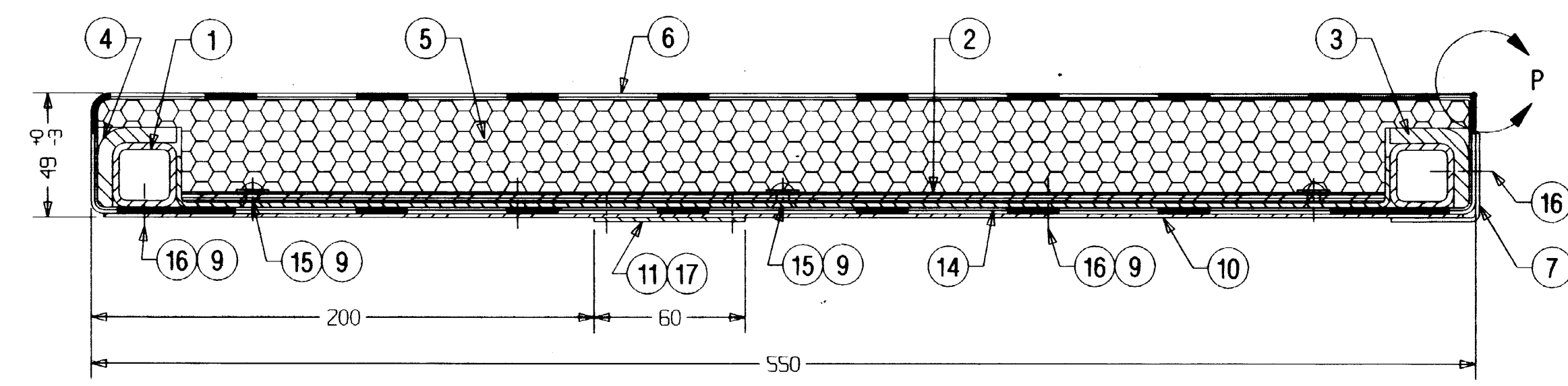
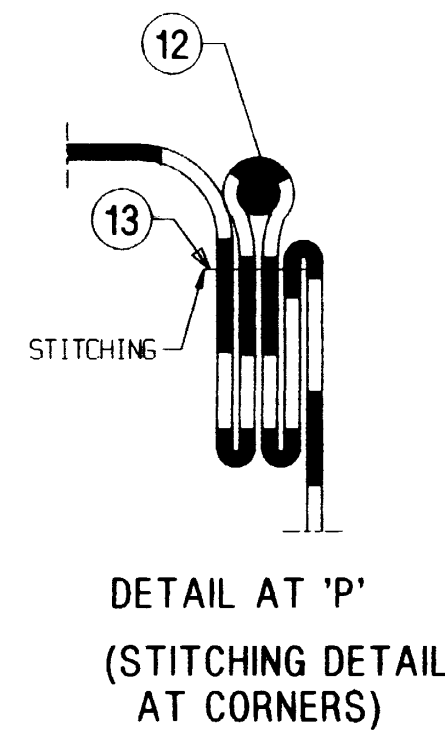
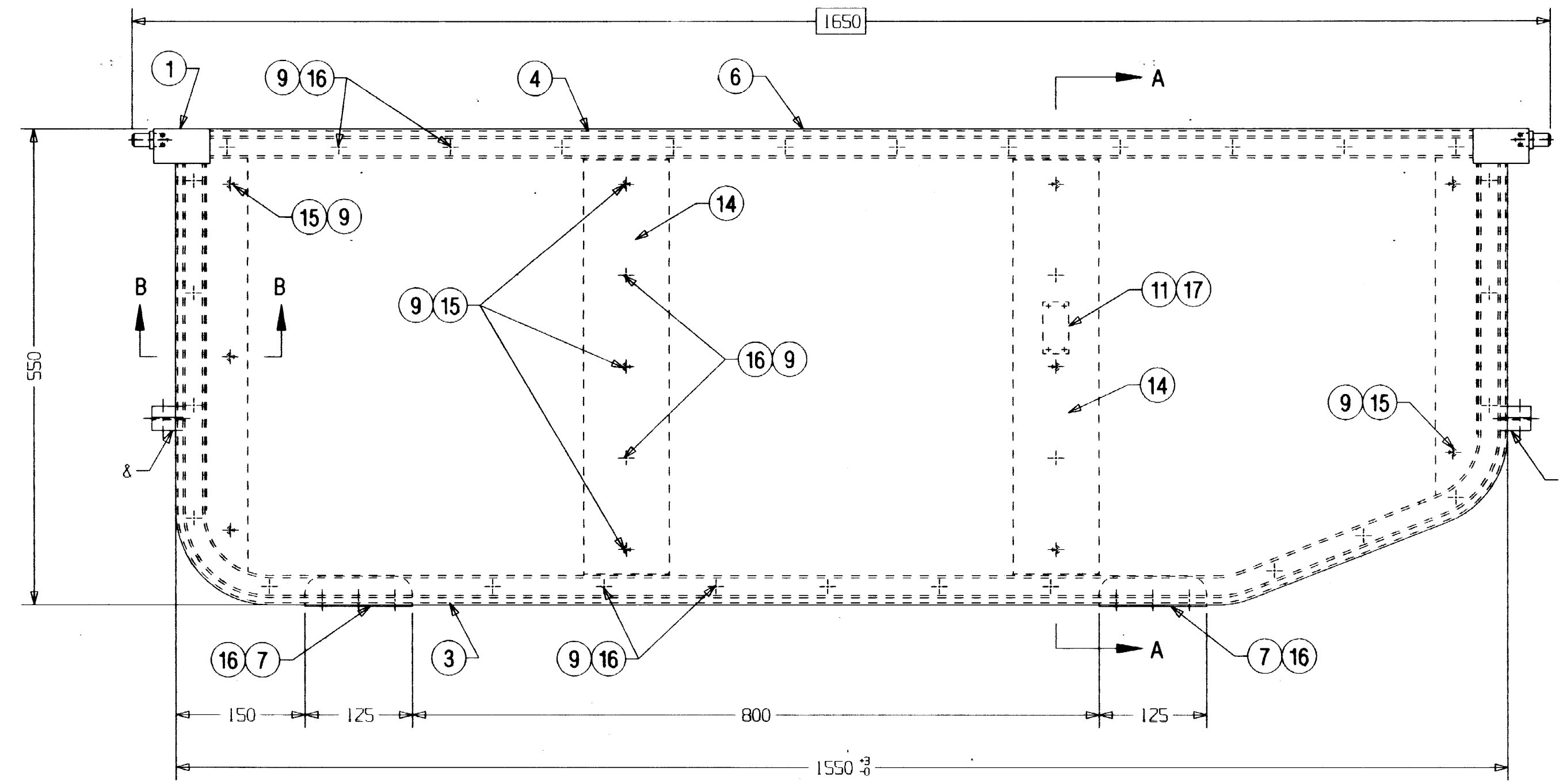
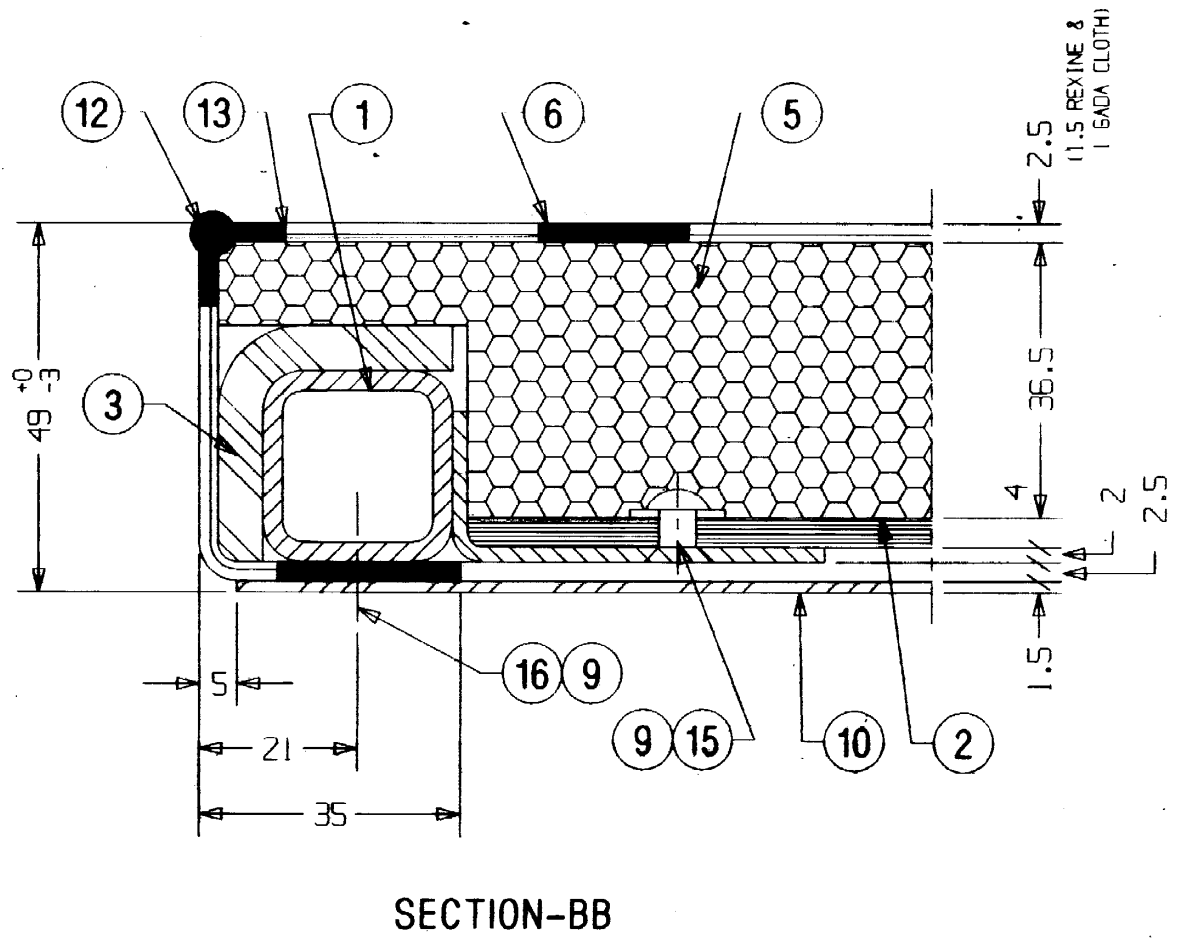


ALT. NO.	ALT. DATE	ZONE	ALTERATIONS	AUTHORITY
a	19/05/99	ALL	1. DRAWING REVISED AS THE DESIGN OF CONDUCTOR'S BERTH CHANGED. 2. DRAWING PROFORMA REVISED & PL NO. ADDED FOR DRAWING.	DIC NO. MD990136
b	18/03/2004	1-15 F-7	1. DESCRIPTION OF ITEM 5 WAS: FOAM RUBBER. 2. ITEM 8 DELETED. 3. NOTE 1 UPDATED.	DIC NO. MD040011



- NOTE:-
- P.U.FOAM TO BE PASTED TO THE COMPREG WITH APPROVED BRAND OF WATER PROOF GLUE.
  - NECESSARY CUT-A-WAYS TO BE DONE TO SUIT AT SITE.
  - THREAD SHOULD BE DYED & BONDED AND THE COLOUR OF THREAD SHOULD MATCH WITH THE COLOUR OF REXINE. THE PITCH OF THE STITCH SHALL BE 2 TO 3 mm.
  - COLOUR OF REXINE TO BE 'BLUE 315' AND STAMPED WITH 'INDIAN RLYS' CREST TO ROSO/SK-68068, ALT.-2.
  - COMPREG TO BE TREATED AGAINST FUNGI, TERMITE, MARINE BORERS & OTHER INSECT ACCORDING TO REQUIREMENTS OF PRESERVATION TREATMENT TO IS: 5539-69, TYPE-IV (COPPER CHROME ARSENIC COMPOSITION).
  - FELT (ITEMS-3 & 4) TO BE PASTED PROPERLY ON THE FRAME WITH APPROVED BRAND OF ADHESIVE.
  - PITCH OF TAPPING SCREWS SHOULD NOT BE MORE THAN 150 m.m.
  - REXINE SHOULD BE STITCHED IN SUCH A MANNER THAT NO FOLDS ARE VISIBLE AT THE CORNERS.
  - COLOUR OF THE L.P. PANEL SHOULD MATCH THE INTERIOR COLOUR SCHEME OF THE COACH.
  - SUITABLE BEEDING SHOULD BE PROVIDED IN REXINE AROUND THE CUT-OUT FOR-BEARING PIECE.



ITEM	DESCRIPTION & DIMENSIONS	QTY	IS: 7173-89	IS: 740-77	REMARKS
17	TAPPING SCREW ISO 1481 ST 3.2X16-F	4	IS: 7173-89	NIL	MDTS 057
16	TAPPING SCREW ISO 1481 ST 4.2X20-F	39	IS: 7173-89	NIL	MDTS 057
15	CSK. HD. RIVET 5X12	11	IS: 2907-64 TAB-3.F16.3	IS: 740-77 64430	NIL
14	REXINE PACKING 1.5X100X540	4	NIL	ROSO/SPEC. C-9503, TYPE-II	%
13	SEWING THREAD L=5000	1	NIL	IS: 4229-92 6.6. VAR. L2	#
12	COTTON THREAD Ø 3X3000	1	NIL	IS: 1720-78	NIL
11	NAME PLATE	1	CC61188	NIL	NIL
10	L.P. PANEL 1.5X540X1540	1	NIL	ROSO/SPEC. C-9602	®
9	PUNCHED WASHER B 5.5	44	IS: 2016-67	IS: 737-86 31000 H2	NIL
8	GABA CLOTH 775X1800	1	NIL	IS: 1094-76 VAR.-3	NIL
7	WEARING ANGLE	2	AE61224	NIL	NIL
6	REXINE 1.5X775X1800	1	NIL	ROSO/SPEC. C-9503, TYPE-II	%
5	P.U.FOAM	1	CC61295	NIL	NIL
4	FELT 6X53X1470	1	NIL	IS: 1719-88 TAB-I, MEDIUM	NIL
3	FELT 6X53X2397	1	NIL	IS: 1719-88 TAB-I, MEDIUM	NIL
2	COMPREG PANEL 4X478X1478	1	NIL	ROSO/SPEC. C-9407, TYPE-I	*
1	FRAME	1	CC61240	NIL	NIL

WELD LENGTH	ITEM	DESCRIPTION & DIMENSIONS	QTY	DETAIL DRG	MATL. & SPEC.	REMARKS
NIL	M	GROUP SEAT & UPPER BERTHS		SUPERSEDES: CC61258	ALT a	
WEIGHT	FILE	/nash/furni/sh/mjkr/cc61258b.prt (2D)				
22.580	KG					
S. AREA						
NIL	M <sup>2</sup>					
LENGTH/DIA						
NIL	M					
WIDTH/THICK.						
NIL	M					
HEIGHT						
NIL	M					

ANY MANUAL ALTERATION SHALL AUTOMATICALLY RENDER THIS DRAWING INVALID.      DETAIL DRGS STARTING WITH "LI" ARE INTERNAL REFERENCE LISTS ONLY AND ARE NOT FOR ISSUE.

FOR UNTOLERANCED DIMENSIONS REFER MDG0008      DATE OF FIRST ISSUE      03/06/1994      CGM BY