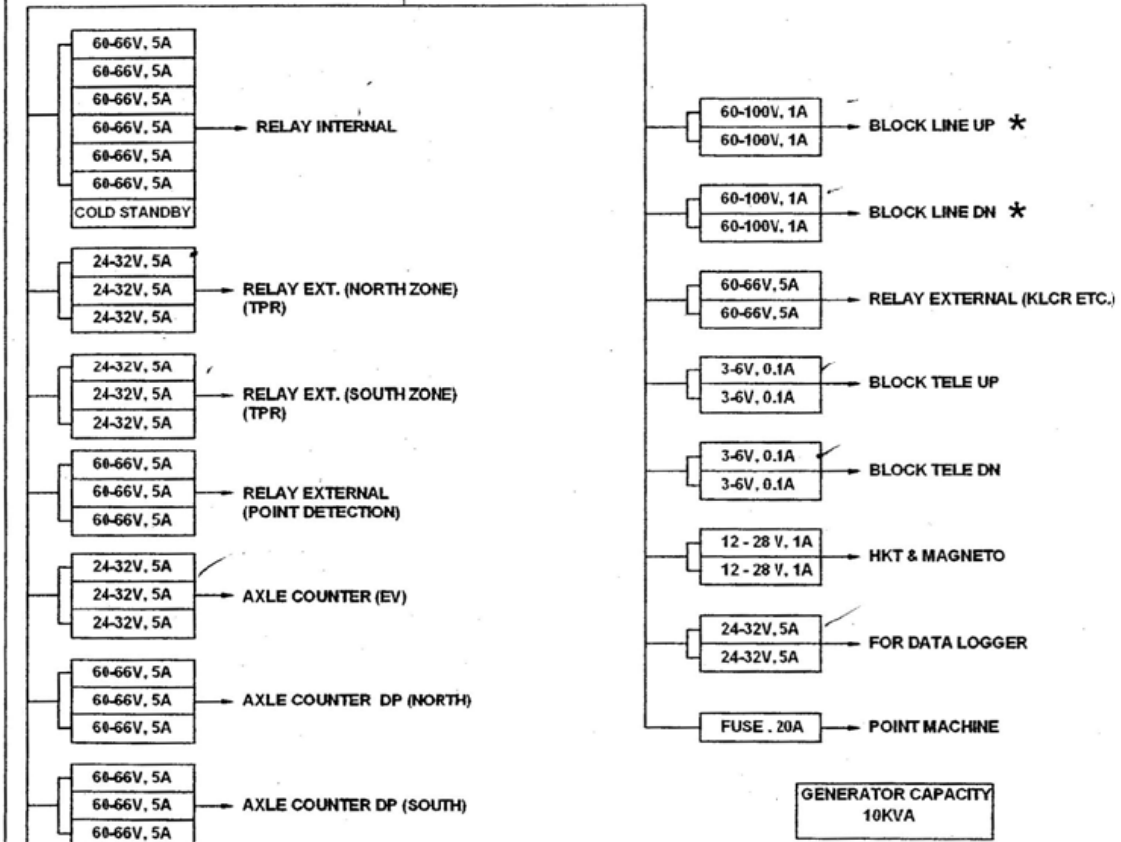
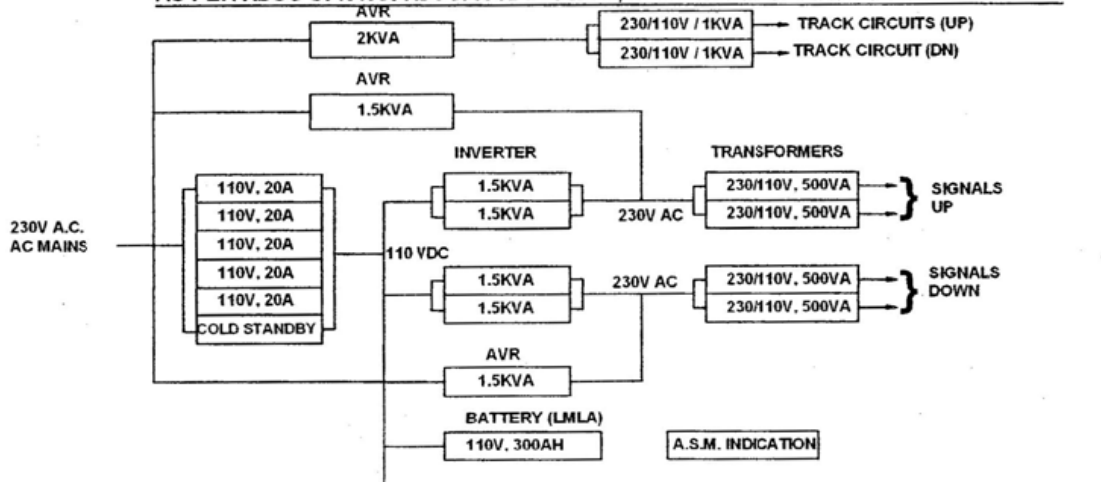


IPS FOR UP TO 6 LINES WITHOUT AFTC NON RE / RE AREA
AS PER RDSO SPN NO. RDSO/SPN/165/ 2004, REF: DRG. NO. SDO/IPS/SMPS/PI/NRE/003



NOTES:-

- * 1) DC-DC CONVERTER MODULE FOR BLOCK LINE UP & DN SHALL BE OF RATING 60-100V, 1A & 12-40V, 1A IN THE RATIO 1:1 AND IF THE SECTION IS PROVIDED WITH BPAC USING BLOCK PANEL THEN BLOCK LINE UP & DN NOT REQUIRED.
- 2) APPROXIMATE CABLE DISTANCE BETWEEN IPS ROOM & ASM PANEL 35 METERS.
- 3) APPROXIMATE CABLE DISTANCE BETWEEN IPS ROOM & BATTERY BANK 25MTRS.

DRAWN BY SE(D)	CHECKED BY ESTE/STS	CHECKED BY Dy. S.T.E. (P & D)	APPROVED BY DT: C.S.T.E. / Prof.	WEST CENTRAL RAILWAY SIGNAL & TELECOMMUNICATIONS IPS FOR UP TO 6 LINES WITHOUT AFTC FOR RE / NON RE AREA DRG. NO. WCRN-HQ/PS/LINE/PI/0001
--------------------------	-------------------------------	-----------------------------------------	-----------------------------------------------	--------------------------------------------------------------------------------------------------------------------------------------------------------------