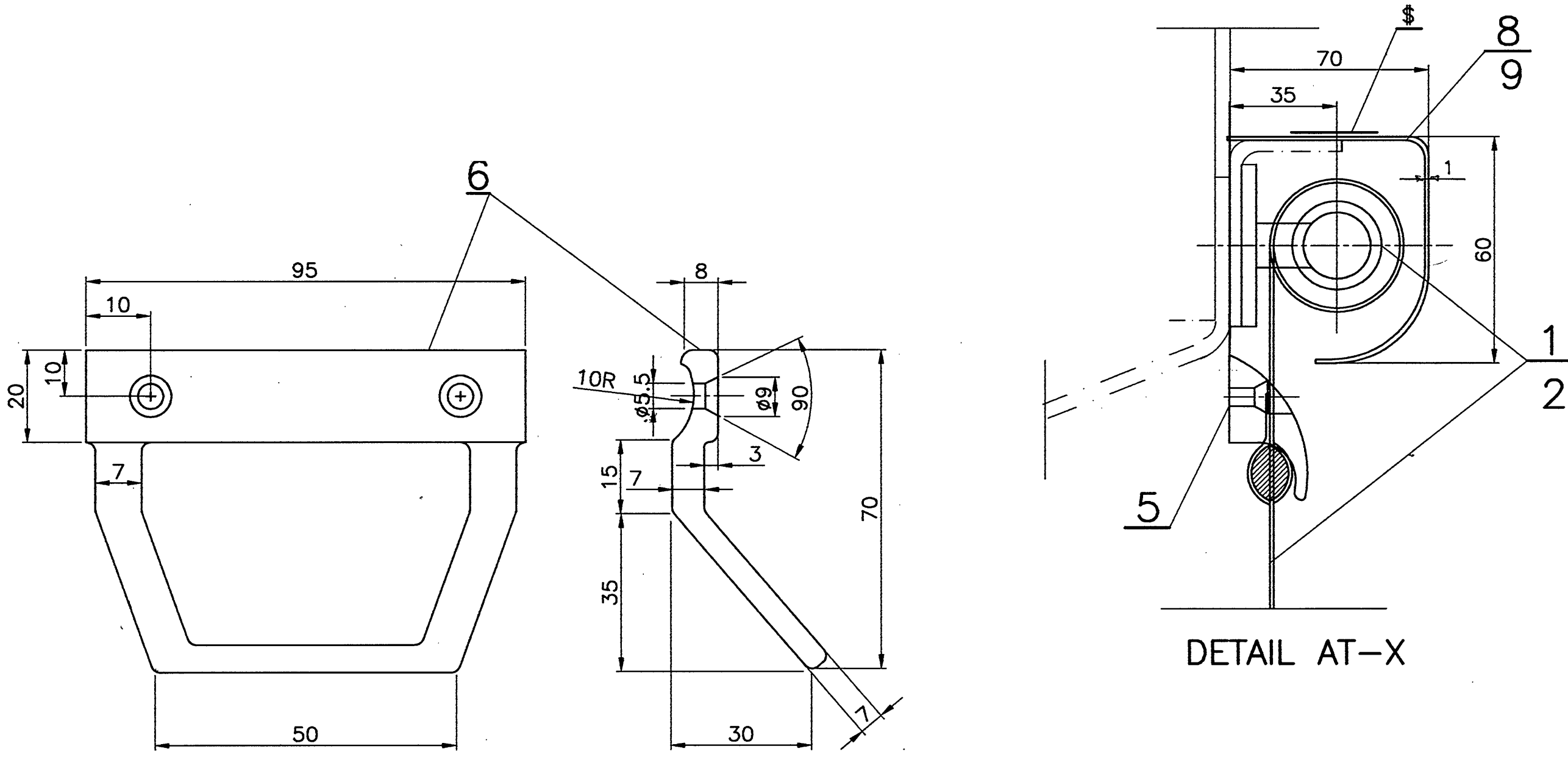
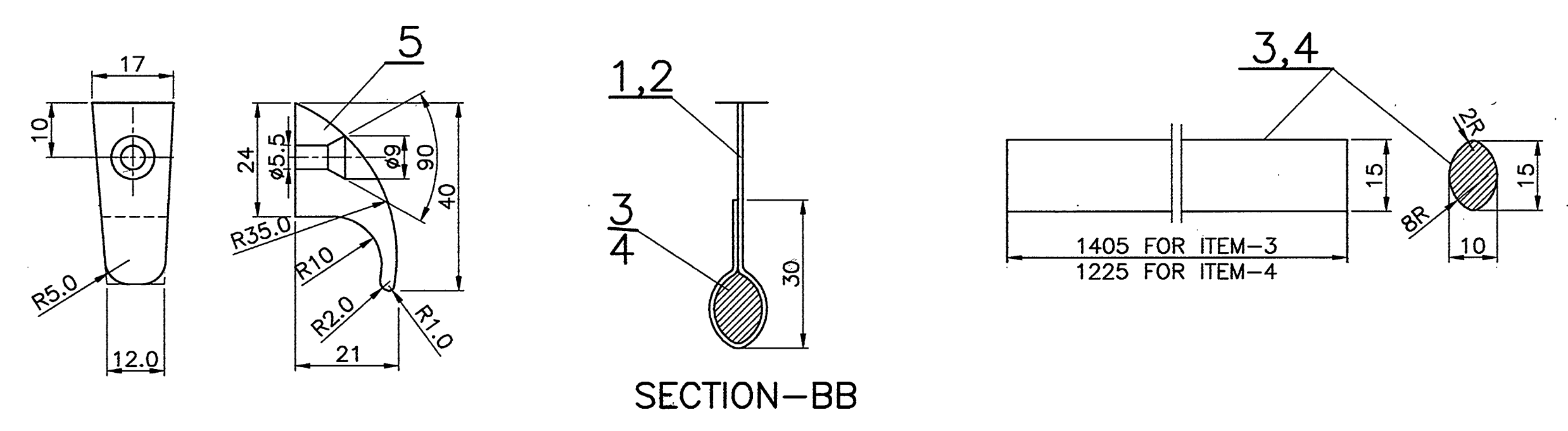
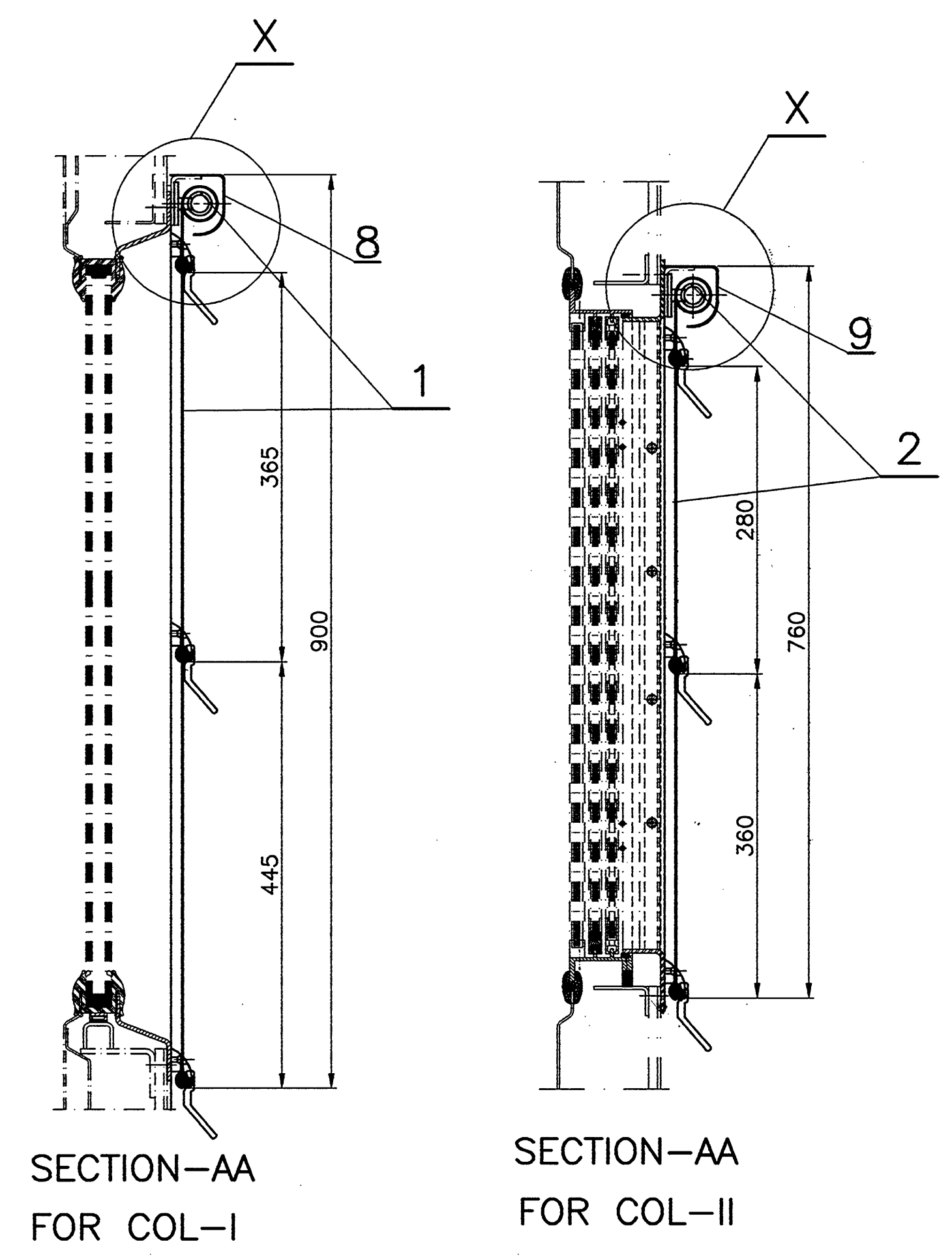
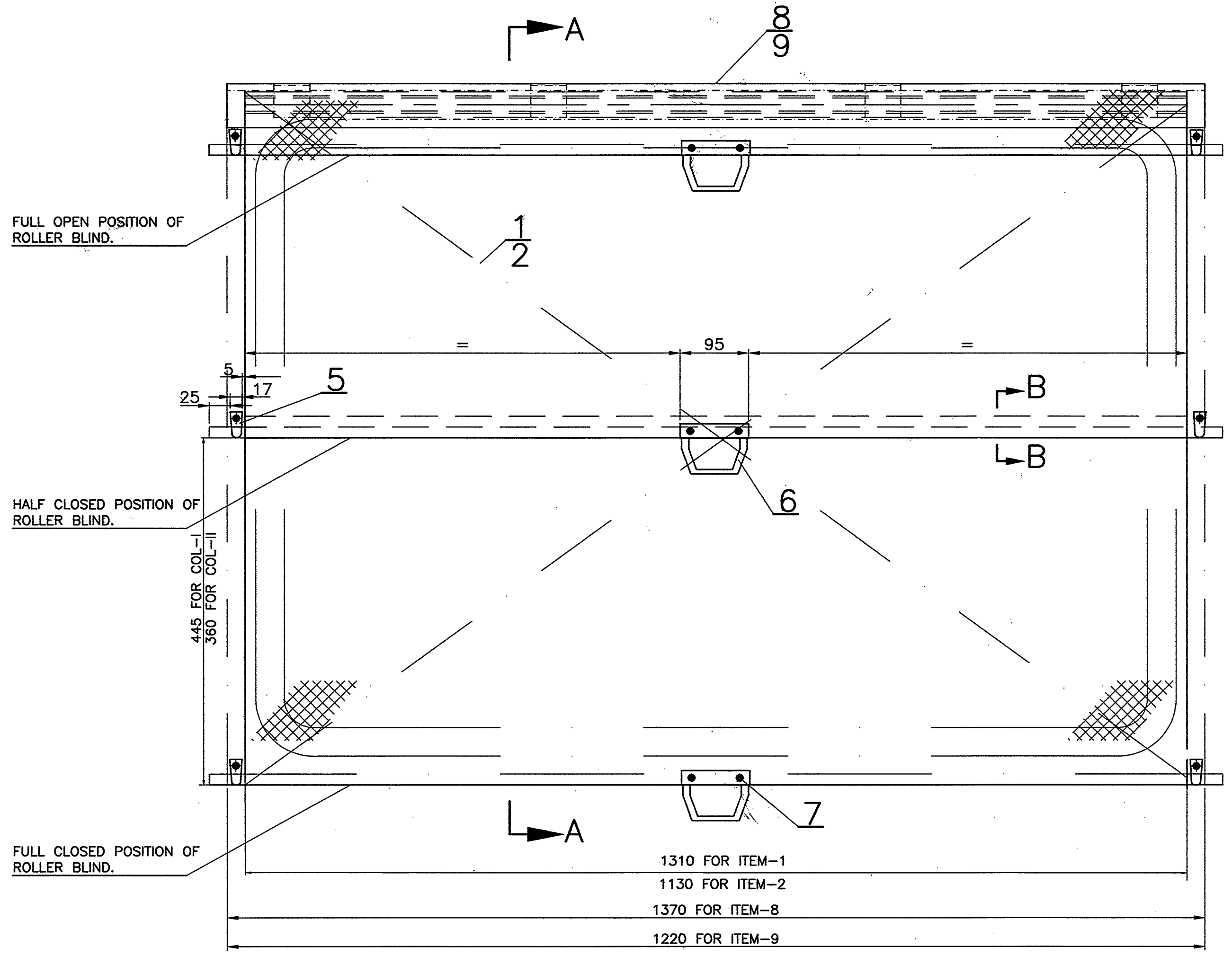


▽ ROUGH MACHINED	① ROUGH CLEANING	ALTERATIONS
▽▽ FINISH MACHINED		(a) 5/2002
▽▽▽ FINE FINISH MACHINED		ITEMS-8,9 & NOTE - 2 TO 4 ADDED.
		SSE/D SME/DSD
		(b) 7/2003
		DRG. REVISED.
		<i>[Signature]</i> 01-07
		SSE/D SME/DSD



NOTE

- # 1 ROLLER BLIND SHALL BE MADE OF KINITTED NYLON FABRIC OR SIMILAR MATERIAL.
- 2 THE SUPPLIER HAS TO SUBMIT THE DESIGN DETAILS & DRAWING FOR APPROVAL BY ICF DESIGN DEPT. ALONG WITH THE TENDER.
- 3 A PROTOTYPE HAS TO BE SUBMITTED FOR APPROVAL BY DESIGN DEPT. BEFORE REGULAR SUPPLY.
- 4 THE DRAWING IS INDICATIVE OF GENERAL ARRANGEMENT. THE SUPPLIER HAS TO DESIGN SUITABLE ROLLER MECHANISM.
- 5 MANUFACTURER'S NAME, ADDRESS, AND DATE OF MANUFACTURE SHOULD BE CLEARLY INDICATED AT THE LOCATION MARKED THUS \$

NO.	OFF	DESCRIPTION & DIMENSIONS	ITEM	REF. DRGS.	MAT. & SPEC.	REMARKS
1	-	PELMET	10			
-	1	PELMET	9			ALUMINIUM POWDER COATED TO OFF WHITE COLOUR SHADE.
2	2	CSK.HD.RIVET $\phi 5 \times 26$	8	IS:2907-64 IS:740-77 T-3,F-3	IS:737-86 3100Q.H2	
1	1	HANDLE	7		F R P OR SIMILAR	
6	6	STOPPER 17x21x40	6		F R P OR SIMILAR	
1	-	SUPPORTING ROD 10x15x1225	5		F R P OR SIMILAR	
-	1	SUPPORTING ROD 10x15x1405	4		F R P OR SIMILAR	
1	-	ROLLER BLIND WITH ROLLER MECHANISM	3		#	COMMERCIAL QUALITY
-	1	ROLLER BLIND WITH ROLLER MECHANISM	2		#	COMMERCIAL QUALITY
NO. OFF		DESCRIPTION & DIMENSIONS	ITEM	REF. DRGS.	MAT. & SPEC.	REMARKS
IV	III	II	I	GROUP: GROUP DESCRIPTION		
SUPERSEDED BY:					SUPERSEDED BY:	
WGSCZACJ2-5-4-206 ALT 2					SCALE SSE/D	
WINDOW ROLLER BLIND WITH ROLLER MECHANISM					1:1 CHD	
					1:5 TRD	
					CAD D.Senthilkumar	
					ALT a b	
ASSEMBLY DRAWINGS					INTEGRAL COACH FACTORY CHENNAI-38	
CAD FILE: C:\MD-CAD\251\5-4\206-SB00.DWG					WGSCZACJ2-5-4-206	
WGSCZACJ2		DATE OF LATEST ALT. 7.7.03		DATE OF FIRST ISSUE 12-04-2002		SHEET 1 OF 1
DATA CODE 251		INDIAN RAILWAY STANDARDS		SME/DSD		WGSCZACJ2-5-4-206