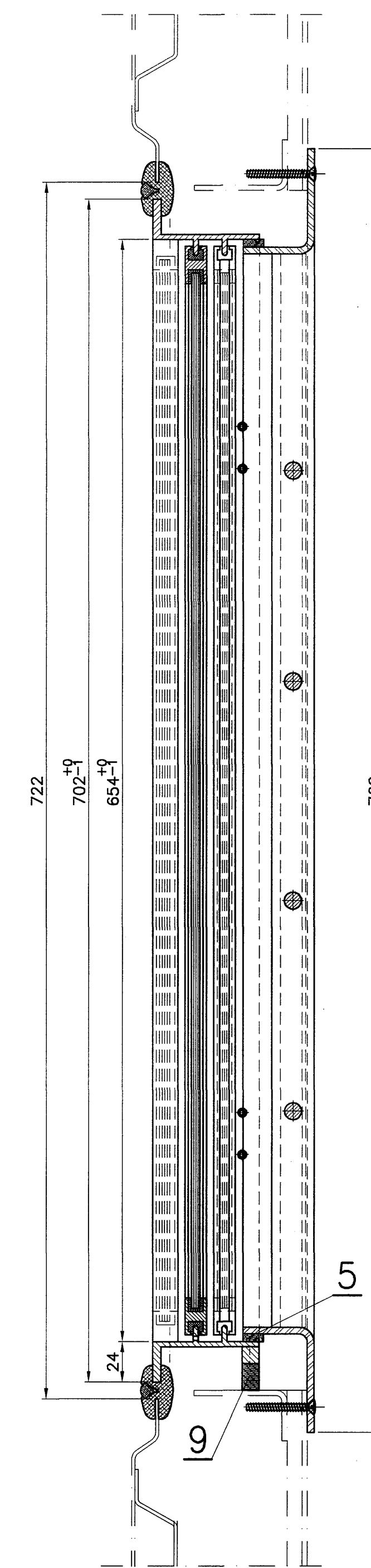
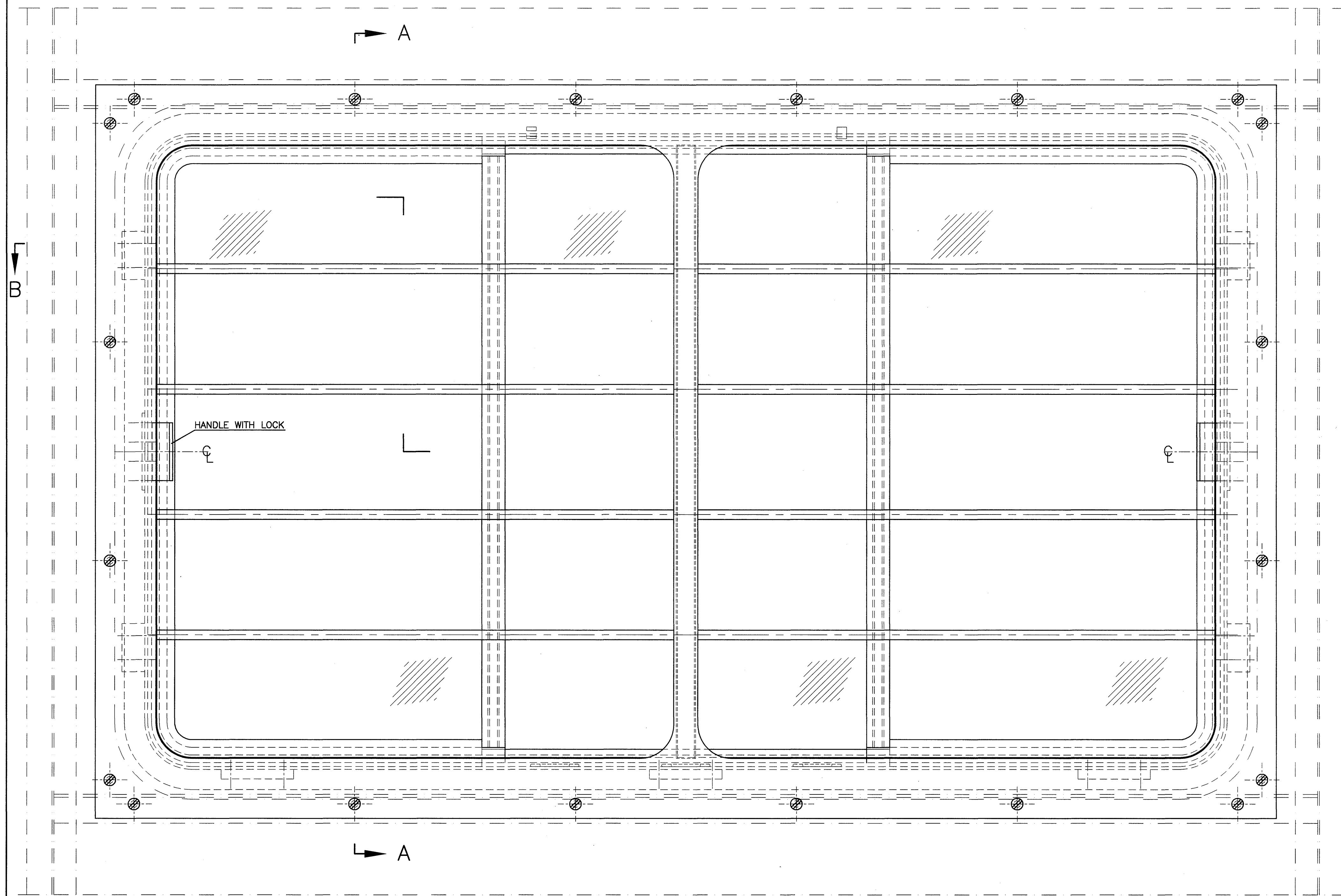
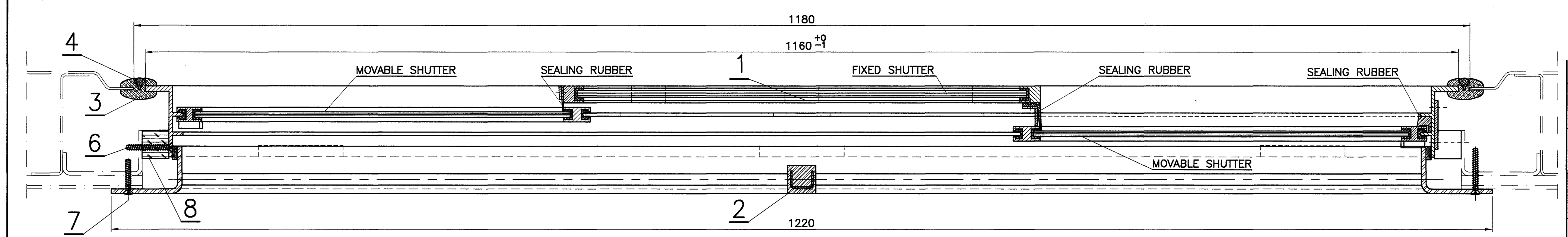


▽ ROUGH MACHINED	⊕ ROUGH CLEANING	ALTERATIONS
∇ FINISH MACHINED		⊕ 5/2002
∇∇ FINE FINISH MACHINED		RM LENGTH OF ITEMS-3,4&5 ALTD FROM 3500,3500&2500 TO 3800,3800&3800 RESPLY.
		sd/- sd/- SSE/D SME/DSD
		⊕ 01/2003
		RM SIZE FOR ITEM-5 ALTD FROM 5x8x3800 TO 6.5x8x3800 & MAT. SPEC ALTD FROM NATURAL RUBBER TO SPONGE RUBBER. DRG. REVISED AS PER DETAIL.
		sd/- sd/- SSE/D SME/DSD
		⊕ 07/2004
		SIZE OF ITEM-7 ALTD FROM M6x30 TO M5x25 AND MATL.SPEC ADDED. FOR ITEM-5 RM SIZE ALTD. FROM 6.5x8x3800 TO 6x12x3800.
		SSE/D SME/DSD



SECTION-AA



SECTION-BB

NOTE:-
1. FOR UNTOLERANCED DIMENSIONS REFER DRG.NO ICF/STD-9-0-001.

3	PACKING	12x15x75	9	RDSO/SPEC C-9407 TY-II	PLAIN (OFFCUT MAY BE USED)
4	PACKING	23x23x50	8	RDSO/SPEC C-9407 TY-II	PLAIN (OFFCUT MAY BE USED)
20	RAISED CSK. HD. SCREW	M5x25	7	IS:8911-78 4.8 T-1&2 IS:1367(PART 14) 1984 GR-A2-70	STAINLESS STEEL
8	CSK. HD. SCREW	M5x40	6	IS:1365-78 4.8 T-1&2	GALVD.
1	SEALING RUBBER	6x12x3800	5	SPONGE RUBBER	
1	SEALING RUBBER	L=3800	4	ICF/VNR 5-4-202	ITEM-2
1	FIXING RUBBER	L=3800	3	ICF/VNR 5-4-202	ITEM-5
1	FRP INNER FRAME		2	WGSCZJ2 5-4-204	
1	BODYSIDE WINDOW ASSY		1	WGSCZJ2 5-4-203	

NO.OFF	DESCRIPTION AND DIMENSIONS	ITEM	REF.DRG	MAT & SPEC.	WEIGHT/UNIT	REMARKS
IV III II I	GROUP: 4-2					SUPERSEDED BY: SUPERSEDES: WGSCZJ2-5-4-202 Alt b/-
<p style="text-align: center;">BODY SIDE WINDOW ARRGT. FOR JAN SHATABDI COACHES (1220x762 WIDE WINDOWS)</p>						SCALE 1:2.5 SSE CHD CAD DRN ALT
<p style="text-align: center;">INDIAN RAILWAY STANDARDS</p>						INTEGRAL COACH FACTORY CHENNAI-38
WGSCZJ2	CAD FILE:- C:\MD-CAD\252\5-4\202-SC00.DWG.	DATA CODE NO	252	SHEET	1 OF 1	WGSCZJ2-5-4-202

WGSCZJ2-5-4-201	
ASSEMBLY DRAWINGS	
8.7.04	18.4.2002
ALT	DATE OF LATEST ALT. DATE OF FIRST ISSUE
DY.CME/D	SME/DSD