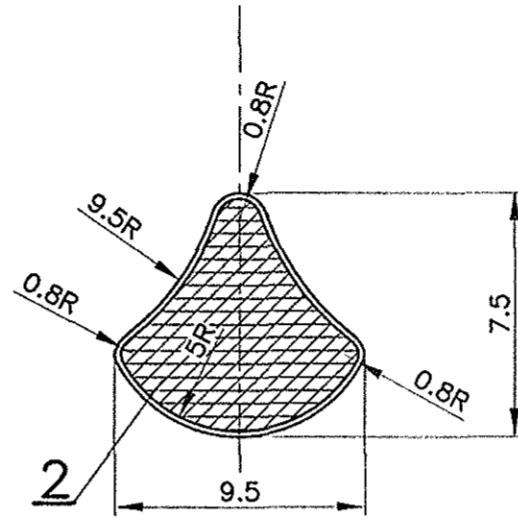
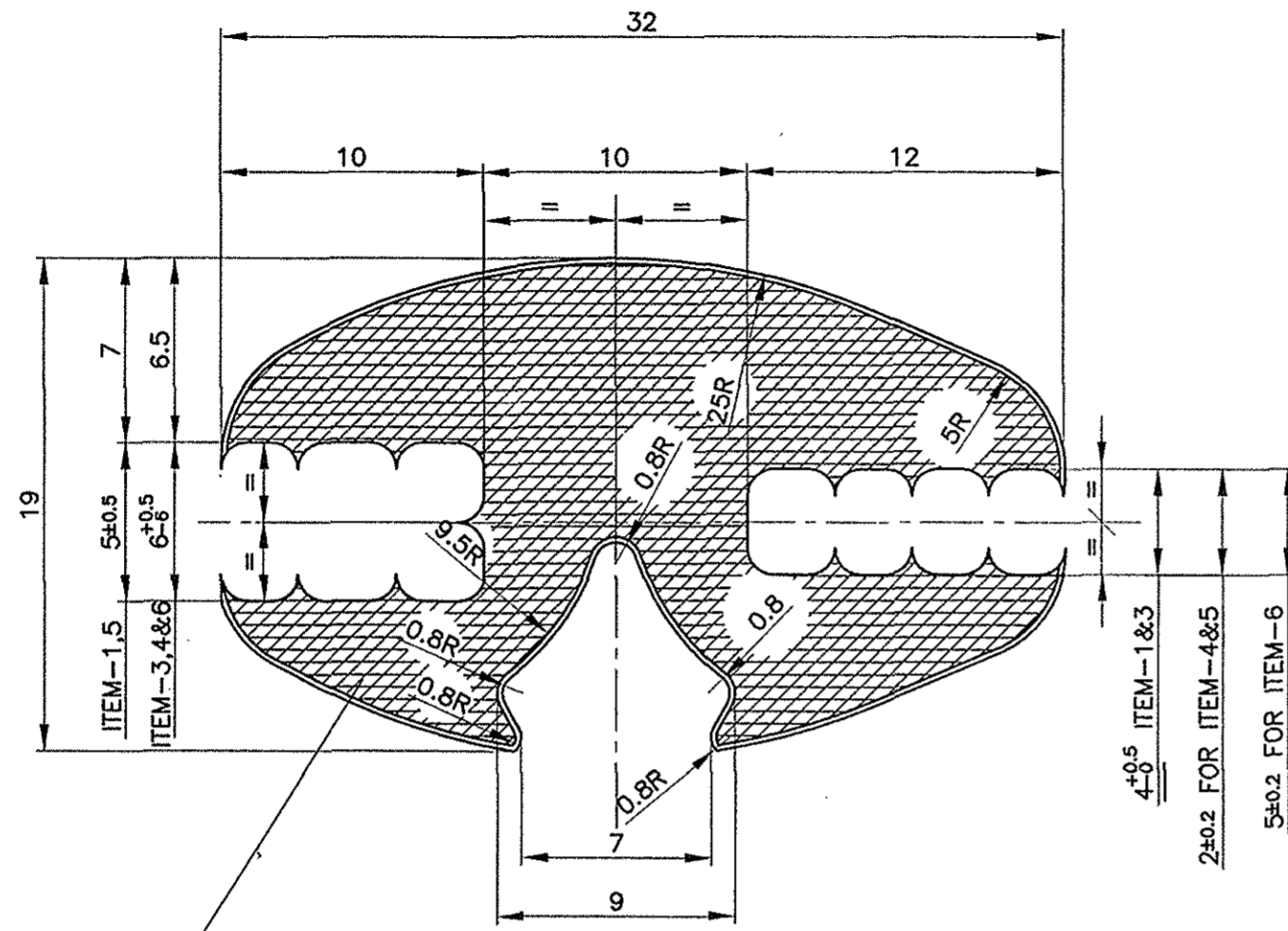


ICF/VNR-5-4-202



6,5,4,3,1

- ⊙ } EPDM RUBBER, COLOUR-BLACK  
SHORE HARDNESS- 45±5
- # } EPDM RUBBER, COLOUR-BLACK  
SHORE HARDNESS- 65±5  
GLASS VALUE- 3 TO 5  
Ra VALUE(IN MICRONS)- 0.25 TO 0.5  
THE OUTER SURFACE SHALL BE SMOOTH & SHINE.

② 01/2008 DRAWING REDRAWN IN CAD. SSE/D AME/SME	▽ ROUGH MACHINED ▽▽ FINISH MACHINED ▽▽▽ FINE FINISH MACHINED	① ROUGH CLEANING ⑧ CHAMFERED	ALTERATIONS ⑥ 6/96 ITEM-4 ADDED -sd- 19/6/96 ASD -sd- 19/6/96 SME/DSS
--	--	---------------------------------	---

③ 03/02 ITEM-5 ADDED. -sd- 4/3/02 SSE/D -sd- 4/3/02 SME/DSD	④ 05/2011 FOR ITEMS-1 TO 5 REMARKS REVISED. SSE/D SME/DSS	⑤ 08/12 ITEM-6 ADDED. SSE/D SME/DSS	⑦ 06/2013 FOR ITEM-6 WINDOW FIXING DIMENSION ALTD FROM 5mm TO 8mm SSE/D SME/DSS
--	--	---	---

-	FIXING RUBBER	6				#
-	FIXING RUBBER	5				#
-	FIXING RUBBER	4				#
-	FIXING RUBBER	3				#
-	SEALING RUBBER	2				•
-	FIXING RUBBER	1				#
QTY	DESCRIPTION & DIMENSION	ITEM	REF.DRGS	MAT.SPEC	WEIGHT/UNIT	REMARKS

2	1	GROUP: 5-4	SUPERSEDED BY: SUPERSEDES:ICF/VNR-5-4-202 ALT.e/-			
SCALE		SSE/D	C.RAJENDIRAN			
1:4		CHD	C.RAJENDIRAN			
		ALTD	C.RAJENDIRAN			
		DRN	C.RAJENDIRAN			
Alpha Alt:- f						

DATA CODE NO. 109	INDIAN RAILWAY STANDARDS	SHEET 1 OF 1	INTEGRAL COACH FACTORY CHENNAI-38
----------------------	-----------------------------	-----------------	--------------------------------------

ICF/VNR-5-8-201	18/10/94	
ICF/VNR-5-5-201		
ICF/VNR-5-4-201		
ASSEMBLY DRAWINGS		
13-6-2013	18/10/94	
2	Num. ALT.	AME/SME
	DATE OF LATEST ALT	DATE OF FIRST ISSUE