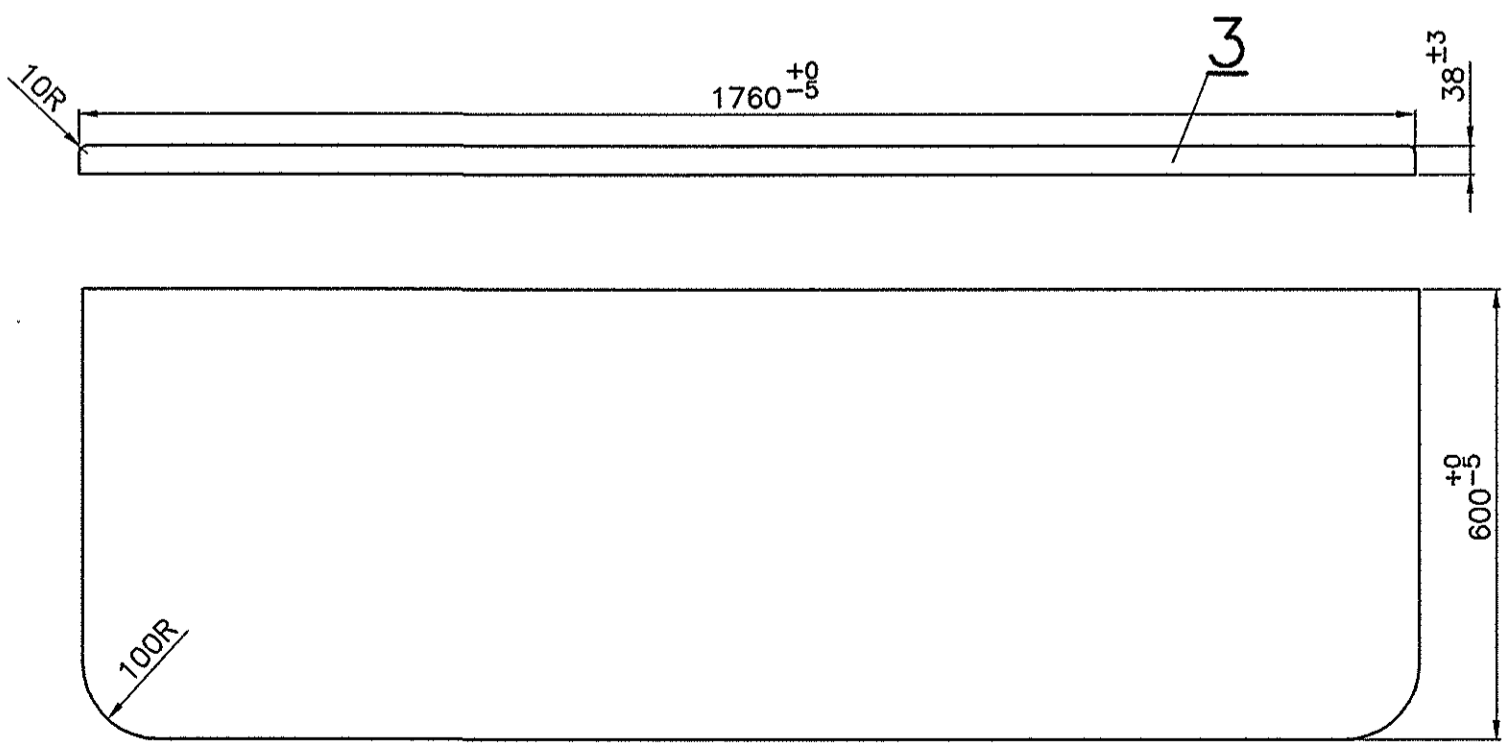
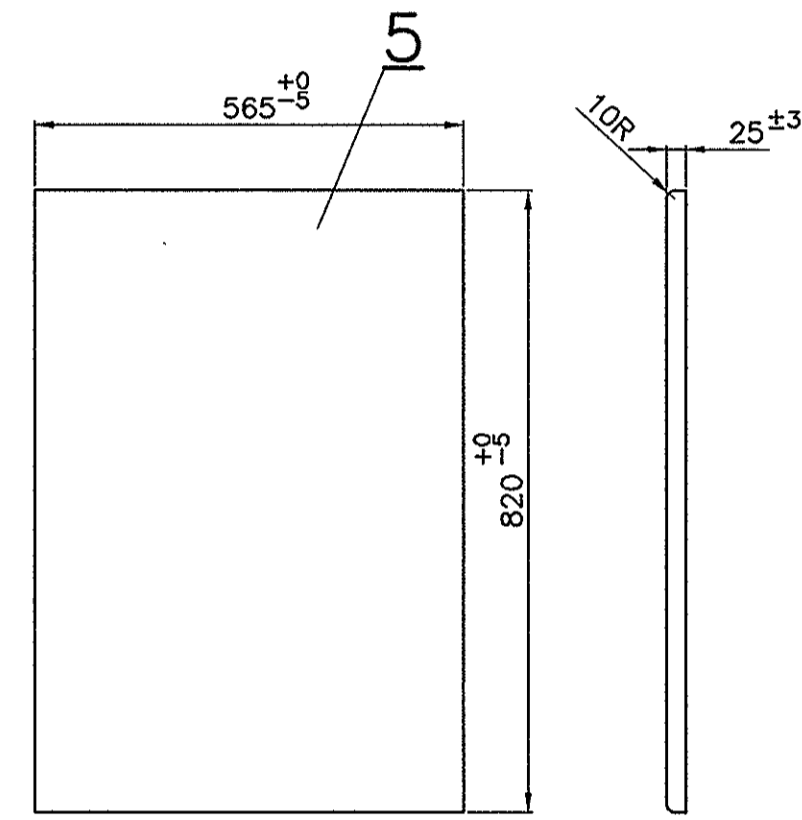
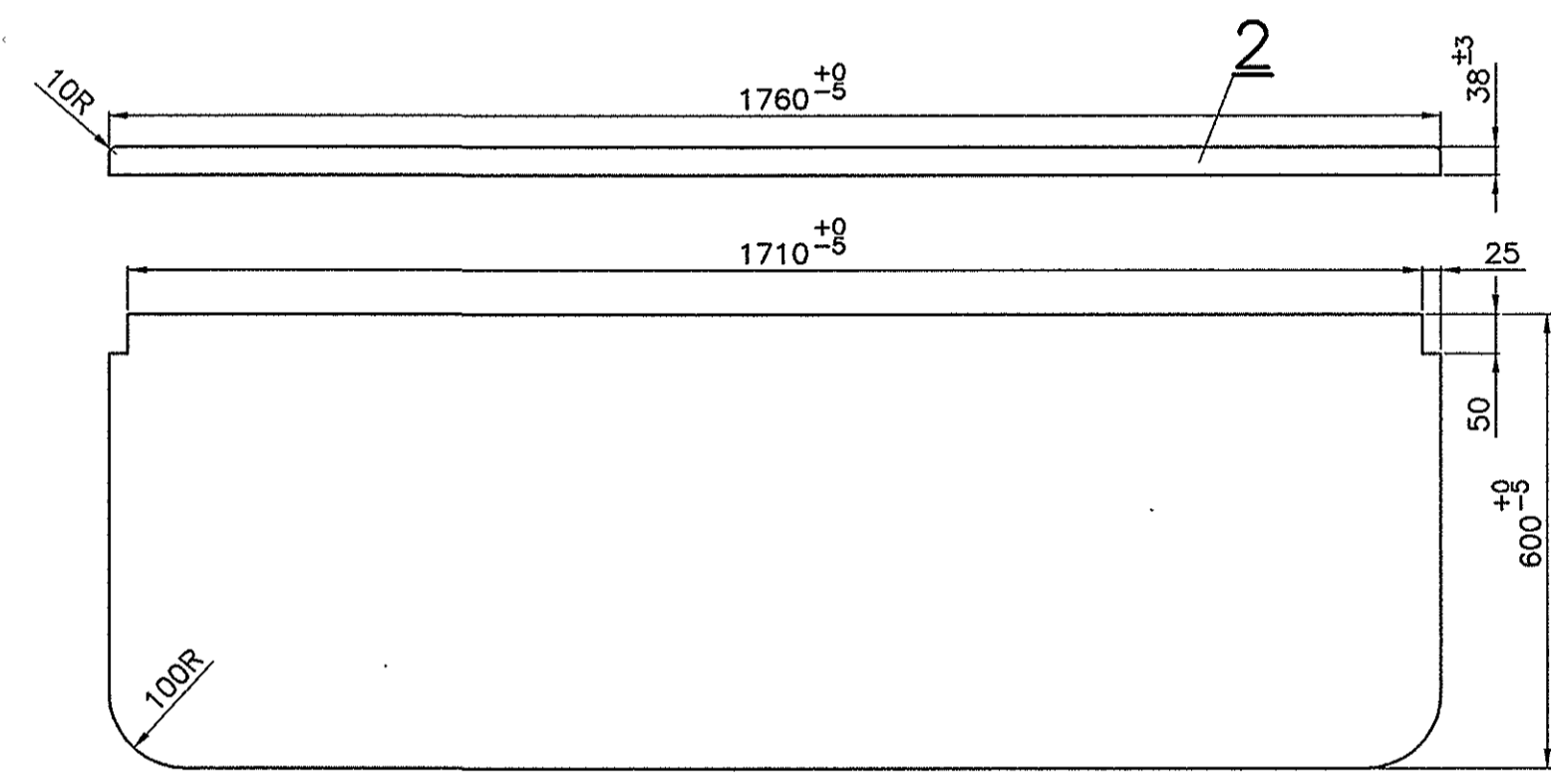
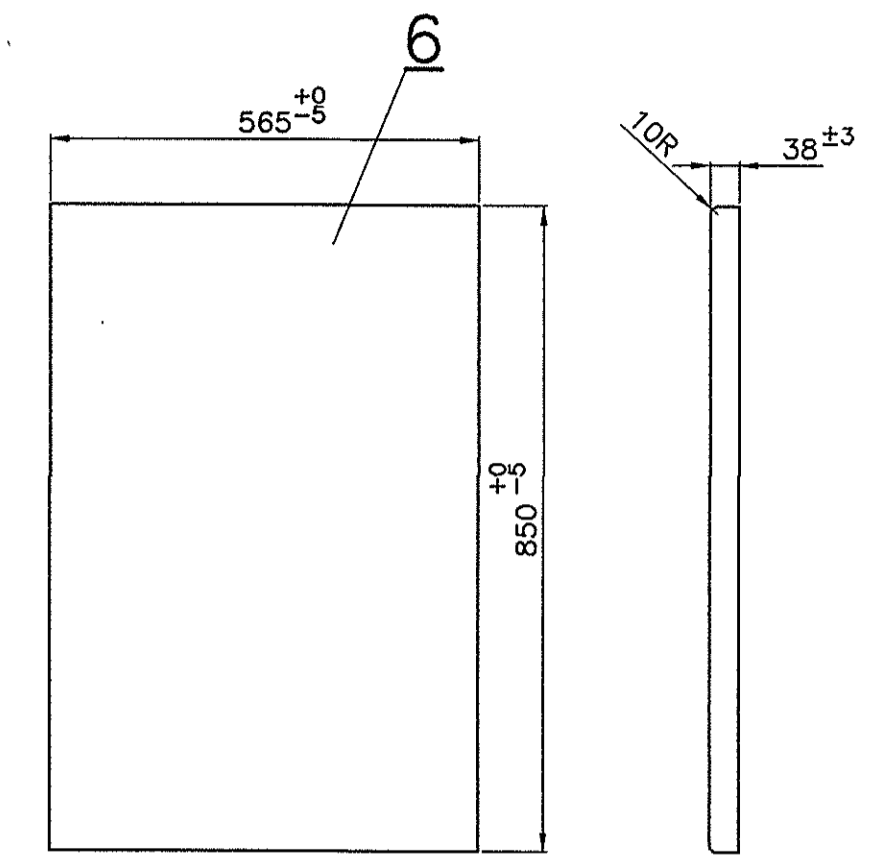
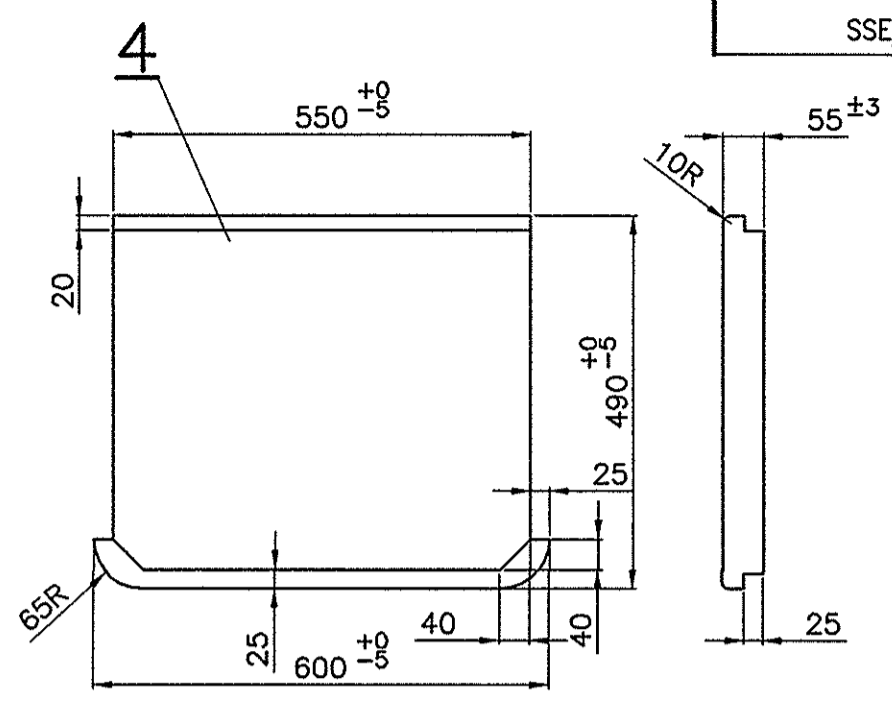
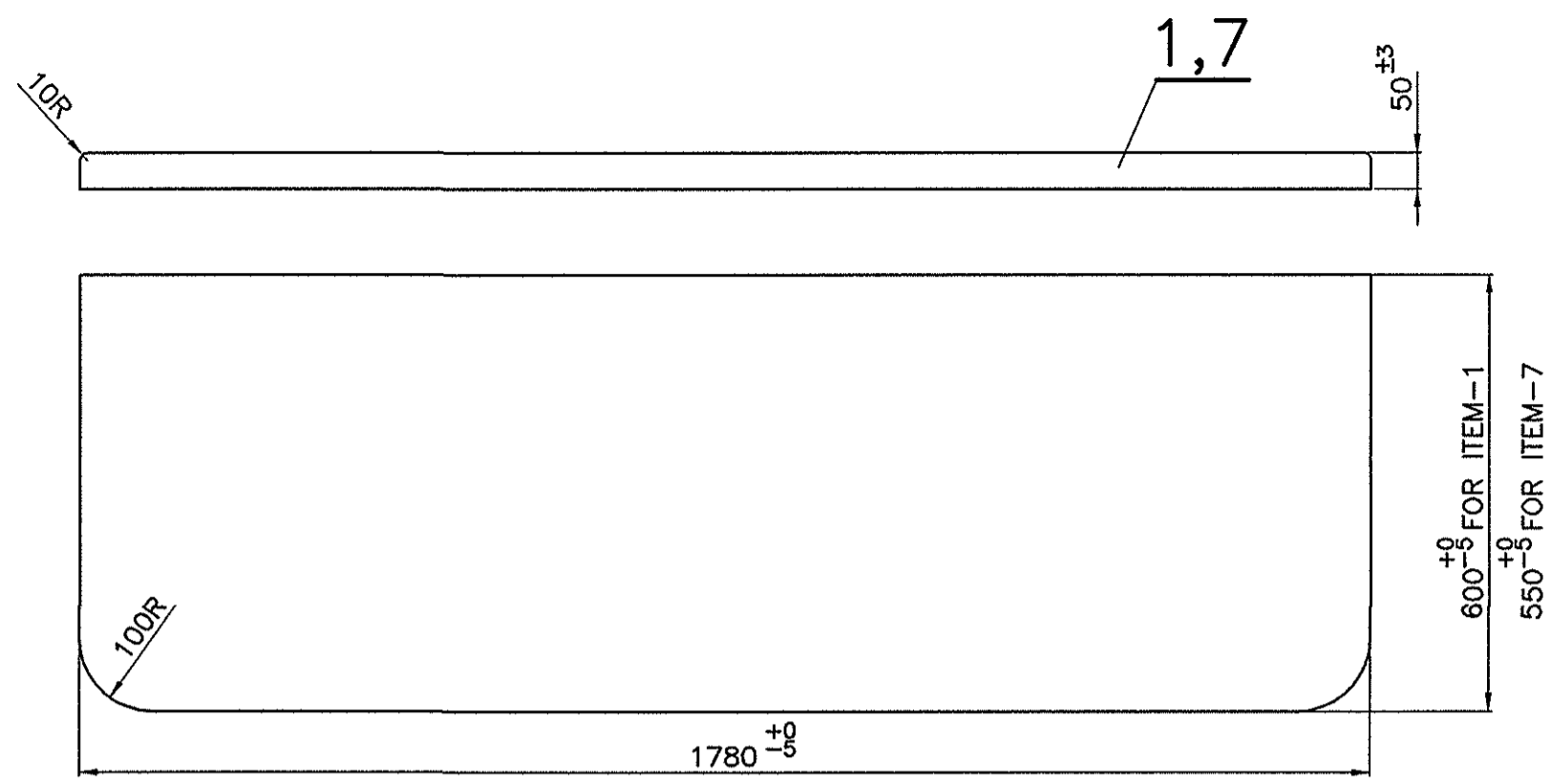


②	06/2008	▽ ROUGH MACHINED	Ⓜ ROUGH CLEANING	ALTERATIONS
QTY. FOR ITEM-2&3 IN COL-II ALTD FROM 18&27 TO19&28 RESPLY.		▽▽ FINISH MACHINED		① 06/2008
		▽▽▽ FINE FINISH MACHINED		ITEM-7 & COL-II ADDED. QTY. FOR SCN11 ADDED IN COL-II.
SSE/D	SME/DSD			sd/- SSE/D sd/- SME/DSD
				Ⓜ 10/2009
				NOTE-4 ADDED.
				sd/- SSE/D sd/- SME/D
				Ⓝ 07/2011
				FOR ITEMS-1 TO 7 DENSITY ADDED IN REMARKS COL. NOTE-4 DELETED.
				SSE/D SME/DSD



NOTE:-

- * 1. MANUFACTURER NAME, MONTH & YEAR OF MANUFACTURE TO BE STAMPED ON ITEMS 1 TO 6 WITH THE USE OF INDELIBLE INK.
- # 2. PU FOAM SPEC TO RDSO/2007 CG-4 OR DENSIFIED THERMAL BONDED POLYESTER BLOCKS TO SPEC RDSO CK-607.
- 3. PU FOAM/DENSIFIED THERMAL BONDED POLYESTER BLOCKS SHOULD BE PROCURED FROM RDSO APPROVED SOURCES ONLY.
- ④ 4. THE PROPERTIES FOR ITEM 1,4&6 SHALL BE AS PER CLAUSE 3.1(c) OF RDSO/SPEC.C-K607.

19	-	CUSHION FOR TRANSVERSE SEAT 50x550x1780	7				
18	18	CUSHION FOR LONG. LOWER BERTH 38 x 565 x 850	6				
18	18	CUSHION FOR SINGLE SEAT BACKREST 25 x 565 x 820	5				
18	18	CUSHION FOR SINGLE SEAT 55 x 490 x 600	4		#		DENSITY 60 Kg/m ³
28	27	CUSHION FOR UPPER BERTH 38x600x1760	3				
19	18	CUSHION FOR MIDDLE BERTH 38x600x1760	2				
-	18	CUSHION FOR TRANSVERSE SEAT 50x600x1780	1				

SCN ₆ -6-1-608	
SCN ₆ -6-1-606	
SCN ₆ -6-1-604	
SCN ₆ -6-1-602	
ASSEMBLY DRAWINGS	
30-07-2011	23-11-2002
2	ALT.
DATE OF LATEST ALTERATION	DATE OF FIRST ISSUE
	SME/AME

NO. OFF		DESCRIPTION & DIMENSIONS	ITEM	REF. DRGS.	MAT.& SPEC	WEIGHT/UNIT	REMARKS	
IV III II I		GROUP: SEATS & BERTHS					SUPERSEDED BY:	
PER COACH		CUSHIONING MATERIAL FOR SCN					SUPERSEDES: SCN ₆ -6-1-610 ALT m/2	
SCN ₁₁		CAD FILE: C:\MD-CAD\201\6-1\610-SN02.DWG					SCALE: 1:10	
SCN ₁₂		DATA CODE No. 201					SSE/D CHD	
		INDIAN RAILWAY STANDARDS					1:5 ALT G.Siva mohan Reddy	
		SHEET 1 OF 1					DRN G.K.Kabilaraj	
							ALT I m n	
							INTEGRAL COACH FACTORY CHENNAI-38	
							SCN ₆ -6-1-610	