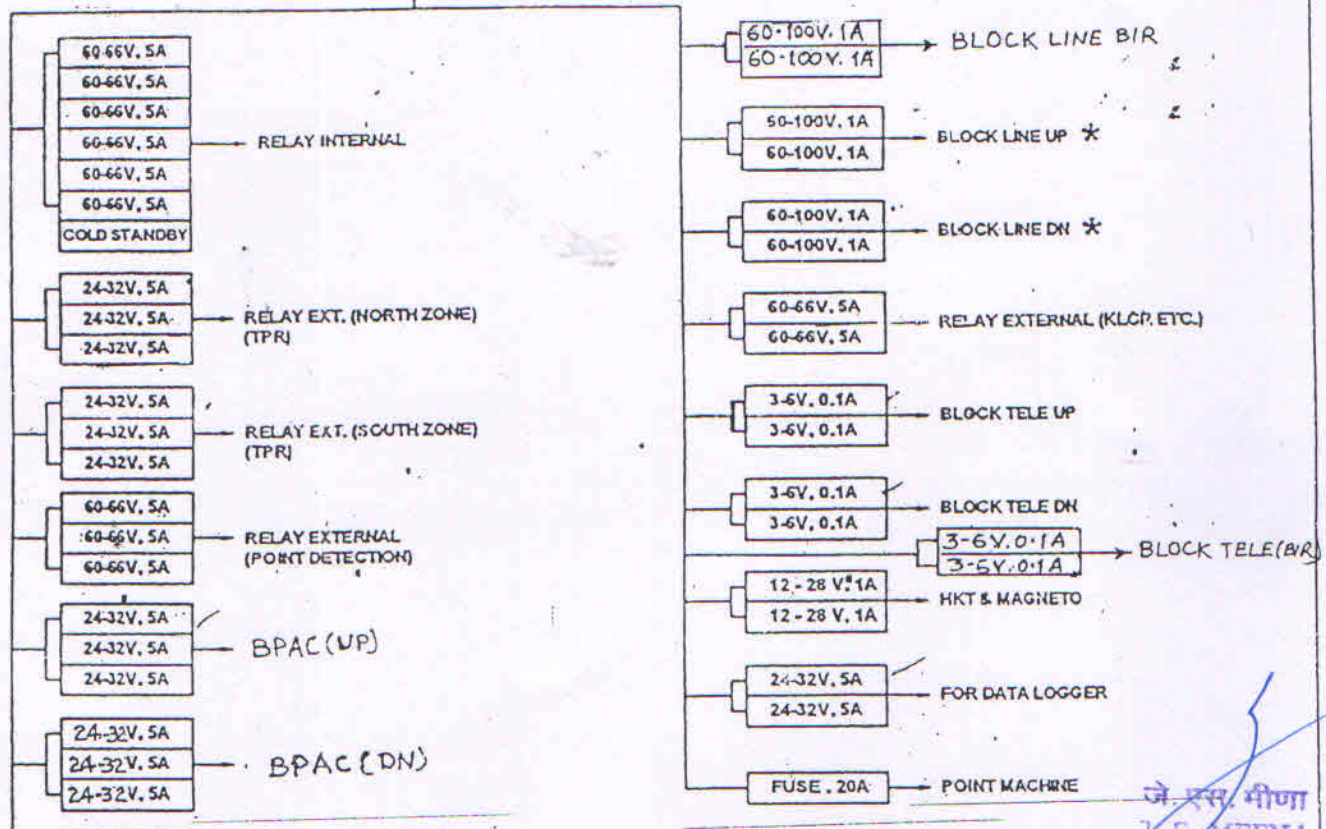
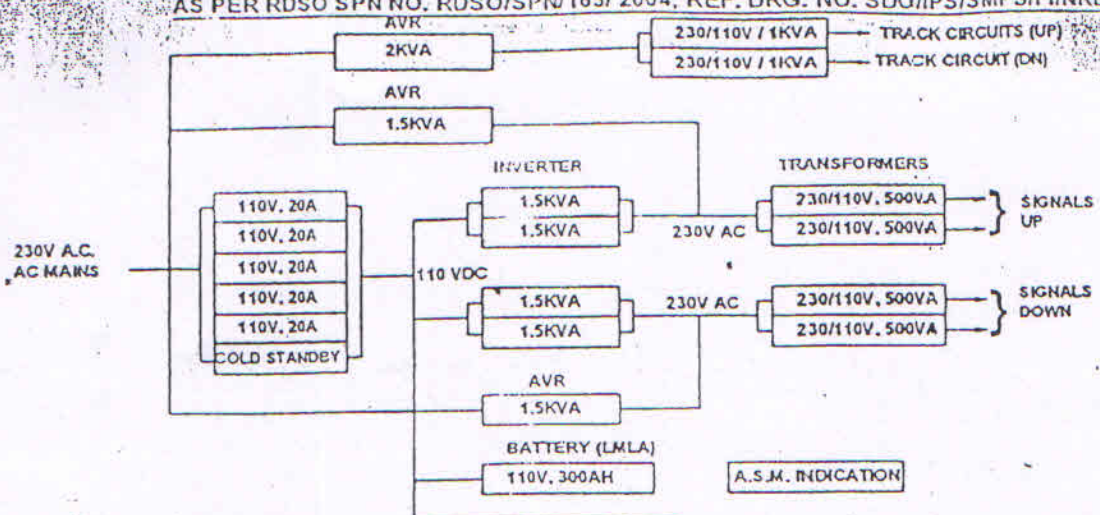


IPS FOR UP TO 6 LINES WITHOUT AFTC NON RE / RE AREA
AS PER RDSO SPN NO. RDSO/SPN/165/ 2004, REF: DRG. NO. SDO/PS/SMPS/PI/NRE/003



GENERATOR CAPACITY
10KVA

- NOTES:-
- * 1) DC-DC CONVERTER MODULE FOR BLOCK LINE UP & DN SHALL BE OF RATING 60-100V, 1A & 12-40V, 1A IN THE RATIO 1:1 AND IF THE SECTION IS PROVIDED WITH BPAC USING BLOCK PANEL THEN BLOCK LINE UP & DN NOT REQUIRED.
 - 2) APPROXIMATE CABLE DISTANCE BETWEEN IPS ROOM & ASM PANEL 35 METERS.
 - 3) APPROXIMATE CABLE DISTANCE BETWEEN IPS ROOM & BATTERY BANK 25MTRS.

जे.एस.मीणा
J. S. MEENA
Specials Manager/G&C
पश्चिम मध्य रेल, जबलपुर
West Central Railway, Jabalpur

2-12V, 5A	SPARE CELLS	DRAWN BY	CHECKED BY	CHECKED BY	APPROVED BY	WEST CENTRAL RAILWAY
2-12V, 5A		<i>[Signature]</i>	<i>[Signature]</i>	<i>[Signature]</i>	DT:	SIGNAL & TELECOMMUNICATIONS
12-28V, 5A	BLOCK LOCAL (BIR)	SE(D)	ESTE/STS	Dy. C.S.T.E. (P & D)	C.S.T.E. / Prof.	IPS FOR UP TO 6 LINES WITHOUT AFTC FOR RE / NON RE AREA
12-28V, 5A						DRG. NO. WCRN-HQ/PS/SMPS/PI/NRE/003/1