

ICF/SK-6-1-402

▽ ROUGH MACHINED	① ROUGH CLEANING	ALTERATION
▽▽ FINISH MACHINED		② 03/2004
▽▽▽ FINE FINISH MACHINED		

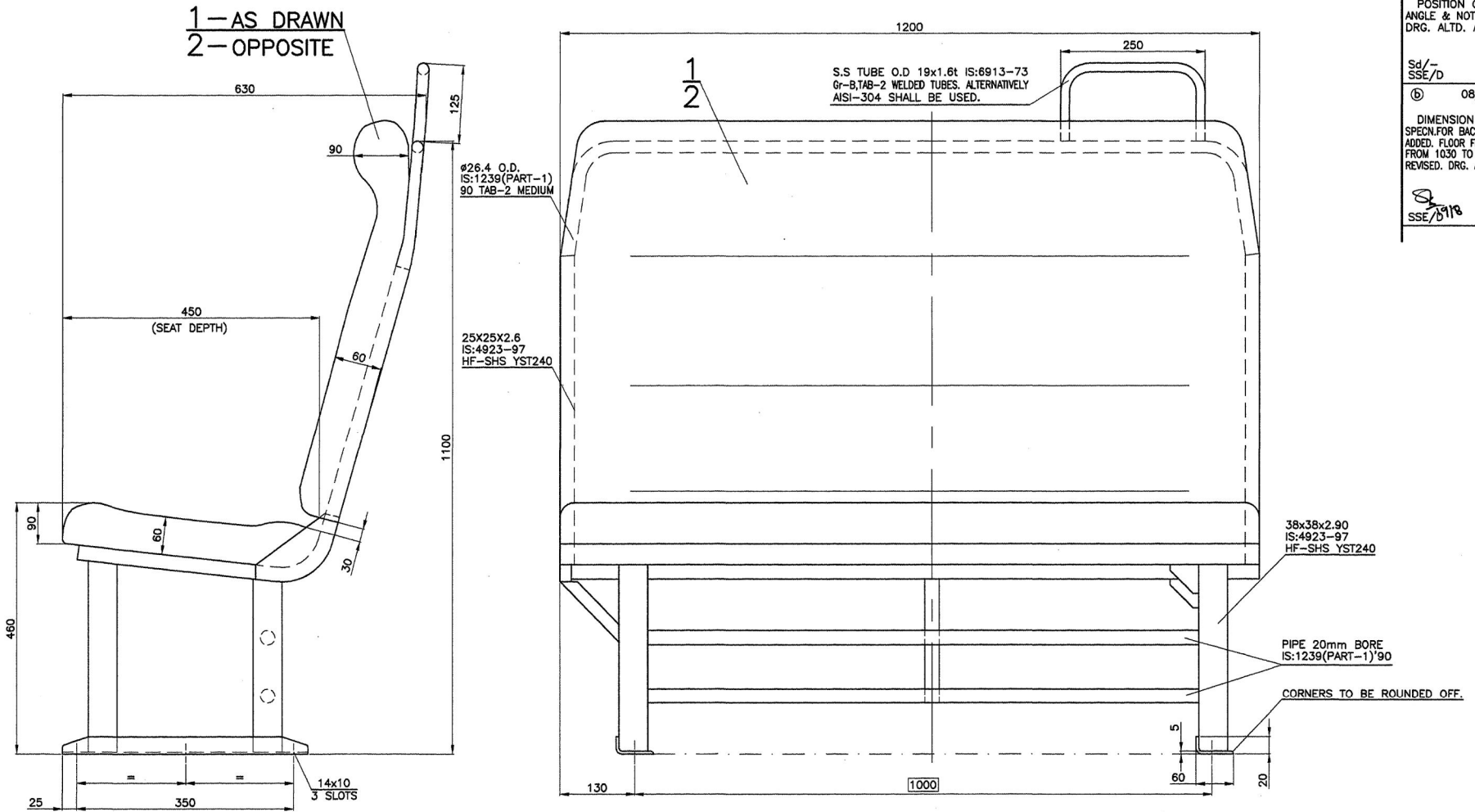
POSITION OF FIXING ANGLE & NOTE-1 REVISED. DRG. ALTD. ACCRDLY.

Sd/- Sd/-
SSE/D SME/DSD

③ 08/2004

DIMENSION & MAT. SPECN.FOR BACKREST FRAME ADDED. FLOOR FIXING DIM. ALTD. FROM 1030 TO 1000. NOTE-1 REVISED. DRG. ALTD. ACCRDLY.

SSE/S 118 SME/DSD



NOTE:-

1. PU FOAM BACK REST AND SEAT SHOULD BE PROVIDED WITH BACK SUPPORT OF 6MM THICK COMPREG PLYWOOD.

DMU/TC ₅ -6-1-501	
SDC ₆ -6-1-601	
ICF/SK-6-1-406	
ASSEMBLY DRAWINGS	
19-08-04	17-09-2003
ALT.	DATE OF LATEST ALTERATION
	DATE OF FIRST ISSUE
	Dy.C.M.E/D
	S.M.E./DSD

18	3-SEATER ASSY.-L.H.	2	ICF/M/D SPEC.136
18	3-SEATER ASSY.-R.H.	1	ICF/M/D SPEC.136
NO OFF	DESCRIPTION & DIMENSION	ITEM	REF.DRG
VI	V	IV	III
II	I	GROUP :- 6-1 SEATS & BERTHS	
PER COACH			
3-SEATER FOR SDC			
SUPERSEDED BY ICF/SK-6-1-402 ALT a/-			
SCALE	SSE/D	Sial	
%	CHD	S.H. Kulkarni	
	DRN		
	CAD		
ALT.	a b		
CAD FILE: C:\MD-CAD\077\6-1\402-SB00.DWG			
DATA CODE NO:	INDIAN RAILWAY STANDARDS		SHEET
077			1 OF 1
ICF/SK-6-1-402			