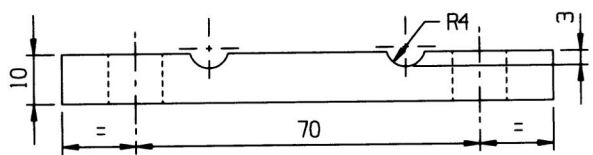
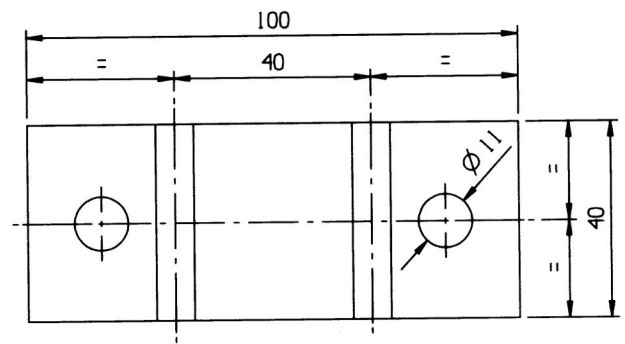


1	2	3	4	5	6	7	8	9	10	11	12	13
---	---	---	---	---	---	---	---	---	----	----	----	----

ALT. NO.	ALT. DATE	ZONE	ALTERATIONS	AUTHORITY
NIL	NIL	NIL	NIL	NIL



NOTE :-
1. EQUIV. TO AISI: 304 S1

Checked

Date
Inte
प्रविष्टिया की
Date Base

MAY

WELD LENGTH	WELD TYPE	DESCRIPTION & DIMENSIONS	SPASLT	DETAIL DRG	MATL. & SPEC.	REMARKS
NIL	M	LAVATORY & IT'S FITTINGS		DRWNO: NIL		
WEIGHT	FILE	/users2/furnish/lvtry/cc63115.prt				
0.300	KG	SCALE: DBE/REC				
S. AREA	M ²	1:1				
NIL	M ²	DRW				
LENGTH / S-A	M	RAIL COACH FACTORY, KAPURTHALA				
0.100	M	REF. NO. 40570				
WIDTH / THICK	INDIAN RAILWAYS STANDARD					
0.040/0.010	PL NO. 00205400					
HEIGHT	DRG. NO. CC63115					
NIL	M	ALT. NIL SIZE A3 SHEET 1/1				

DETAIL DRGS STARTING WITH "LI" ARE INTERNAL REFERENCE LISTS ONLY AND ARE NOT FOR ISSUE.
THIS IS A COMPUTER GENERATED DRAWING. ANY MANUAL ALTERATION SHALL AUTOMATICALLY RENDER IT INVALID. FROZEN
FOR UNTOLERANCED DIMENSIONS REFER MDG0008 DATE OF FIRST ISSUE 15/03/2001 22/4/15-01

1	2	3	4	5	6	7	8	9	10	11	12	13
---	---	---	---	---	---	---	---	---	----	----	----	----