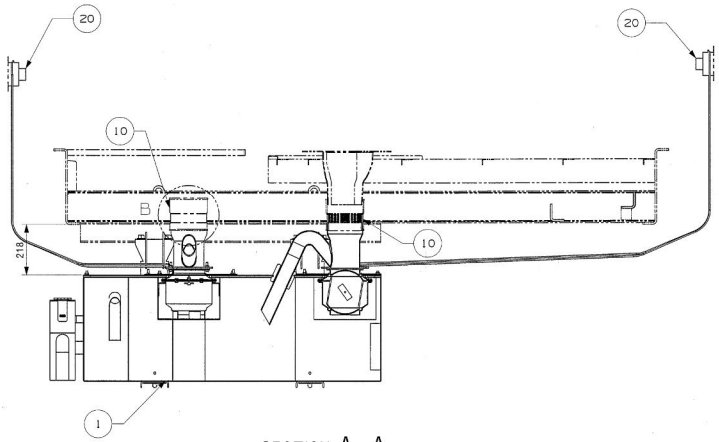
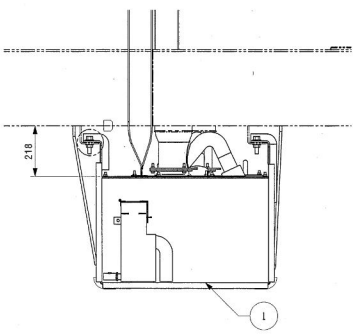
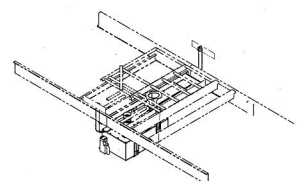
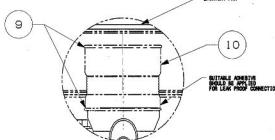
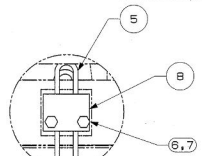
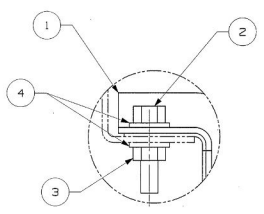
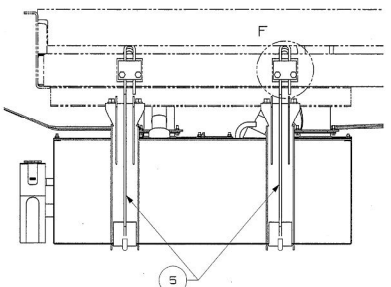
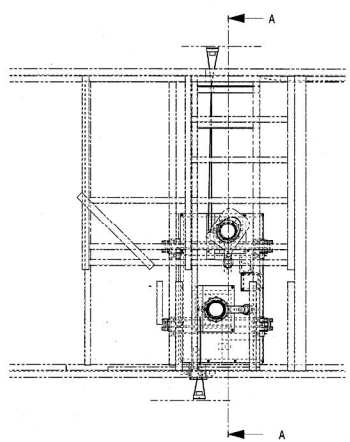


1 2 3 4 5 6 7 8 9 10 11 12 13 14 15 16 17 18 19

A
B
C
D
E
F
G
H
I
J
K

ALT. NO	ALT. DATE	ZONE	ALTERATIONS	AUTHORITY
0	31/12/2014	ALL	1. ITEM-11 TO 19 DELETED AND ITEM-20 ADDED. 2. Ø 180 WAS Ø 150 AND OPA WAS 2 FOR ITEM-9.	DY.CME/D-3



SECTION A-A

DATE: 02 JAN 2015

ITEM	DESCRIPTION & DIMENSIONS	QTY	UNIT	STANDARD	REMARKS
20	OPENING MECHANISM FOR BALL VALVE (CLUTCH WIRE TYPE)	2	NIL	MOTS-41493	NIL
19	STAINLESS STEEL NYLOC NUT M6 (A2-70 TO IS4367 PT.14)	1	LHW5509	IS: 7002-1991	NHL
18	STAINLESS STEEL MACHINE WASHER A6.4 (A2 TO IS4367 PT.14-1994)	1	LHW5509	IS: 2016-1967	NHL
17	STAINLESS STEEL HEX HEAD BOLT M6X15 (A2-70 TO IS4367 PT.14-94)	1	LHW5501	IS: 1364 PT.1-92	NHL
16	SPRING	1	NIL	IS: 4454 PART-1 1981 GRADE-2	NHL
15	NYLOC NUT M10	2	LHW08	IS: 7002-1991	NHL
14	STAINLESS STEEL MACHINE WASHER A10.5 (A2 TO IS4367 PT.14-1994)	2	LHW5509	IS: 2016-1967	NHL
13	BUSH - Ø 18X16, L 40	2	NIL	AISI-304	NHL
12	OPENING MECHANISM (DISABLED L.V.)	1	M1006475	NIL	NHL
11	OPENING MECHANISM	2	M1005986	NIL	NHL
10	RUBBER CONNECTOR	2	M1005979	NIL	NHL
9	CLAMP Ø 18XMM	4	NIL	IS: 4762-94 AISI-304	NIL
8	PLATE	4	CC63115	NIL	NIL
7	HEX HEAD SCREW M10X25	6	LHW02	IS: 1364 PT.2-92 5.6,CE	ITEM-17 CONTING TO MTS 087
6	SPRING WASHER B10	8	LHW09	IS: 3063-1994	ITEM-21 CONTING TO MTS 087
5	WIRE CABLE, Ø 8MM-7X7	2	NIL	DIN-3055 STAINLESS STEEL	L-3000
4	SPRING WASHER B16	16	LHW09	IS: 3063-1994	ITEM-23 CONTING TO MTS 087
3	STAINLESS STEEL NYLOC NUT M16 (A2-70 TO IS4367 PT.14)	8	NIL	IS: 7002-2005 IS0-7040	NIL
2	STAINLESS STEEL HEX HEAD SCREW M16X50 (A2-70 TO IS4367 PT.14-94)	8	LHW5502	IS: 1364 PT.2-92	ITEM-26 CONTING TO MTS 087
1	DRDO BIO-DIGESTER SYSTEM	1	M1006103	NIL	NIL

WELD LENGTH	ITEM	DESCRIPTION & DIMENSIONS	QTY	UNIT	STANDARD	REMARKS
NIL	SPW	L.V. & ITS FITTINGS			M1006102	ALT NIL
WEIGHT	FILE	Z:\1\m11\N\com\1\m1006102\02\01\1301				
S. AREA		MOUNTING OF DRDO BIO-DIGESTER				
NIL	M2	SYSTEM IN CONV. DSLR				
WIDTH/THICK.		RAIL COACH FACTORY, KAPURTHALA				
NIL	M	REF.DRAW: NIL				
HEIGHT		रेल कोच फैक्टरी कपूरथला				
NIL	M	IR S				
		PL NO. NIL				
		DRG.NO. M1006102				

THIS DRAWING IS THE INTELLECTUAL PROPERTY OF RAIL COACH FACTORY, KAPURTHALA. COMPONENTS, SOLD OR TRANSFERRED WITHOUT PERMISSION FROM CHIEF DESIGN ENGINEER, RAIL COACH FACTORY, KAPURTHALA.

"JOINTLY DEVELOPED BY IR & DRDO"

ANY MANUAL ALTERATION SHALL AUTOMATICALLY RENDER THIS DRAWING INVALID. DETAIL DRGS STARTING WITH "L1" ARE INTERNAL REFERENCE LISTS ONLY AND ARE NOT FOR ISSUE.

FOR UNTOLERANCED DIMENSIONS REFER MDG0008 DATE OF FIRST ISSUE 11/11/2013 CGM BY *Arjun*

1 2 3 4 5 6 7 8 9 10 11 12 13 14 15 16 17 18 19