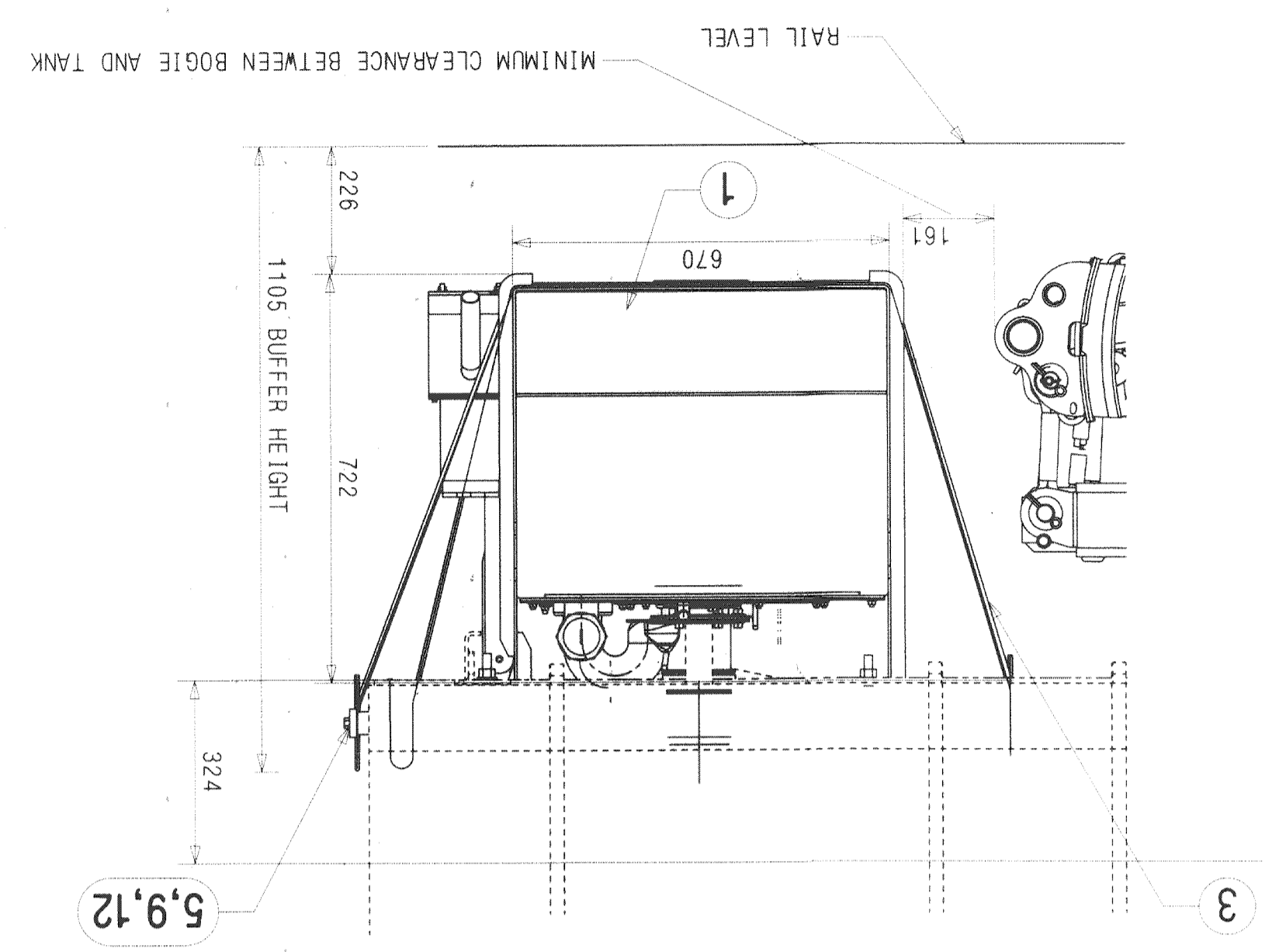


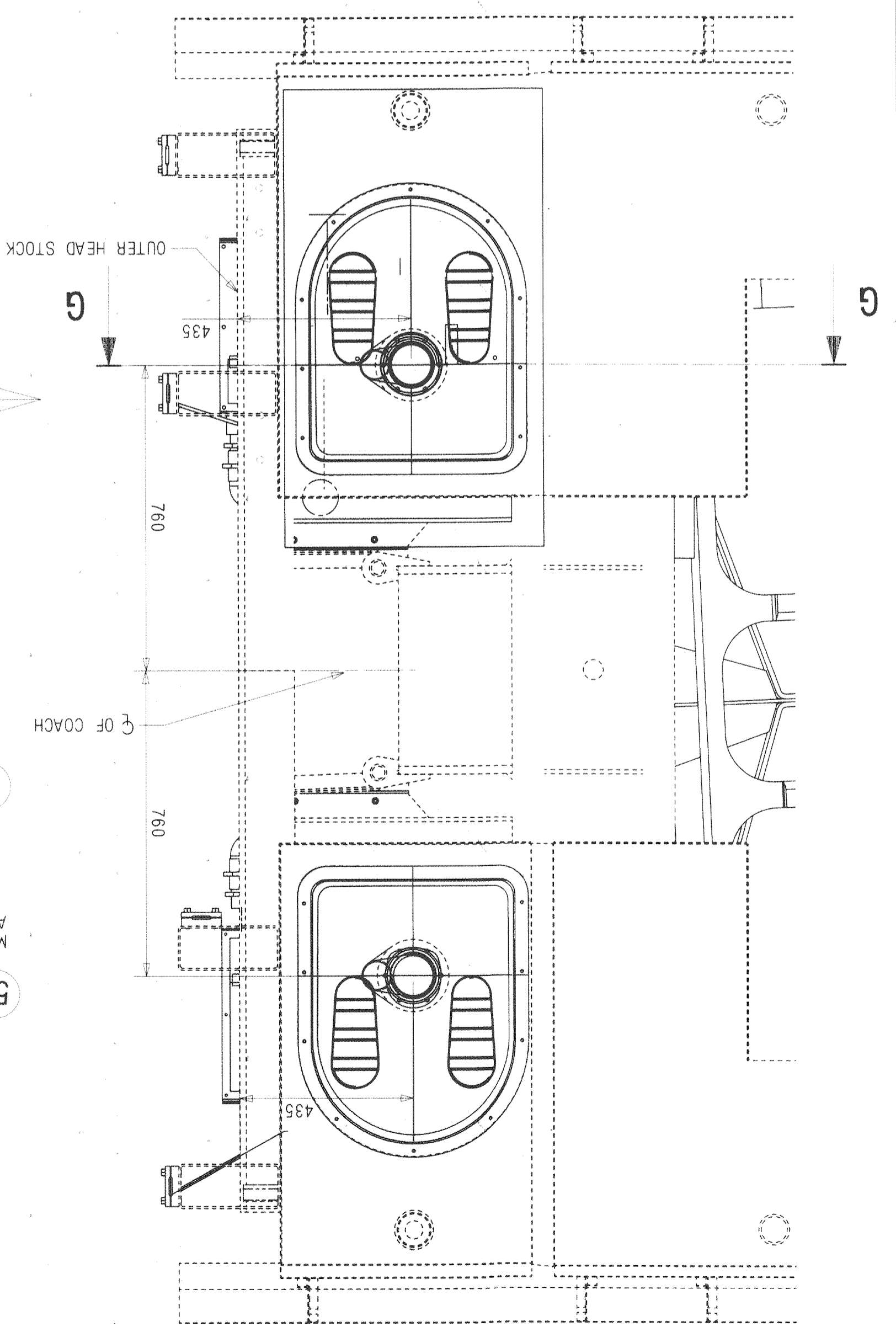
THIS DRAWING IS THE INTELLECTUAL PROPERTY OF RESEARCH DESIGN AND STANDARD ORGANISATION LUCKNOW. THE COPYRIGHT, DESIGN RIGHT AND/OR OTHER INTELLECTUAL PROPERTY RIGHTS OF THIS DRAWING BELONGS TO ROSO ONLY. UNAUTHORISED REPRODUCTION, ALTERATION, DISCLOSURE OR USE OF THIS DRAWING IS PROHIBITED.

JOINTLY DEVELOPED BY IR & DRDO

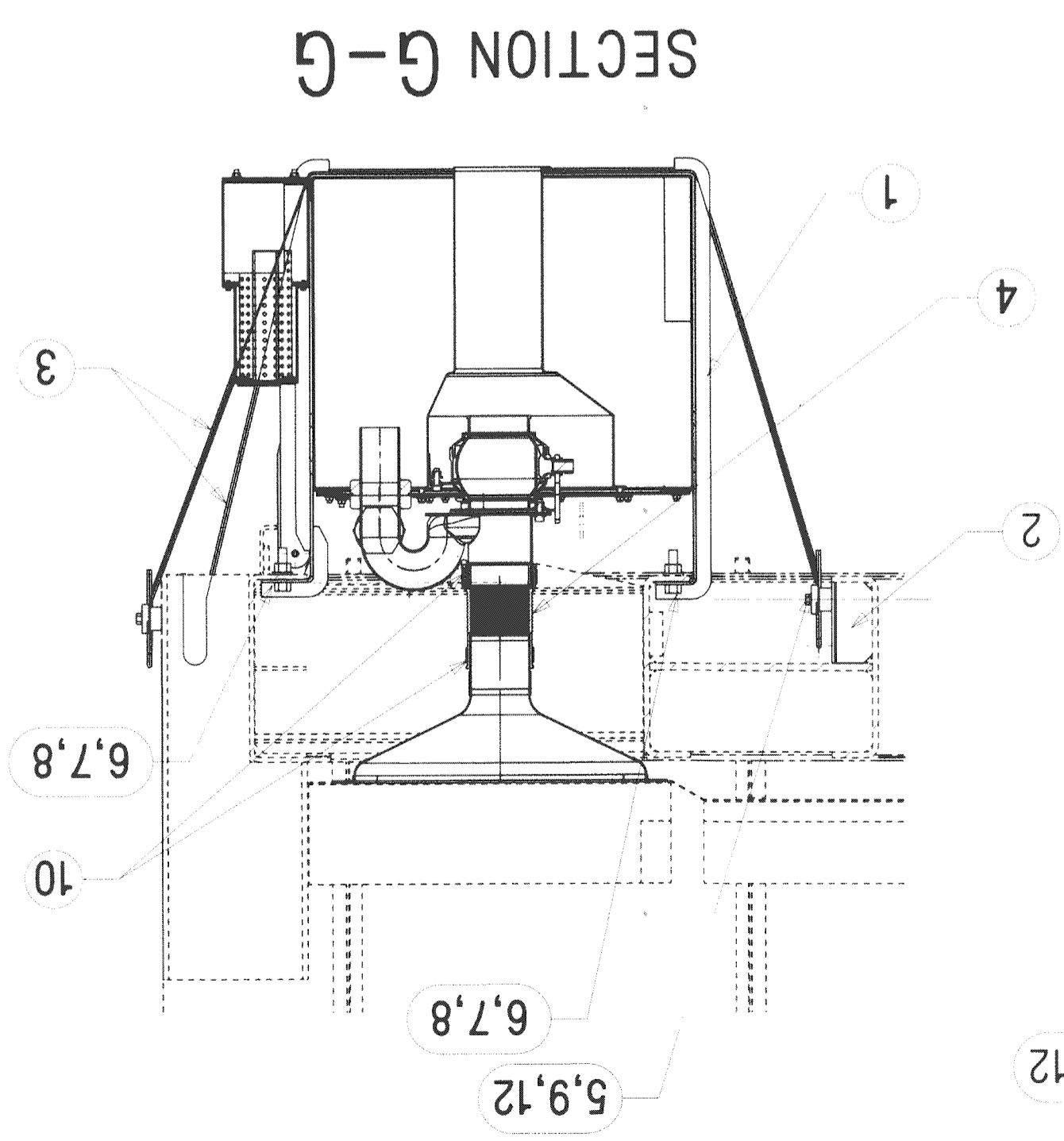
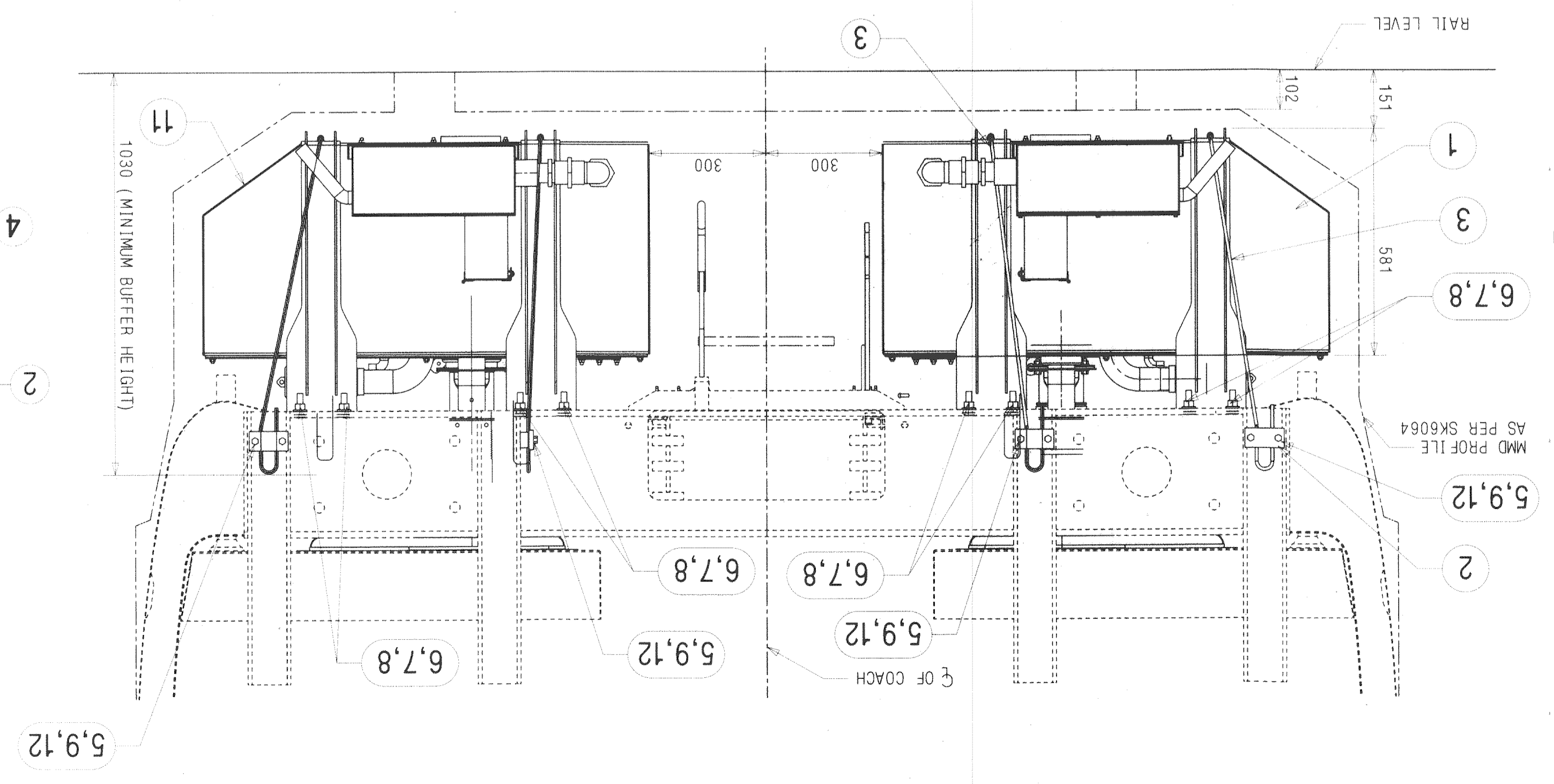


NOTE:-

1. Holding bracket/ing for hose coupling is required to be reshifted. Fixing arrangement and welding part on underframe for brackets and safety rope shall generally confirm to RD50 drawing no. CG-14098.



VIEW FROM X



ITEM NO.	DESCRIPTION & DIMENSIONS	QTY	REF. DRG.	UNIT	REMARKS
12	Spring Washer B10	16	IS: 3063-1994		
11	Mirror Assembly of DRDE Tank item no. 1	1	123		
10	Clamp ϕ 125 mm	2	IS: 4762-84 AISI 304		
9	Stainless Steel Hex Head Screw M10x25 (A2-70 to IS: 1367 Pt. 14-84)	16	IS: 1364 Pt. 2-92		
8	Spring Washer B16	16	IS: 3063-1994		
7	S.S. Nyloc Nut M6 (A2-70 to IS: 1367 Pt. 14-84)	16	IS: 7002-2005 ISO 7040		
6	Stainless Steel Hex Head Screw M6x60 (A2-70 to IS: 1367 Pt. 14-84)	16	IS: 1364 Pt. 2-92		
5	Locking Plate	8	CG-11088		
4	HOSE CONNECTOR	2	CG-14094		
3	SAFETY ROPE ϕ 8 7x7	4	DIN 3055 STAINLESS STEEL		
2	WELDING PARTS ON UNDERFRAME	1	CG-14098		
1	DRDE TANK COMPLETE	1	CG-14054 123		

SUPERSEDED BY:-

INDIAN RAILWAYS

ICF/RCF TYPE IR BG COACHES

BOLTED DESIGN IR-DRDO BIO DIGESTER TANK MOUNTING ARRANGEMENT (FOR NON-GBC FITTED COACHES)

CG-14053

ASSEMBLY DRGS. REFERENCE :-

SCAFF. DRGS.

IR

R.D.S.O. R.46/14

CGO NO. :- K-503

CDIO NO. :-

DATE

CHKD.

DESCRIPTION

AUTHY.

ALT. ITEM