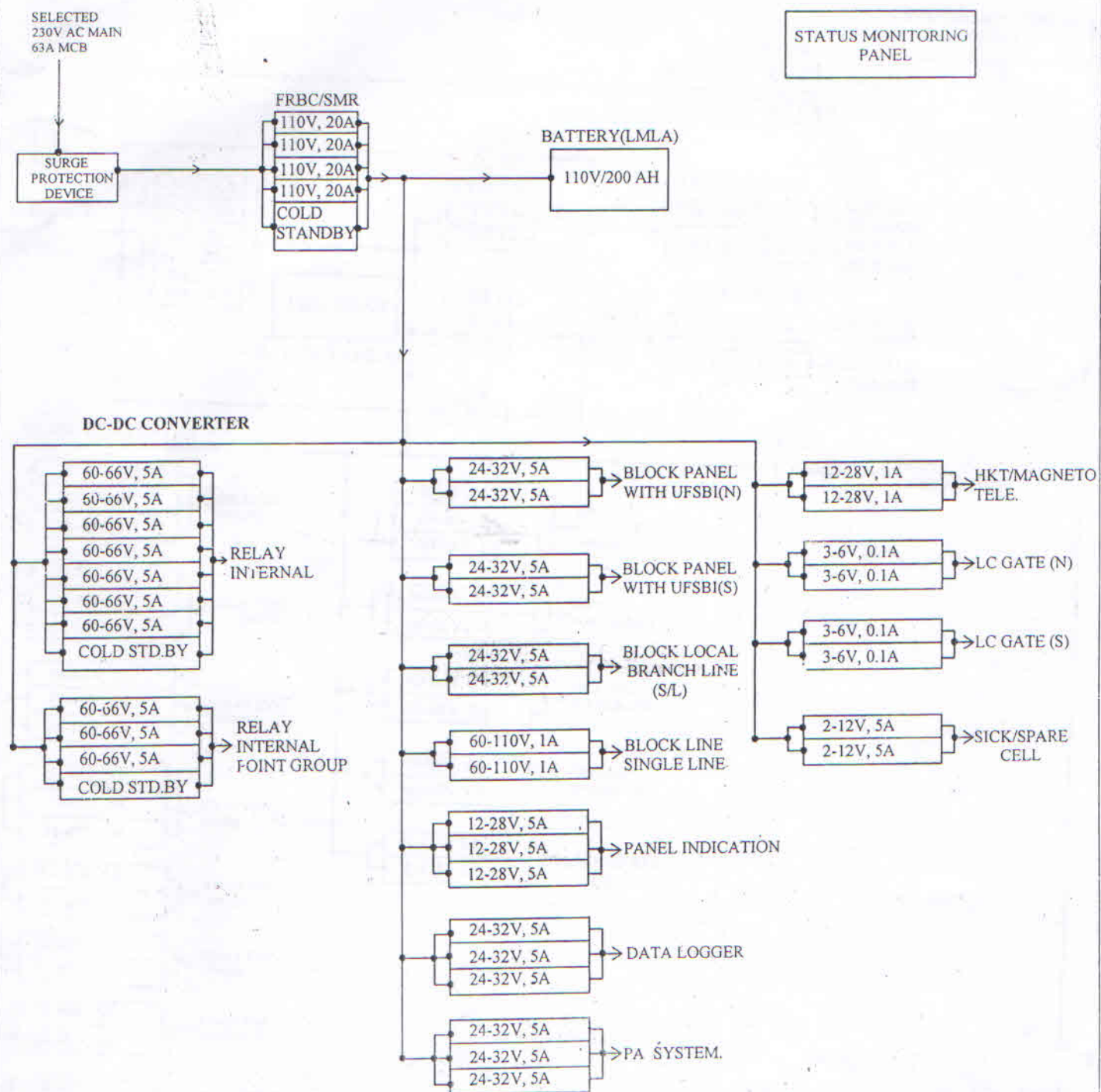


U8200150

5650NS-3  
Pg 2

POWER SUPPLY PLAN FOR RMA STATION (INTERNAL)  
(AS PER RDSO/SPN/165/2004 WITH Amd.5 OR LATEST)



जं. एल. मीणा  
J. S. MEENA

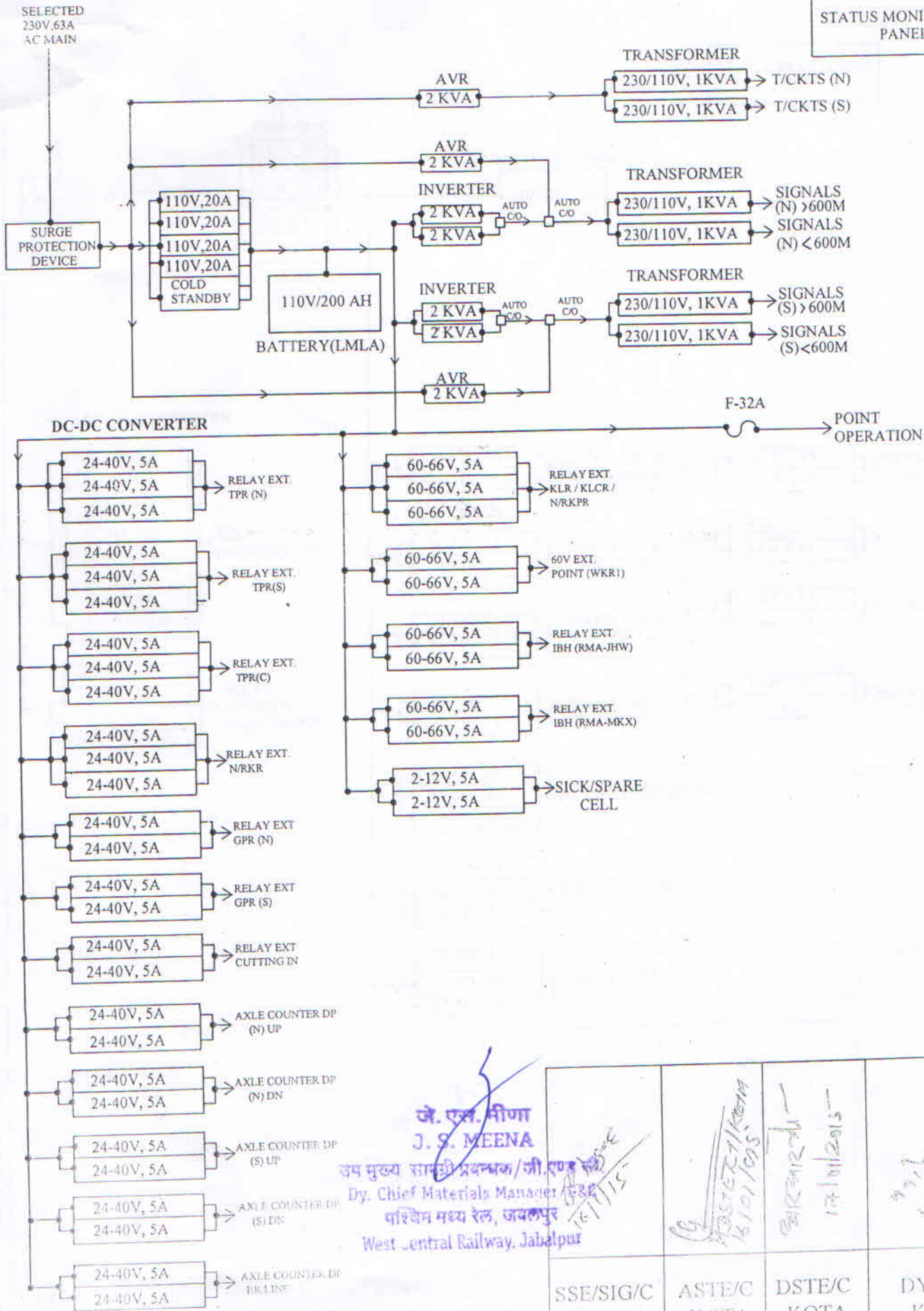
उप मुख्य प्रमुख प्रबंधक/डी.एच.सी.  
Dy. Chief Electrical Manager/GM  
पश्चिम मध्य रेल, जबलपुर  
West Central Railway, Jabalpur

<i>10/11/15</i>	<i>10/11/15</i>	<i>17/11/15</i>	<i>17/11/15</i>
SSE/SIG/C KOTA	ASTE/C KOTA	ISTE/C KOTA	DY.CSTE/C KOTA

379/1/1/1/2

POWER SUPPLY PLAN FOR RMA STATION (EXTERNAL)  
(AS PER RDSO/SPN/165/2004 WITH Amd.5 OR LATEST)

STATUS MONITORING  
PANEL



जे. एस. मीणा  
J. S. MEENA

उप मुख्य सामग्री प्रबंधक/जी.एस. मीणा  
Dy. Chief Materials Manager  
पश्चिम मध्य रेल, जबलपुर  
West Central Railway, Jabalpur

16/11/15	16/11/15	17/11/2015	17/11/15
SSE/SIG/C KOTA	ASTE/C KOTA	DSTE/C KOTA	DY.CSTE/C KOTA

16/11/15 10:20:15 KOT/1/RMA/2/2