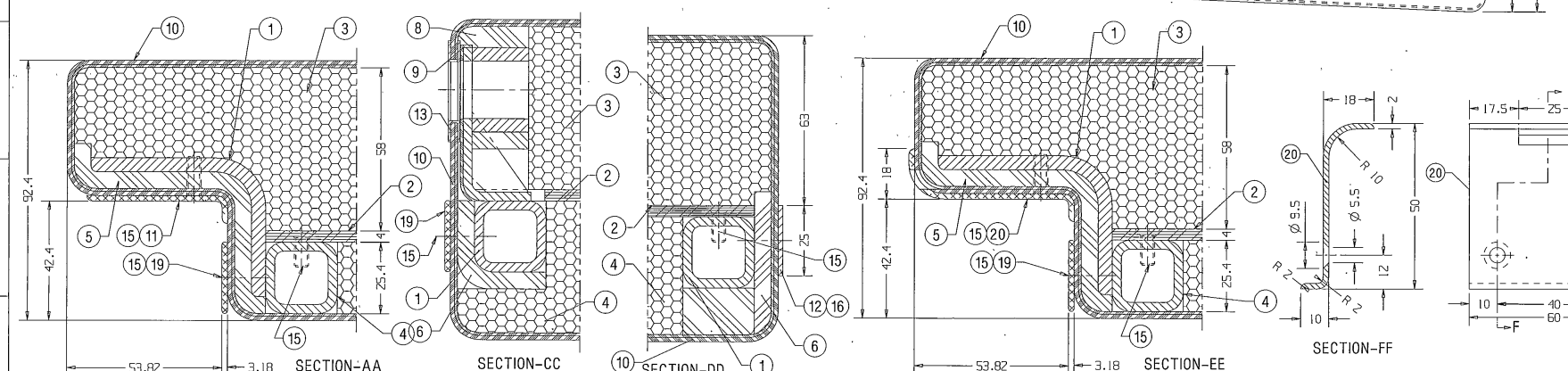
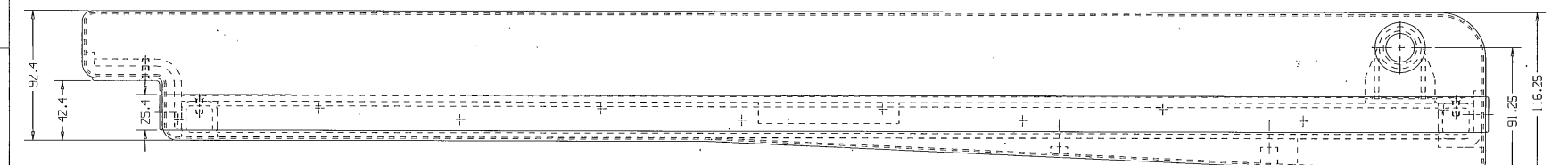


NOTE:-

1. P.U.FOAM TO BE PASTED TO THE COMPREG WITH APPROVED BRAND OF WATER PROOF GLUE.
2. NECESSARY CUT-A-WAYS TO BE DONE TO SUIT AT SITE.
3. THREAD SHOULD BE DYED & BONDED AND THE COLOUR OF THREAD SHOULD MATCH WITH THE COLOUR OF REXINE. THE PITCH OF THE STITCH SHALL BE 2 TO 3 mm.
4. COLOUR OF REXINE TO BE 'BLUE 315' AND STAMPED WITH 'INDIAN RLYS' CREST TO ROSO/SK-68068, ALT.-2.
5. COMPREG TO BE TREATED AGAINST FUNGI, TERMITE, MARINE BORERS & OTHER INSECT ACCORDING TO REQUIREMENTS OF PRESERVATION TREATMENT TO IS: 5539-69, TYPE-IV (COPPER CHROME ARSENIC COMPOSITION).
6. FELT (ITEMS-5 TO 8) TO BE PASTED PROPERLY ON THE FRAME WITH APPROVED BRAND OF ADHESIVE.
7. REXINE SHOULD BE STITCHED IN SUCH A MANNER THAT NO FOLDS ARE VISIBLE AT THE CORNERS.
8. ITEMS-11 & 20 SHALL BE DULL ANODISED TO IS: 1868-82, TAB-1 GR. AC 10.

Enter
Date

21 Jui 2005



NO	DESCRIPTION	QTY	UNIT	IS: 737-86	REMARKS
20	MOULDING 2X77X60	1	NIL	31000 H2	%
19	FLAT MOULDING	2	CC43334	NIL	L=1492
18	GABA CLOTH 800X2300	1	NIL	IS: 1094-76	NIL
17	COTTON THREAD 3X5000	1	NIL	VAR.-3	NIL
16	TAPPING SCREW ISO 1481 ST 3.5X15-F	2	IS: 7173-89	NIL	MDTS 057
15	SLTD PAN HD TAPP SCREW STEEL S14.2X15-F	53	LIHW03	IS: 7173-1989	ITEM-39
14	SEWING THREAD L=10000	1	NIL	IS: 4229-92	6.6, VAR. L Z
13	EYELET	2	SE61262	NIL	NIL
12	NAME PLATE	1	CC61188	NIL	NIL
11	ANGLE MOULDING 2X57X253	2	NIL	IS: 737-86	31000 H2
10	REXINE 800X2300	1	NIL	ROSO/SPEC. C-9503, TYPE-II	@
9	REXINE 60X65	2	NIL	ROSO/SPEC. C-9503, TYPE-II	@
8	FELT 6X40X120	2	NIL	IS: 1719-88	TAB-1, MEDIUM
7	FELT 6X62X561	1	NIL	IS: 1719-88	TAB-1, MEDIUM
6	FELT 6X53X990	2	NIL	IS: 1719-88	TAB-1, MEDIUM
5	FELT 6X114X561	1	NIL	IS: 1719-88	TAB-1, MEDIUM
4	P.U. FOAM FOR BACK REST SIDE	1	AE61457	NIL	ITEM-2
3	P.U. FOAM FOR BERTH SIDE	1	AE61457	NIL	ITEM-1
2	COMPREG PANEL 4X549X919	1	NIL	ROSO/SPEC. C-9407, TYPE-I	*
1	FRAME	1	AE61454	NIL	NIL

WELD LENGTH	ITEM	DESCRIPTION & DIMENSIONS	ASSEMBLY	DETAIL DRG	MATL. & SPEC.	REMARKS
NIL	GROUP	SEAT & UPPER BERTHS				
WEIGHT	FILE	ae61453c.prt (2D)				
18.500	KG	BACK REST CUM BERTH (LONG)				
S.AREA	M ²	FOR ACCN COACH				
LENGTH/DIA	M	RAIL COACH FACTORY, KAPURTHALA				
WIDTH/THICK.	M	INDIAN RAILWAYS STANDARD				
HEIGHT	M	PL NO. NIL				
NIL	M	DRG.NO. AE61453				
NIL	M	N.R. CODE				

ANY MANUAL ALTERATION SHALL AUTOMATICALLY RENDER THIS DRAWING INVALID. DETAIL DRGS STARTING WITH "LI" ARE INTERNAL REFERENCE LISTS ONLY AND ARE NOT FOR ISSUE.

FOR UNTOLERANCED DIMENSIONS REFER MDG0008 DATE OF FIRST ISSUE 08/12/1998 CGM BY