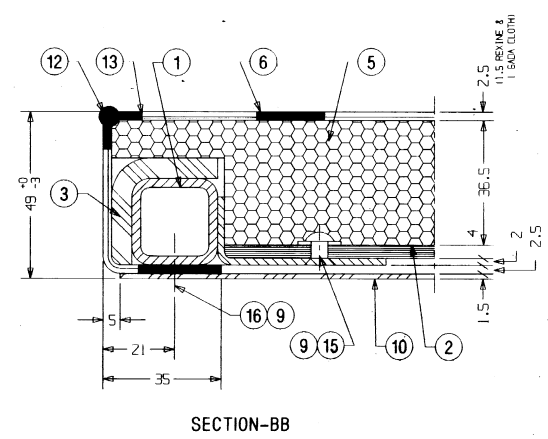
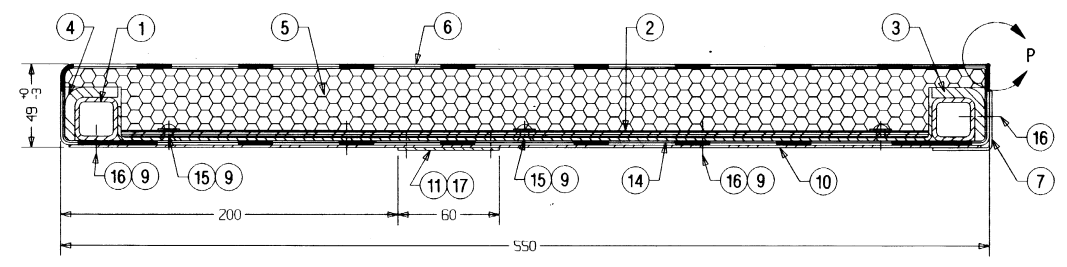
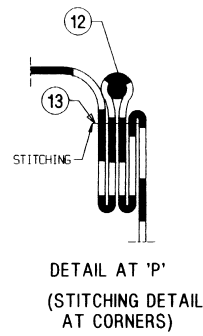
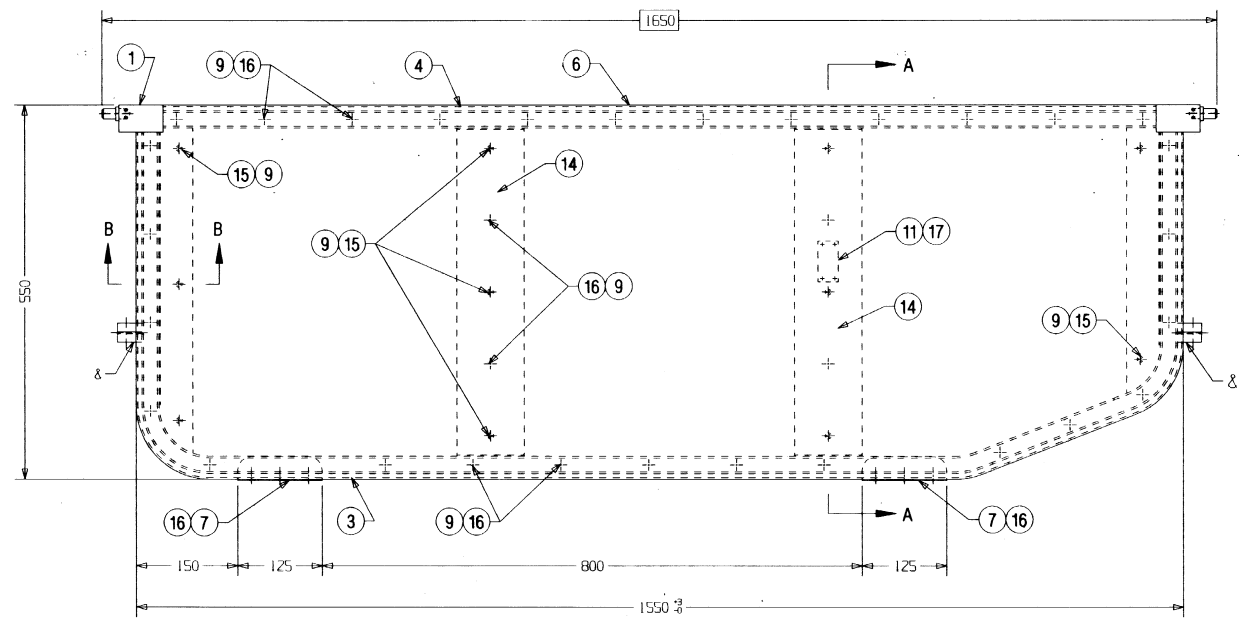


ALT. NO.	ALT. DATE	ZONE	ALTERATIONS	AUTHORITY
a	19/05/99	ALL	1. DRAWING REVISED AS THE DESIGN OF CONDUCTOR'S BERTH CHANGED. 2. DRAWING PROFORMA REVISED & PL NO. ADDED FOR DRAWING.	DIC NO. MD990136
b	18/03/2004	1-15 1-15 F-7	1. DESCRIPTION OF ITEM 5 WAS: FOAM RUBBER. 2. ITEM 8 DELETED. 3. NOTE 1 UPDATED.	DIC NO. MD040011



- NOTE:-
- P.U.FOAM TO BE PASTED TO THE COMPREG WITH APPROVED BRAND OF WATER PROOF GLUE.
 - NECESSARY CUT-A-WAYS TO BE DONE TO SUIT AT SITE.
 - THREAD SHOULD BE DYED & BONDED AND THE COLOUR OF THREAD SHOULD MATCH WITH THE COLOUR OF REXINE. THE PITCH OF THE STITCH SHALL BE 2 TO 3 mm.
 - COLOUR OF REXINE TO BE 'BLUE 315' AND STAMPED WITH 'INDIAN RLYS' CREST TO RDSO/SK-6806B, ALT.-2.
 - COMPREG TO BE TREATED AGAINST FUNGI, TERMITES, MARINE BORERS & OTHER INSECT ACCORDING TO REQUIREMENTS OF PRESERVATION TREATMENT TO IS: 5539-69, TYPE-IV (COPPER CHROME ARSENIC COMPOSITION).
 - FELT (ITEMS-3 & 4) TO BE PASTED PROPERLY ON THE FRAME WITH APPROVED BRAND OF ADHESIVE.
 - PITCH OF TAPPING SCREWS SHOULD NOT BE MORE THAN 150 m.m.
 - REXINE SHOULD BE STITCHED IN SUCH A MANNER THAT NO FOLDS ARE VISIBLE AT THE CORNERS.
 - COLOUR OF THE L.P. PANEL SHOULD MATCH THE INTERIOR COLOUR SCHEME OF THE COACH.
 - SUITABLE BEEDING SHOULD BE PROVIDED IN REXINE AROUND THE CUT-OUT FOR-BEARING PIECE.

29 APR 1994

ITEM	DESCRIPTION & DIMENSIONS	QTY	IS: 7173-89	NIL	MDTS 057
17	TAPPING SCREW ISO 1481 ST 3.2X16-F	4	IS: 7173-89	NIL	MDTS 057
16	TAPPING SCREW ISO 1481 ST 4.2X20-F	39	IS: 7173-89	NIL	MDTS 057
15	CSK. HD. RIVET 5X12	11	IS: 2907-64 TAB-3.F16.3	IS: 740-77 64430	NIL
14	REXINE PACKING 1.5X100X540	4	NIL	RDSO/SPEC. C-9503, TYPE-II	%
13	SEWING THREAD L=5000	1	NIL	IS: 4229-92 6.6. VAR. L2	#
12	COTTON THREAD Ø 3X3000	1	NIL	IS: 1720-78	NIL
11	NAME PLATE	1	CC61188	NIL	NIL
10	L.P. PANEL 1.5X540X1540	1	NIL	RDSO/SPEC. C-9502	@
9	PUNCHED WASHER B 5.5	44	IS: 2016-67	IS: 737-86 31000 H2	NIL
8	GADA CLOTH 775X1800	1	NIL	IS: 1094-76 VAR.-3	NIL
7	WEARING ANGLE	2	AE61224	NIL	NIL
6	REXINE 1.5X775X1800	1	NIL	RDSO/SPEC. C-9503, TYPE-II	%
5	P.U.FOAM	1	CC61296	NIL	NIL
4	FELT 6X53X1470	1	NIL	IS: 1719-88 TAB-1, MEDIUM	NIL
3	FELT 6X53X2397	1	NIL	IS: 1719-88 TAB-1, MEDIUM	NIL
2	COMPREG PANEL 4X478X1478	1	NIL	RDSO/SPEC. C-9407, TYPE-I	*
1	FRAME	1	CC61240	NIL	NIL

WELD LENGTH	ITEM	DESCRIPTION & DIMENSIONS	QTY	DETAIL DRG	MATL. & SPEC.	REMARKS
NIL	M	GROUP SEAT & UPPER BERTHS		SUPERSEDES: CC61258 ALT a		
WEIGHT	FILE	/nash/furnish/mjkr/cc61258b.prt (2D)				
22.580	KG	SCALE SSE/REC				
S. AREA		1:5 CHD				
NIL	M ²	DRN				
LENGTH/DIA		REF DRG: NIL				
NIL	M	RAIL COACH FACTORY, KAPURTHALA				
WIDTH/THICK.		INDIAN RAILWAYS STANDARD				
NIL	M	PL NO. 01132167				
HEIGHT		DRG. NO. CC61258				
NIL	M	ADD/SME	DY.CME	N.R.	ALT. b	SIZE A1 SHEET 1/1

ANY MANUAL ALTERATION SHALL AUTOMATICALLY RENDER THIS DRAWING INVALID. DATE OF FIRST ISSUE 03/06/1994 CGM BY