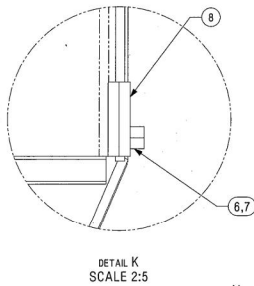
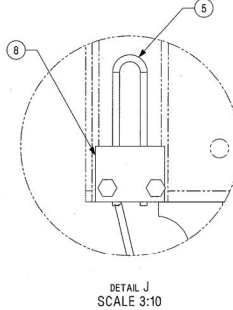
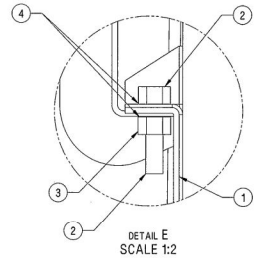
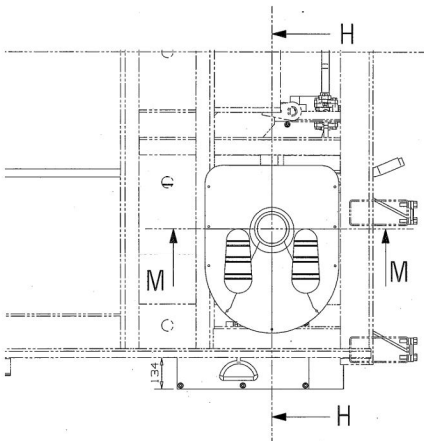
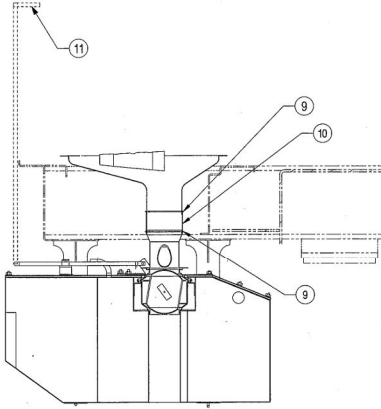
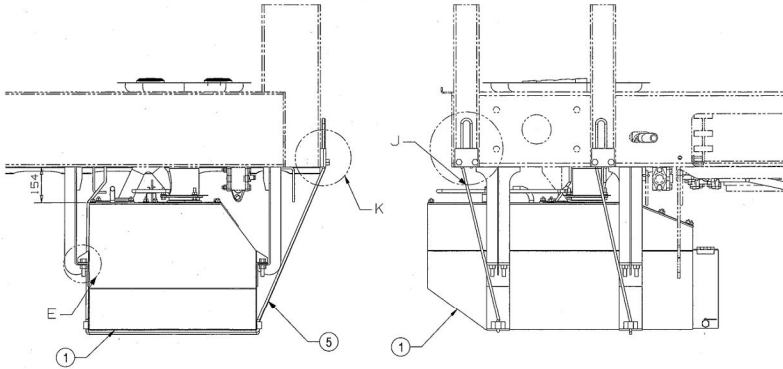
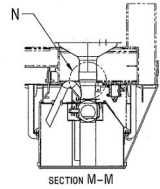
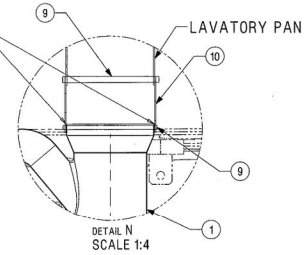


ALT. NO.	ALT. DATE	ZONE	ALTERATIONS	AUTHORITY
0	31/01/2012	H-15	DESCRIPTION OF ITEM NO. 9 & 10 CHANGED.	DY, CME/D-3
		H-15	ITEM NO. 11 ADDED.	



SUITABLE ADHESIVE SHOULD BE APPLIED FOR SMOOTH CONNECTION



14 FEB 2012

ITEM	DESCRIPTION	QTY	UNIT	REMARKS
11	ARRGT. FOR OPERATING 5" BALL VALVE FROM INSIDE LAVATORY	1	NIL	CLAUSE 3.2 OF MIO05510
10	RUBBER CONNECTOR	1	NIL	EPDM
9	CLAMP Ø 150 MM	2	NIL	IS: 4762-04 AISI 304
8	PLATE	4	CG-1100B	AISI 316L ITEM-2
7	HEX HEAD SCREW M10X25	0	LH-W02	IS: 1364 PT. 2-92 5,5,CE COATING TO MTS 097
6	SPRING WASHER B10	8	LH-W09	IS: 3063-1994 ITEM-21 COATING TO MTS 097
5	WIRE CABLE, Ø 6MM-7X7	2	NIL	DIN 3055 STAINLESS STEEL L=3000
4	SPRING WASHER B16	16	LH-W09	IS: 3063-1994 ITEM-23 COATING TO MTS 097
3	S.S WLOC NUT M16 (A2-70 TO IS4367_PT.14-B4)	8	NIL	IS: 7002-2005 150-7040 NIL
2	HEX HEAD BOLT M16X70	8	LH-W01	IS: 1364 PT. 1-92 5,5,CE COATING TO MTS 097
1	ORDE BIO-DIGESTER SYSTEM	1	MIO05510	NIL

WELD LENGTH	ITEM	DESCRIPTION & DIMENSIONS	QTY	UNIT	REMARKS
NIL	GROUP	LAV. & ITS FITTINGS			
NIL	WEIGHT	KG			
NIL	S. AREA	M ²			
NIL	LENGTH/DIA	M			
NIL	HEIGHT	M			

SCALE: 1/50/REC
 DTD: JPSN & SAI
 DRN: KSHK

GROUP: LAV. & ITS FITTINGS
 REFERENCE: MIO05510 ALT: 1301

MOUNTING OF ORDE BIO-DIGESTER SYSTEM

RAIL COACH FACTORY, KAPURTHALA

रेलकोच फॅक्टरी कपूरथला | IRS | PL NO. NIL
 DRG. NO. MIO05510

DATE: 01/06/2011 | CGM BY: [Signature] | M | CDE

THIS DRAWING IS THE INTELLECTUAL PROPERTY OF RAIL COACH FACTORY, KAPURTHALA. IT IS NOT TO BE REPRODUCED OR TRANSMITTED IN ANY FORM OR BY ANY MEANS, ELECTRONIC OR MECHANICAL, INCLUDING PHOTOCOPYING, RECORDING, OR BY ANY INFORMATION STORAGE AND RETRIEVAL SYSTEM, WITHOUT PERMISSION FROM CHIEF DESIGN ENGINEER, RAIL COACH FACTORY, KAPURTHALA.

"JOINTLY DEVELOPED BY IR & DRDO"

ANY MANUAL ALTERATION SHALL AUTOMATICALLY RENDER THIS DRAWING INVALID. DETAIL DRGS STARTING WITH "LI" ARE INTERNAL REFERENCE LISTS ONLY AND ARE NOT FOR ISSUE.

FOR UNTOLERANCED DIMENSIONS REFER MDG0008 DATE OF FIRST ISSUE: 01/06/2011 CGM BY: [Signature] M CDE

