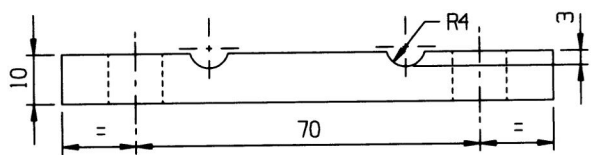
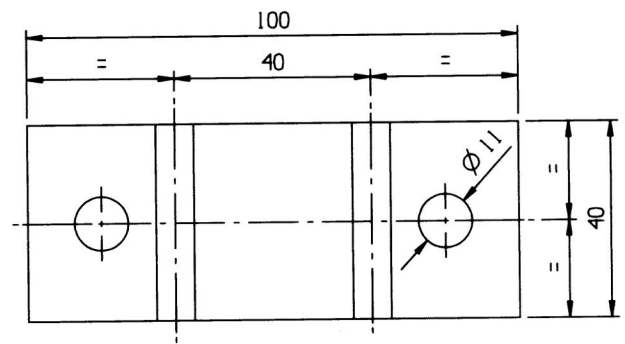


1	2	3	4	5	6	7	8	9	10	11	12	13
---	---	---	---	---	---	---	---	---	----	----	----	----

ALT. NO.	ALT. DATE	ZONE	ALTERATIONS	AUTHORITY
NIL	NIL	NIL	NIL	NIL



NOTE :-
1. EQUIV. TO AISI: 304 S1

Checked
By
Date

MAY

WELD LENGTH	WELD TYPE	DESCRIPTION & DIMENSIONS	SPALLT	DETAIL DRG	MATL. & SPEC.	REMARKS
NIL	M	LAVATORY & IT'S FITTINGS		DRWNO: NIL		
WEIGHT	FILE	/users2/furnish/lvtry/cc63115.prt				
0.300 KG		SCALE: 1:1				
S. AREA		DRAWN: [Signature]				
NIL M ²		CHECKED: [Signature]				
LENGTH / S-A		RAIL COACH FACTORY, KAPURTHALA				
0.100 M		REF. NO. 40570				
WIDTH / THICK		INDIAN RAILWAYS STANDARD				
0.040/0.010M		PL NO. 00205400				
HEIGHT		DRG. NO. CC63115				
NIL M		ALT. NIL SIZE A3 SHEET 1/1				

DETAIL DRGS STARTING WITH "LI" ARE INTERNAL REFERENCE LISTS ONLY AND ARE NOT FOR ISSUE.
THIS IS A COMPUTER GENERATED DRAWING. ANY MANUAL ALTERATION SHALL AUTOMATICALLY RENDER IT INVALID. FROZEN
FOR UNTOLERANCED DIMENSIONS REFER MDG0008 DATE OF FIRST ISSUE 15/03/2001

1	2	3	4	5	6	7	8	9	10	11	12	13
---	---	---	---	---	---	---	---	---	----	----	----	----