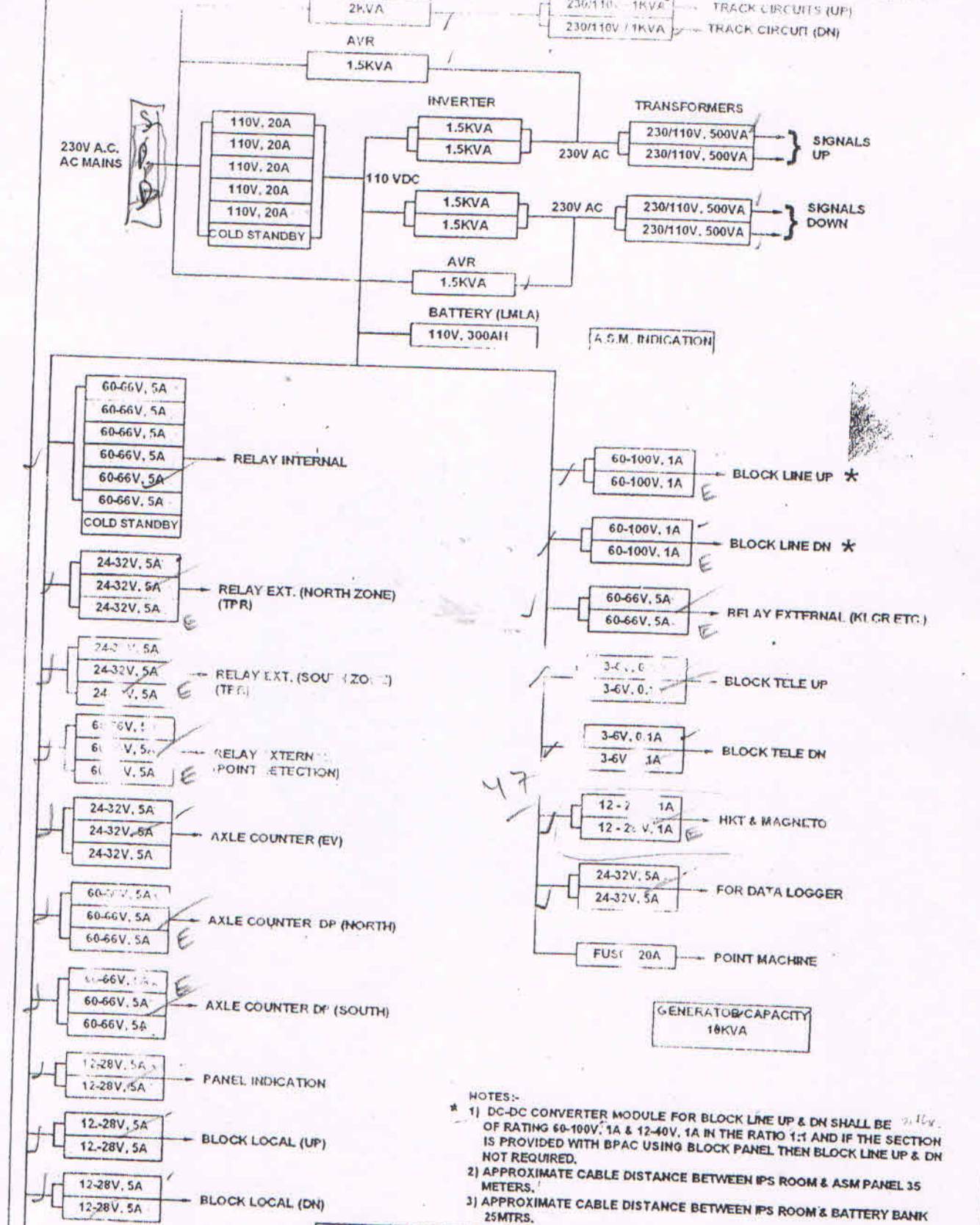


PROJECT UP TO 6 LINES WITHIN AFTC AREA
 WEST CENTRAL RAILWAY NO. SPN NO. RDS/C/SPN/165/2004, REF. PROJ. NO. SIK/IPS/SME/S/PINKL/003



- NOTES:-
- * 1) DC-DC CONVERTER MODULE FOR BLOCK LINE UP & DN SHALL BE OF RATING 60-100V, 1A & 12-40V, 1A IN THE RATIO 1:1 AND IF THE SECTION IS PROVIDED WITH BPAC USING BLOCK PANEL THEN BLOCK LINE UP & DN NOT REQUIRED.
 - 2) APPROXIMATE CABLE DISTANCE BETWEEN IPS ROOM & ASM PANEL 35 METERS.
 - 3) APPROXIMATE CABLE DISTANCE BETWEEN IPS ROOM & BATTERY BANK 25MTRS.

DRAWN BY <i>[Signature]</i> SL(D)	CHECKED BY <i>[Signature]</i> ES/10/10	CHECKED BY <i>[Signature]</i> Dy. S. L. E. (P. 10)	APPROVED BY <i>[Signature]</i> C. S. L. E. / P. 10	WEST CENTRAL RAILWAY SIGNAL & TELECOMMUNICATIONS IPS FOR UP TO 6 LINES WITHIN AFTC FOR RE / NON RE AREA DRG. NO. WCRN-HQ/PSB/Line/003/003
-----------------------------------------	----------------------------------------------	----------------------------------------------------------	----------------------------------------------------------	----------------------------------------------------------------------------------------------------------------------------------------------------