

PL NO. 5698 NS 4

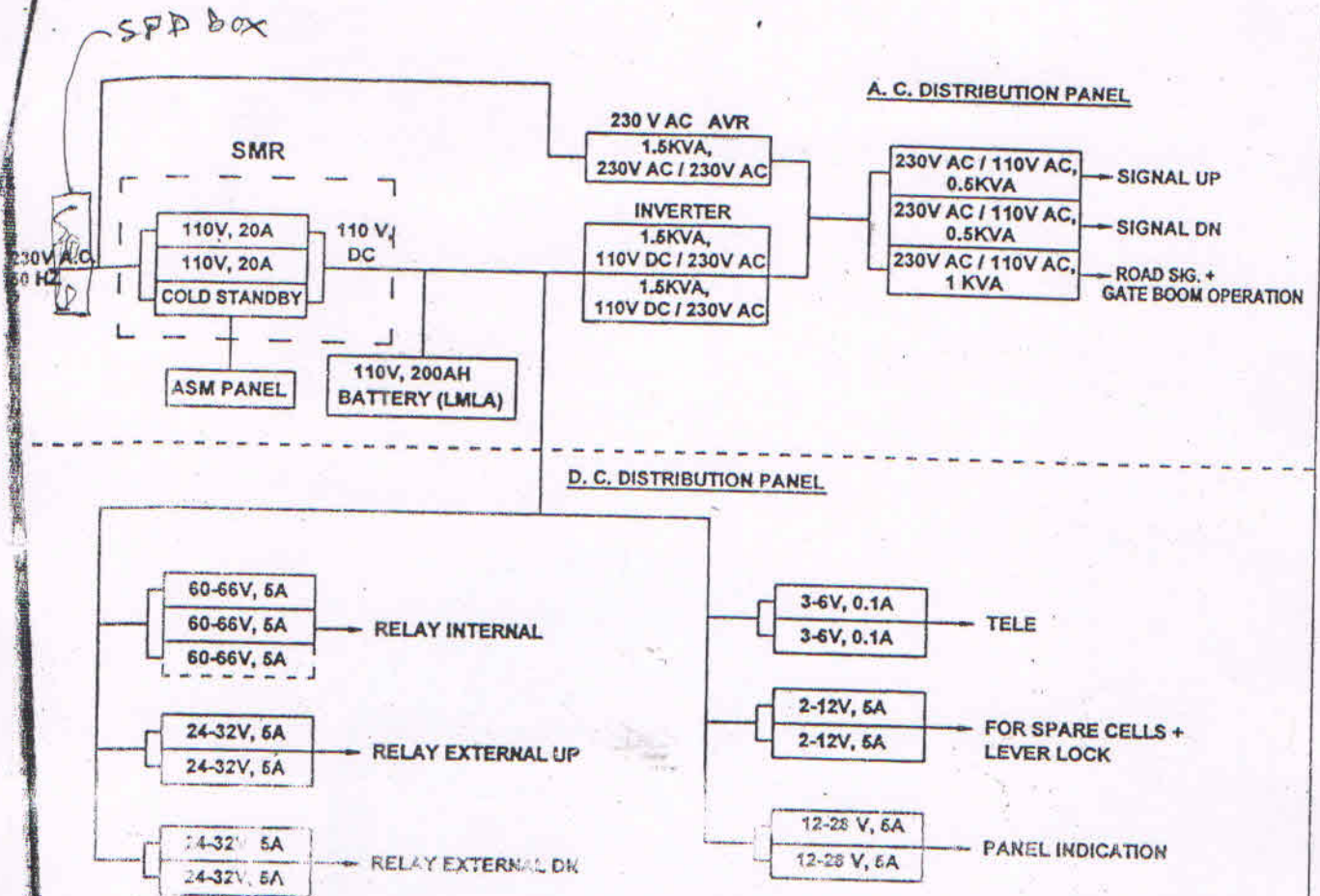
(Indent No. 48127832, 68445658, 584117067)

388A
63

IPS FOR LEVEL CROSSING FOR RE/ NON-RE

58411729

557



NOTE:-
 1. APPROXIMATE CABLE DISTANCE BETWEEN IPS ROOM & ASM PANEL (GATE HUT) 10 MTRS.
 2. APPROXIMATE CABLE DISTANCE BETWEEN IPS ROOM & BATTERY BANK 10 MTRS.
 3. TYPE OF SUPPLY, INSTALLATION & COMMISSIONING SHALL BE AS PER RDSO LETTER NO. 19/07/2011.
 4. ALL DISTRIBUTIONS FOR SIGNAL LIGHTING CAN BE SUITABLY CHANGED AT SITE TO MEET REQUIREMENTS.

WEST CENTRAL RAILWAY			
SIGNAL & TELECOMMUNICATIONS			
IPS FOR L. C. GATE FOR RE / NON RE AREA			
DRG. NO. WCR/N-HQ/IPS/LC GATE/08/03/ALT-1			
DRAWN BY SE(D)	CHECKED BY ESTE/STS	CHECKED BY Dy.C.S.T.E.(P & D)	APPROVED BY DT: C.S.T.E. / Prof.