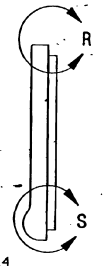
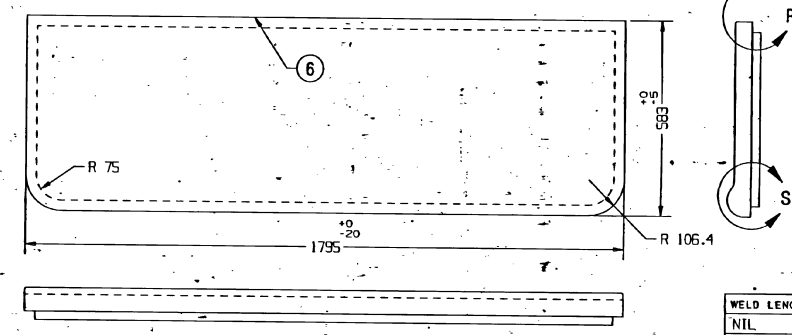
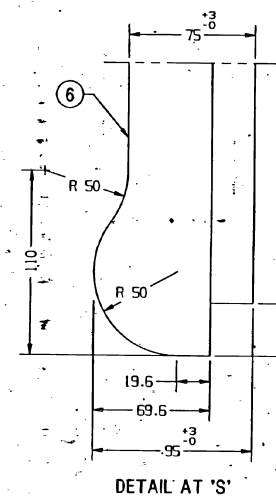
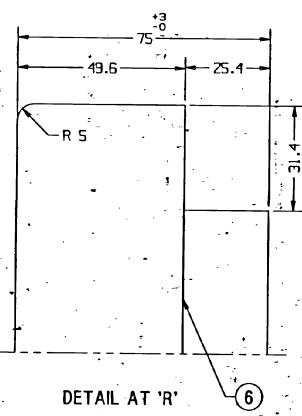
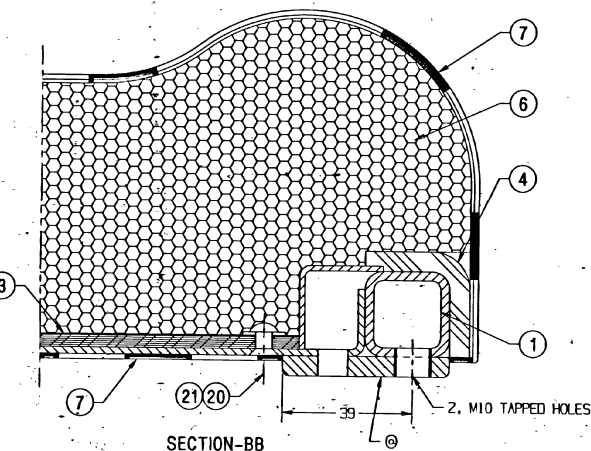
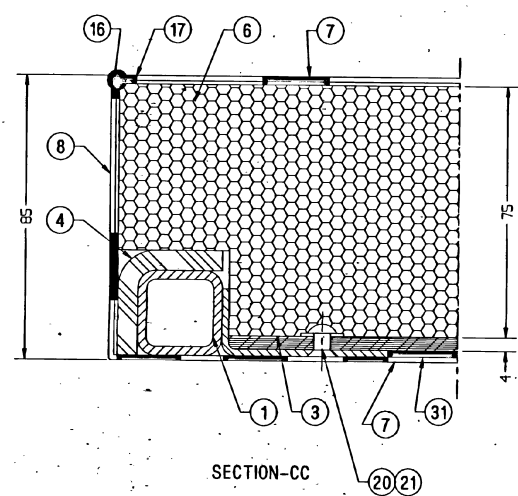
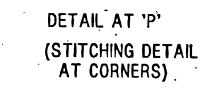
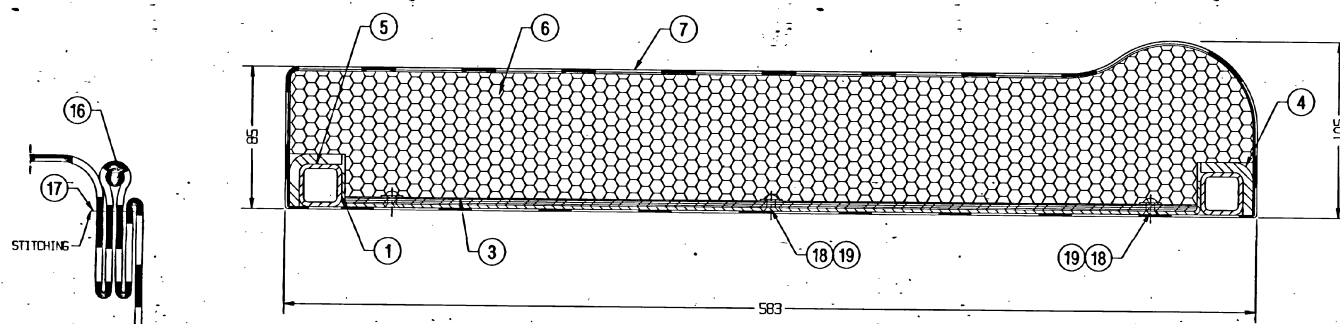
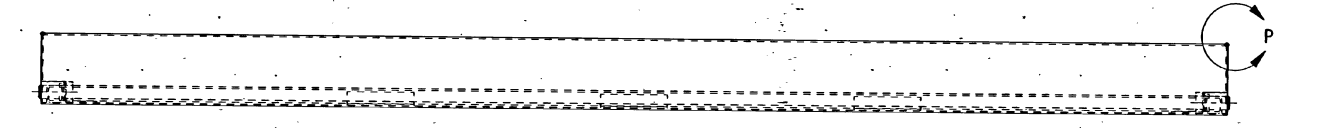


- NOTE:-**
- P.U. FOAM TO BE PASTED TO THE COMPRES WITH APPROVED BRAND OF WATER PROOF GLUE.
  - NECESSARY CUT-A-WAYS TO BE DONE TO SUIT AT SITE.
  - THREAD SHOULD BE DYED & BONDED AND THE COLOUR OF THREAD SHOULD MATCH WITH THE COLOUR OF REXINE. THE PITCH OF THE STITCH SHALL BE 2 TO 3 mm.
  - COLOUR OF REXINE TO BE 'BLUE 315 OF BHR' AND STAMPED WITH 'INDIAN PLYS' CREST TO ROSO/SK-6806B, ALT.-2.
  - COMPRES TO BE TREATED AGAINST FUNGI, TERMITE, MARINE BORERS & OTHER INSECT ACCORDING TO REQUIREMENTS OF PRESERVATION TREATMENT TO IS: 5539-69, TYPE-IV (COPPER CHROME ARSENIC COMPOSITION).
  - FELT & REXINE PACKING TO BE PASTED PROPERLY ON THE FRAME WITH APPROVED BRAND OF ADHESIVE.
  - P.U. FOAM TO BE DIRECTLY MOULDED AND NOT TO BE FABRICATED.
  - SKIN OF P.U. FOAM SHOULD BE UNIFORM WITHOUT CRACKS OR JOINTS.
  - REXINE SHOULD BE STITCHED IN SUCH A MANNER THAT NO FOLDS ARE VISIBLE AT THE CORNERS.
  - BEARING PIN SHOULD BE COVERED BY REXINE AND SHOULD BE PASTED WITH APPROVED BRAND OF ADHESIVE.
  - SLOT FOR SUSPENSION STRAP SHOULD NOT BE COVERED BY REXINE.
  - REXINE (ITEM-7) TO BE PASTED PROPERLY AT THE BOTTOM OF THE BERTH WITH APPROVED BRAND OF ADHESIVE IN SUCH A MANNER THAT THERE SHOULD BE NO BALOONING.
  - FOR OTHER DETAILS REFER DRAWING NO. AE6144B SHEET 1 OF 2.
  - ALTERNATIVELY MOULDED P.U. FOAM TO ROSO/SPEC. C-8914 (REV. 1) MAY BE USED FOR ITEM-6.
  - PROVISION OF FIRE BARRIER AROUND P.U. FOAM TO CLAUSE 2.2.3 OF ROSO SPEC C-8914 SHOULD BE ENSURED.

ALT. NO.	ALT. DATE	ZONE	ALTERATIONS	AUTHORITY
e	17/03/2004	I-15 F-15 H-4	1. DESCRIPTION AND MATL. SPEC. OF ITEM 6 WAS FOAM RUBBER AND MDT5-013. 2. ITEM 20 DELETED. 3. NOTE 1,8,9 UPDATED. NOTE 16 DELETED AND 17 ADDED.	DIC NO. M0040011
f	28/07/2004	I13, J13 ALL	1. CORE HOLES DELETED FROM THE BOTTOM OF P.U. FOAM. 2. DRG. ADJUSTED IN ONE SHEET.	DIC NO. M0040043

Entered  
Date

4 AUG 2004



ITEM	QTY	UNIT	DESCRIPTION	STANDARD	REMARKS
28	4	NIL	REXINE 375X515	ROSO/SPEC. C-9503 TY-II	NIL
27	4	NIL	REXINE 280X515	ROSO/SPEC. C-9503 TY-II	NIL
26	2	NIL	FELT 3X280X515	IS: 1719-88 TAB-1, MEDIUM	NIL
25	2	NIL	FELT 3X375X515	IS: 1719-88 TAB-1, MEDIUM	NIL
24	2	NIL	REXINE PACKING 1X8X546	ROSO/SPEC. C-9503, TYPE-I	NIL
23	1	NIL	REXINE PACKING 1X31X1612	ROSO/SPEC. C-9503, TYPE-I	NIL
22	1	NIL	REXINE PACKING 1X31X1605	ROSO/SPEC. C-9503, TYPE-I	NIL
21	3	NIL	REXINE PACKING 1X100X515	ROSO/SPEC. C-9503, TYPE-I	NIL
20	1	NIL	GADA CLOTH 825X1978	IS: 1094-76 VAR.3	NIL
19	15	LHM09	PLAIN WASHER A 5.5	IS: 2016-1957 ALUMINIUM	ITEM-3
18	15	IS: 2907-64	CSK. HD. RIVET 5X12	IS: 740-77 TAB-3, F16.3 64430	NIL
17	2	IS: 7173-89	TAPPING SCREW ISO 1481 ST 3.5X16-F	NIL	MDTS 057
16	70	LHM03	SLOT PAN HD TAPP SCREW STEEL ST4.2X13-F	IS: 7173-1989 STEEL	ITEM-37
15	1	NIL	SEWING THREAD L-5000	IS: 4229-92 6.6; VAR. L2	#
14	1	NIL	COTTON THREAD Ø 3X5000	IS: 1720-79	NIL
13	1	CC61188	NAME PLATE	NIL	NIL
12	2	CE43336	ANGLE MOLDING	NIL	L=358
11	1	CE43336	ANGLE MOLDING	NIL	L=1605
10	1	CE43336	ANGLE MOLDING	NIL	L=2000
9	1	NIL	L.P. PANEL 1.5X578X1775	ROSO/SPEC. C-9502	0
8	2	NIL	SIDE REXINE 150X600	ROSO/SPEC. C-9503, TYPE-II	+
7	1	NIL	TOP REXINE 1450X1900	ROSO/SPEC. C-9503, TYPE-II	+
6	1	NIL	P.U. FOAM 95X583X1795	ROSO/SPEC. C-8914	%
5	1	NIL	FELT 6X53X1685	IS: 1719-88 TAB-1, MEDIUM	NIL
4	1	NIL	FELT 6X53X2700	IS: 1719-88 TAB-1, MEDIUM	NIL
3	1	NIL	COMPRES PANEL 4X511X1708	ROSO/SPEC. C-9407, TYPE-I	*
2	2	NIL	GADA CLOTH 1X150X600	IS: 1094-76 VAR.-3	NIL
1	1	A6144B	FRAME	NIL	NIL

WELD LENGTH	ITEM	DESCRIPTION & DIMENSIONS	ASSEMBLY	DETAIL DRG	MATL. & SPEC.	REMARKS
NIL	GROUP	SEAT & UPPER BERTHS	SUPERSEDES: AE6144B ALT. e			
28,000	WEIGHT	FILE	ae61448c.prt (20)			
<b>LONGITUDINAL UPPER BERTH COMPLETE FOR ACCN COACH</b>						
RAIL COACH FACTORY, KAPURTHALA						
<b>INDIAN RAILWAYS STANDARD</b>					SCALE	SSE/REC
DRG. NO. NIL					1:5	CHD
PRG. NO. AE61448					1:1	DUGL
DATE OF FIRST ISSUE: 03/12/1998					DRN	DHRM
CGM BY: [Signature]					REF. DRG. NO.	NIL
DATE OF FIRST ISSUE: 03/12/1998					BY CME	N.R.
DATE OF FIRST ISSUE: 03/12/1998					ALT. C	SIZE (A) SHEET (1/1)

ANY MANUAL ALTERATION SHALL AUTOMATICALLY RENDER THIS DRAWING INVALID. FOR UNTOLERANCED DIMENSIONS REFER MDG0008

DATE OF FIRST ISSUE: 03/12/1998

CGM BY: [Signature]

INDIAN RAILWAYS STANDARD

PRG. NO. NIL

DRG. NO. AE61448