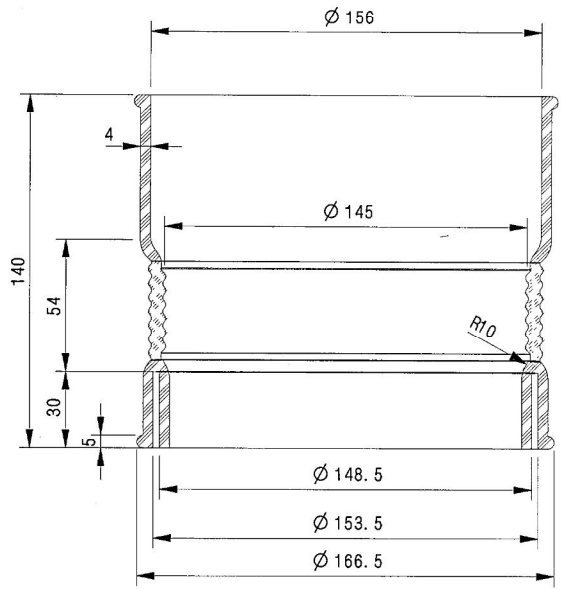
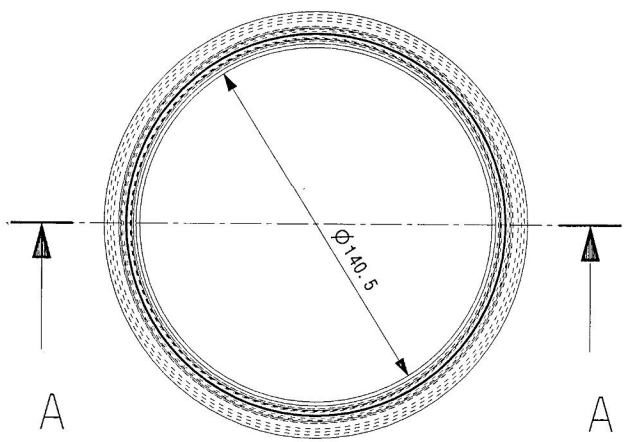


1	2	3	4	5	6	7	8	9	10	11	12	13
---	---	---	---	---	---	---	---	---	----	----	----	----

ALT. NO	ALT. DATE	ZONE	ALTERATIONS	AUTHORITY
a	13/04/2013	ALL	OVERALL DESIGN AND MATERIAL CHANGED.	DY. CME/D-3
b	15/05/2013	E-6 F-9	1. BELLOW ADDED. 2. NOTES CHANGED.	DY CME/D-3



SECTION A-A

THIS DRAWING IS THE INTELLECTUAL PROPERTY OF RAIL COACH FACTORY, KAPURTHALA. THIS DRAWING SHOULD NOT BE REPRODUCED, ALTERED, USED FOR MANUFACTURING OF COMPONENTS, SOLD OR TRANSFERRED WITHOUT PERMISSION FROM CHIEF DESIGN ENGINEER, RAIL COACH FACTORY, KAPURTHALA.

Entered  
 into  
 system on  
 Date 18  
**18 MAY 2013**

- MATERIAL CAN BE TPE OR EPDM.
- FOR TPE, MATERIAL TO BE PROCURED FROM:
  - MULTIFLEX TES A7505 CQU1 BLK 23005 OF MULTIBASE INDIA LTD.
  - SANTOPRENE 101-73 OF EXXONMOBIL CHEMICAL COMPANY.
- FIRM CAN OFFER OTHER ALTERNATE DESIGN/MATERIAL BUT REQUIRE PRIOR APPROVAL FROM CDE/RCF.

NIL CONNECTOR		NIL	NIL	NOTE 1 TO 3	NIL	
WELD LENGTH	ITEM	DESCRIPTION & DIMENSIONS	QPASSLY	DETAIL DRG	MATL. & SPEC.	REMARKS
NIL	M	GROUP LAV. & ITS FITTINGS	SUPERSEDES: M1005979 ALT a			
WEIGHT	FILE	Z:\m1005979b.prt(3D)				
NIL	KG					SCALE
S. AREA	BIO-DIGESTER CONNECTOR				SSE/REC	1: 2
NIL	M <sup>2</sup>					CHD
LENGTH / D-I-A	RAIL COACH FACTORY, KAPURTHALA				DRN	JPSN
NIL	M	REF. DRG. NO. NIL				SONI
WIDTH / THICK	रैन कोच फैक्टरी कपुरथला				IRS	PL NO. NIL
NIL	M					DRG. NO. M1005979
HEIGHT	ADE/SME				DY. CME	CDE
NIL	M					ALT. b
						SIZE A3 SHEET 1/1

G  
 DETAIL DRGS STARTING WITH "LI" ARE INTERNAL REFERENCE LISTS ONLY AND ARE NOT FOR ISSUE.  
 THIS IS A COMPUTER GENERATED DRAWING. ANY MANUAL ALTERATION SHALL AUTOMATICALLY RENDER IT INVALID.  
 FOR UNTOLERANCED DIMENSIONS REFER MDG0008 DATE OF FIRST ISSUE 12/04/2013 CGM BY *Belwan*

1	2	3 &	4	5	6	7	8	9	10	11	12	13
---	---	-----	---	---	---	---	---	---	----	----	----	----