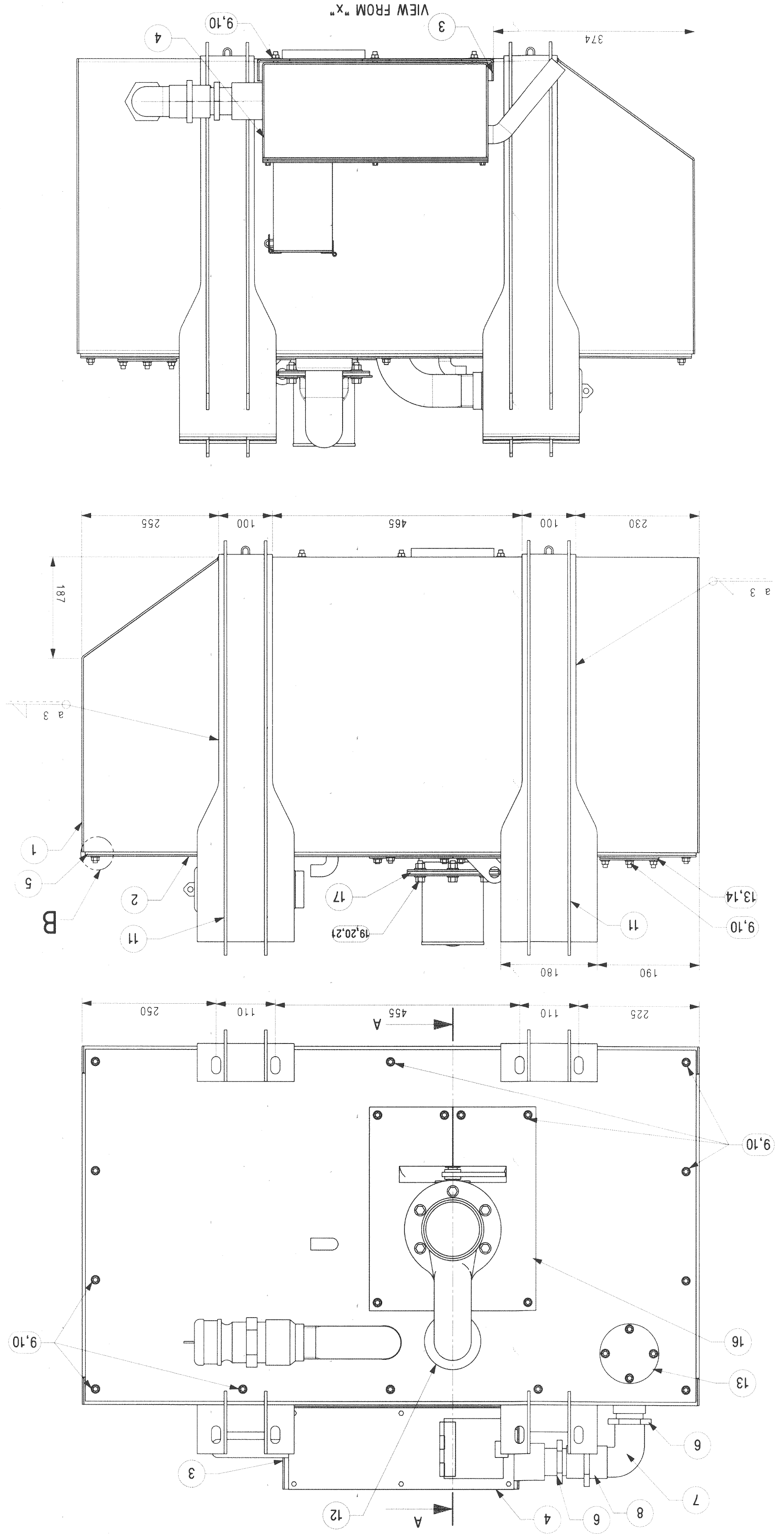


THIS DRAWING IS PROPERTY OF RDSO.
 THE COPYRIGHT, DESIGN RIGHT AND/OR OTHER INTELLECTUAL
 PROPERTY RIGHTS OF THIS DRAWING BELONGS TO THE RDSO ONLY.
 UNAUTHORIZED REPRODUCTION, DISCLOSURE OR USE OF THIS DRAWING
 IS PROHIBITED.

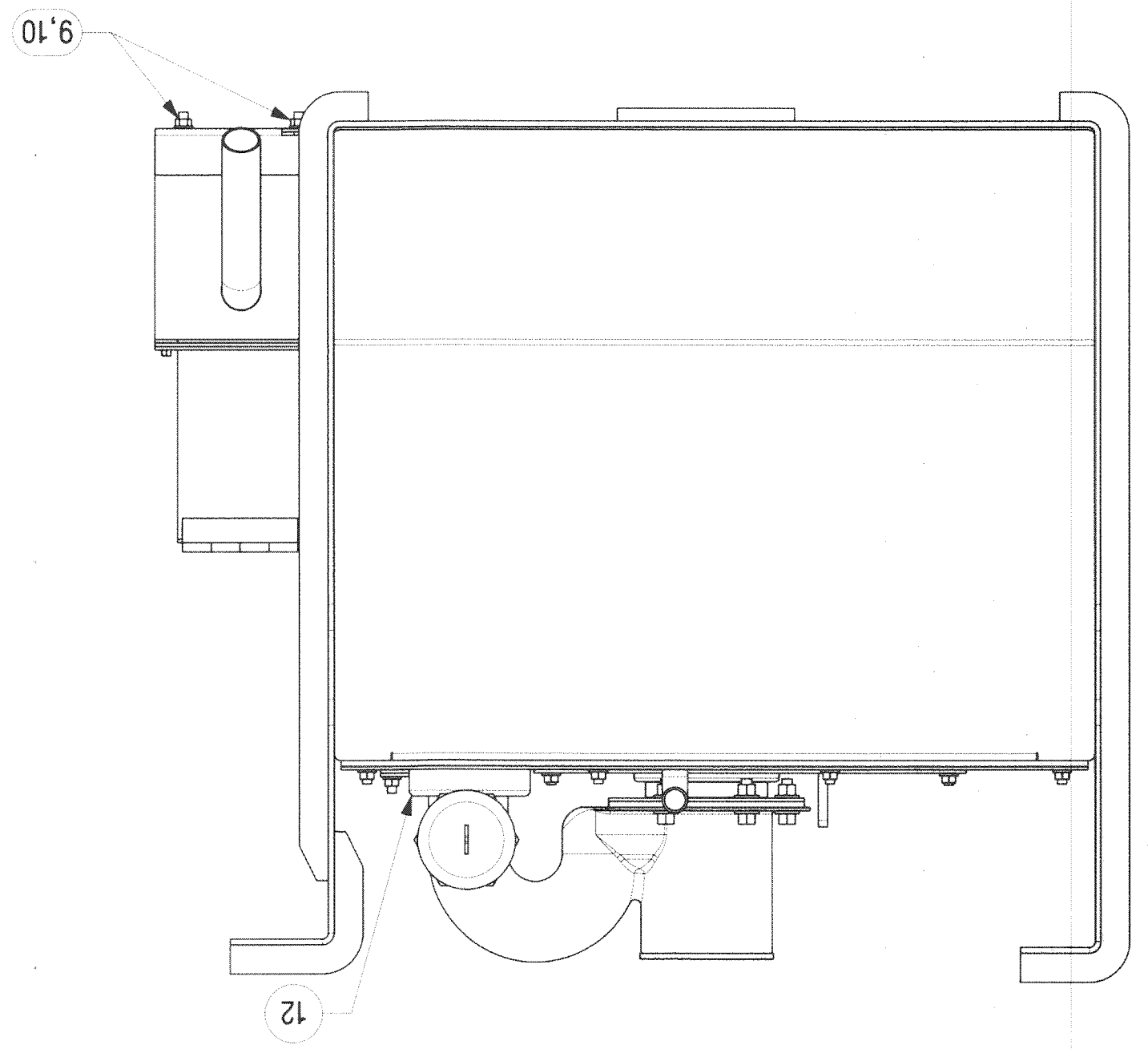


ALT. ITEM AUTHY.	CDIC NO. :-	ASSEMBLY DRGS.
	K-503	REFERENCE :-
DESCRIPTION	DATE	

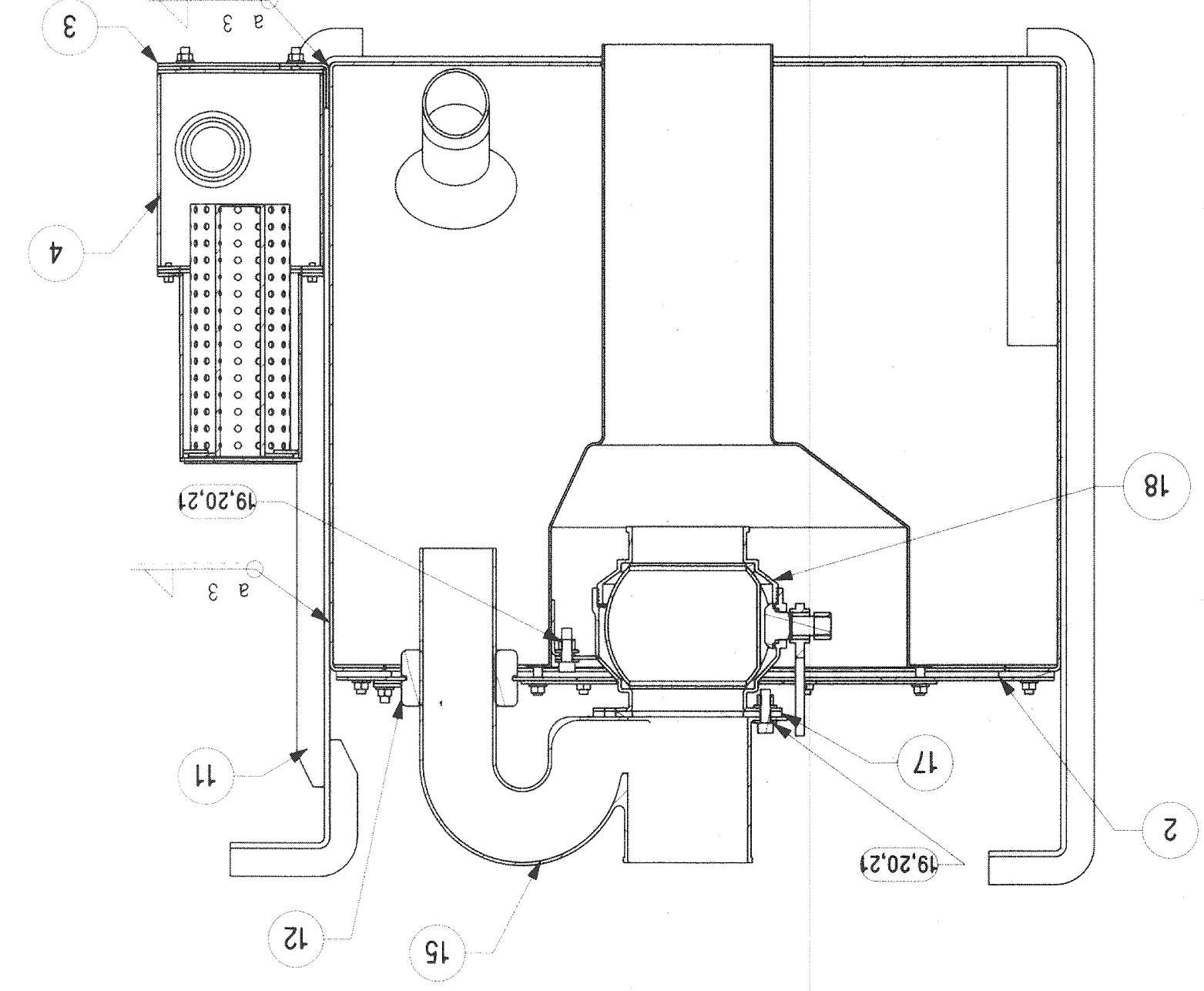
B.G.	R.D.S.O.	SCALE P
CG-14054	SS/47/14	ICF/RCF TYPE COACHES
		BIO-DIGESTER TANK COMPLETE
		FITTED WITH SCREW COUPLING

ITEM NO	DESCRIPTION & DIMENSIONS	REF. DRG.	WT. OF ONE	REMARKS
1	IR-DRDE TANK	CG-14056		
2	TOP COVER WITH EVACUATION INTERFACE ASSEMBLY	CG-14058		
3	FRAME FOR CHLORINATOR	CG-12013		
4	CHLORINATOR COMPLETE	CG-12012		
5	RUBBER SEALING	CG-14064		
6	HEX NIPPLE EQUAL 50MM	IS: 1239 PT. 2 AISI304		
7	ELBOW MALE AND FEMALE 2"	IS: 1239 PT. 2-92 TABLE-15, AISI304		
8	UNION 2" UT	IS: 1874-87 TABLE-10, AISI 304		
9	S.S. HEX NUT M8(A2-70)	TO IS: 1367 PT. 17		
10	SPRING WASHER B8	IS: 3063-94		
11	MOUNTING BRACKET	CG-14063		
12	RUBBER SEALING	CG-14095		
13	COVER PLATE FOR LAST CHAMBER	AISI316L		
14	RUBBER SEALING FOR COVER PLATE	EPDM RUBBER	SHORE HARDNESS 60 MAX.	
15	P-TRAP 100 MM	CG-14055		
16	COVERING SHEETS	CG-14062		
17	SEALING RUBBER FOR BALL VALVE	CG-14096		
18	BALL VALVE 4"	CG-14097		
19	S.S. HEX HEAD SCREW M10x25	TO A2-70 TO IS: 1367 PT. 14-84 IS: 1364 PT. 2-2002		
20	S.S. HEX NUT M10(A2-70)	TO IS: 1367 PT. 17 IS: 1364 PT. 2-2002		
21	SPRING WASHER B10	IS: 3063-94		

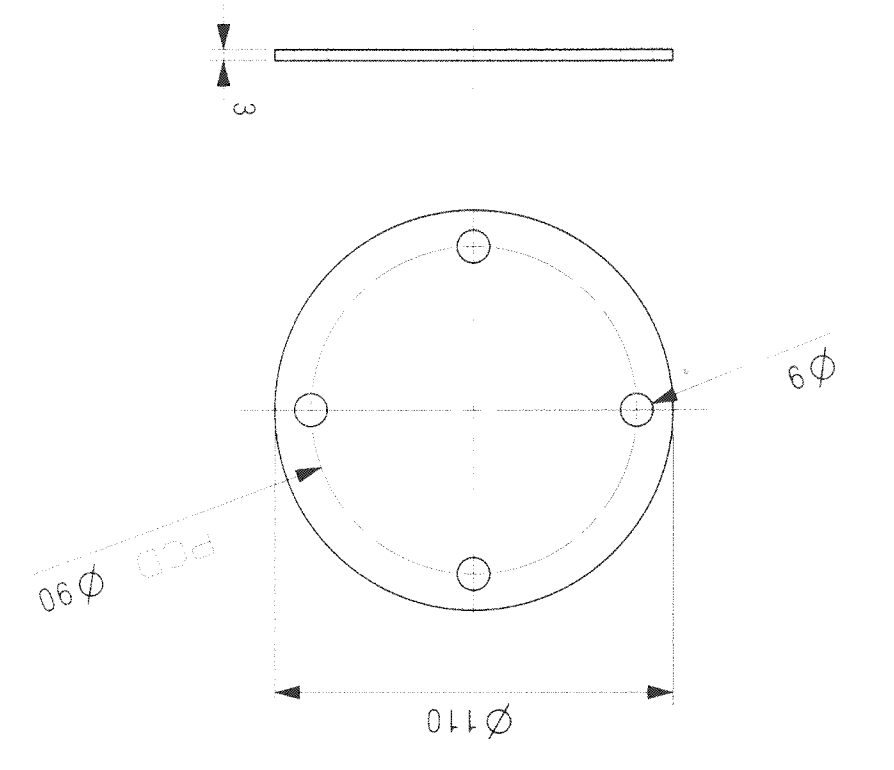
→ X



SECTION A-A



SCALE 1:2
 DETAILS OF ITEM NO. 13 & 14



SCALE 1:1
 DETAIL B

