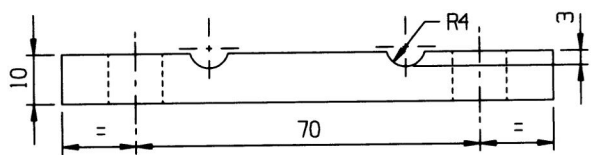
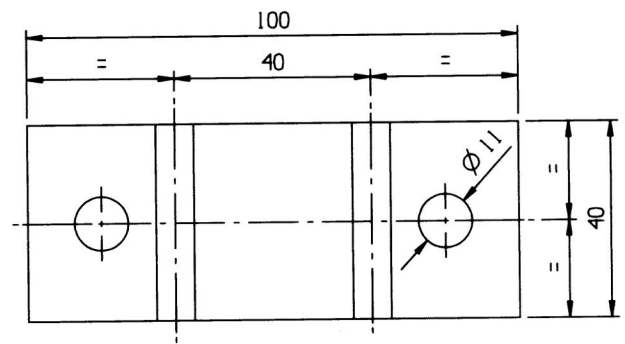


1	2	3	4	5	6	7	8	9	10	11	12	13
---	---	---	---	---	---	---	---	---	----	----	----	----

ALT. NO.	ALT. DATE	ZONE	ALTERATIONS	AUTHORITY
NIL	NIL	NIL	NIL	NIL



**NOTE :-**  
# 1. EQUIV. TO AISI: 304 S1

Checked  
#  
Date  
Inte  
प्रविष्टिया की  
Date Base

MAY

WELD LENGTH	WELD TYPE	DESCRIPTION & DIMENSIONS	SPASLT	DETAIL DRG	MATL. & SPEC.	REMARKS
NIL	M	LAVATORY & IT'S FITTINGS		DRWNO: NIL		
WEIGHT	FILE	/users2/furnish/lvtry/cc63115.prt				
0.300	KG	SCALE: DBE/REC				
S. AREA	PLATE					1:1
NIL	M <sup>2</sup>	DRAWN: [Signature]				
LENGTH / S-A	RAIL COACH FACTORY, KAPURTHALA					REF. NO. 40570
0.100	M	INDIAN RAILWAYS STANDARD				
WIDTH / THICK	PL NO. 00205400					
0.040/0.010	DRG. NO. CC63115					
HEIGHT	M	Material: 304 S1	Part: Lavatory	Rev: 1.5.01	DATE: 15/03/2001	ALT.: NIL
NIL	M	Drawn: [Signature]	Checked: [Signature]	Rev: [Signature]	DATE: [Signature]	SIZE: A3 SHEET: 1/1

DETAIL DRGS STARTING WITH "LI" ARE INTERNAL REFERENCE LISTS ONLY AND ARE NOT FOR ISSUE.  
THIS IS A COMPUTER GENERATED DRAWING. ANY MANUAL ALTERATION SHALL AUTOMATICALLY RENDER IT INVALID.  
FOR UNTOLERANCED DIMENSIONS REFER MDG0008

1	2	3	4	5	6	7	8	9	10	11	12	13
---	---	---	---	---	---	---	---	---	----	----	----	----