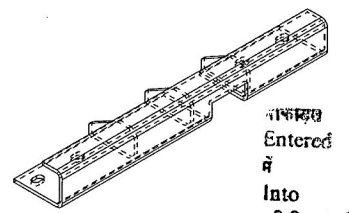
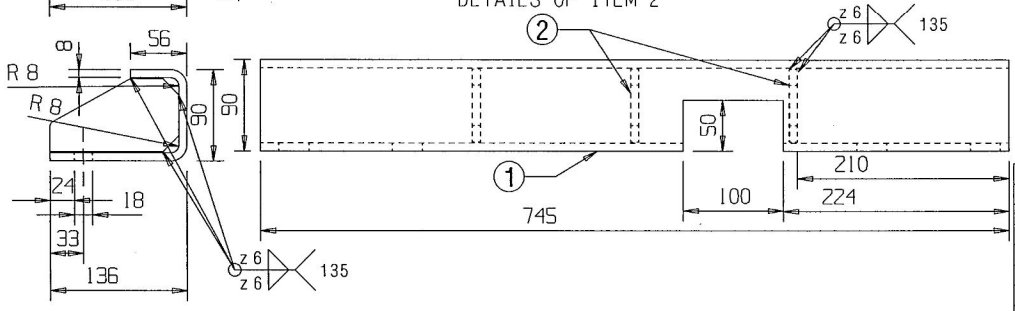
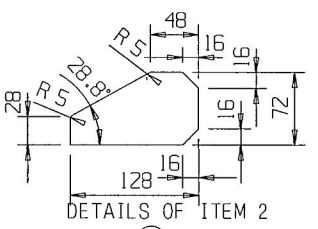
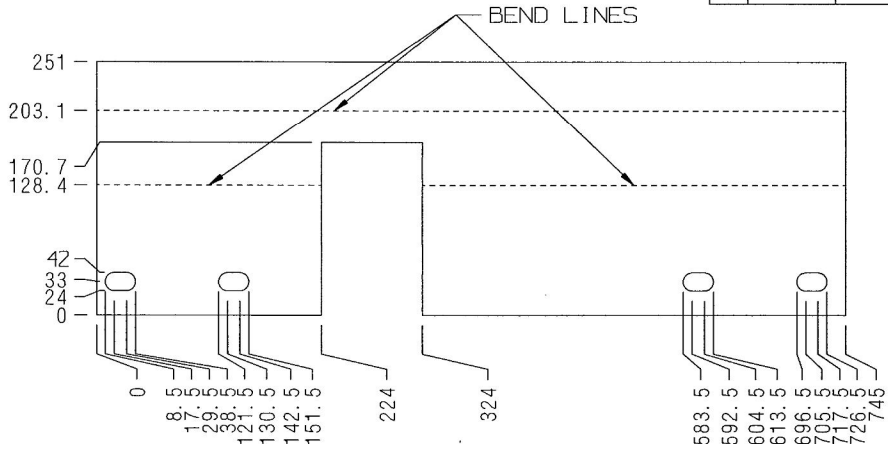
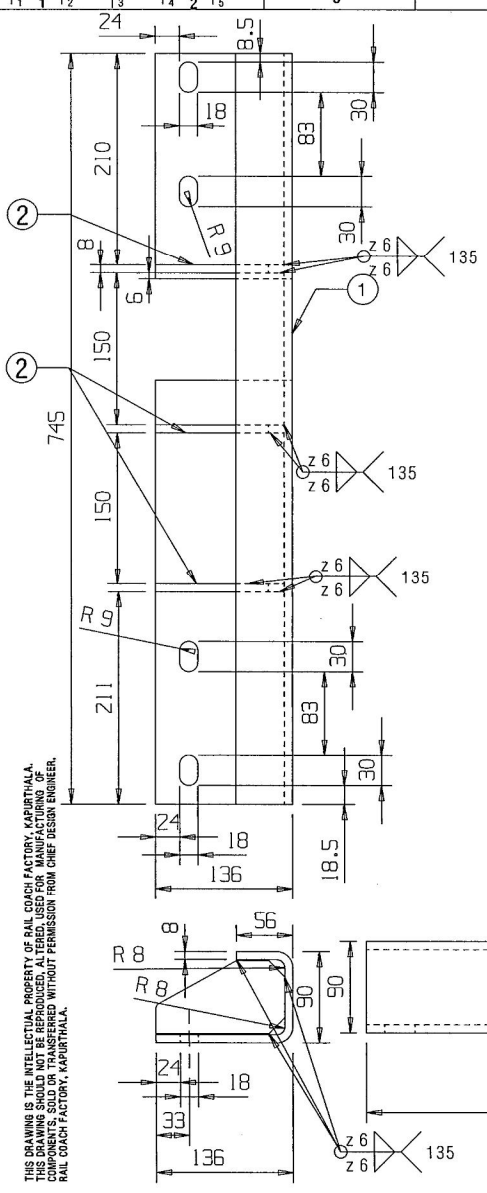


ALT. NO.	ALT. DATE	ZONE	ALTERATIONS	AUTHORITY
b	31/03/2014	ALL	DRG. MODIFIED.	DY. CME/D3



Entered  
में  
Date Bas

07 APR 2014

2	RIB 8X72X128	3	NIL	IRS: M-41-97	NIL
1	SHEET 8X251X745	1	NIL	IRS: M-41-97	NIL
ITEM	DESCRIPTION & DIMENSIONS	OPASSLY	DETAIL DRG	MATL. & SPEC.	REMARKS
GROUP	UNDERFRAME	SUPERSEDES: MI005842 ALT a			
FILE	Z:\mi005842b.pr1(3D)				

WELD LENGTH	NIL
WEIGHT	12.020 KG
S.AREA	NIL
LENGTH /-D+A	0.745 M
WIDTH /-H+G	0.136 M
HEIGHT	0.090 M

**MOUNTING BRACKET**

RAIL COACH FACTORY, KAPURTHALA		SCALE	SSE/REC	JPSN
रेल कोच फैक्टरी कपूरथला		1:5	CHD	BHAG
IRIS	PL NO.	NIL		
DRG. NO.	MI005842			
ALT.	b	SIZE	A3	SHEET 1/1

THIS DRAWING IS THE INTELLECTUAL PROPERTY OF RAIL COACH FACTORY, KAPURTHALA. COMPONENTS SOLD OR TRANSFERRED WITHOUT PERMISSION FROM CHIEF DESIGN ENGINEER, RAIL COACH FACTORY, KAPURTHALA.

DETAIL DRGS STARTING WITH "LI" ARE INTERNAL REFERENCE LISTS ONLY AND ARE NOT FOR ISSUE.  
THIS IS A COMPUTER GENERATED DRAWING. ANY MANUAL ALTERATION SHALL AUTOMATICALLY RENDER IT INVALID.

FOR UNTOLERANCED DIMENSIONS REFER MDG0008	DATE OF FIRST ISSUE	03/07/2013	CGM BY	<i>[Signature]</i>
---	---------------------	------------	--------	--------------------

16.09.2009

A  
B  
C  
D  
E  
F  
G

A  
B  
C  
D  
E  
F  
G