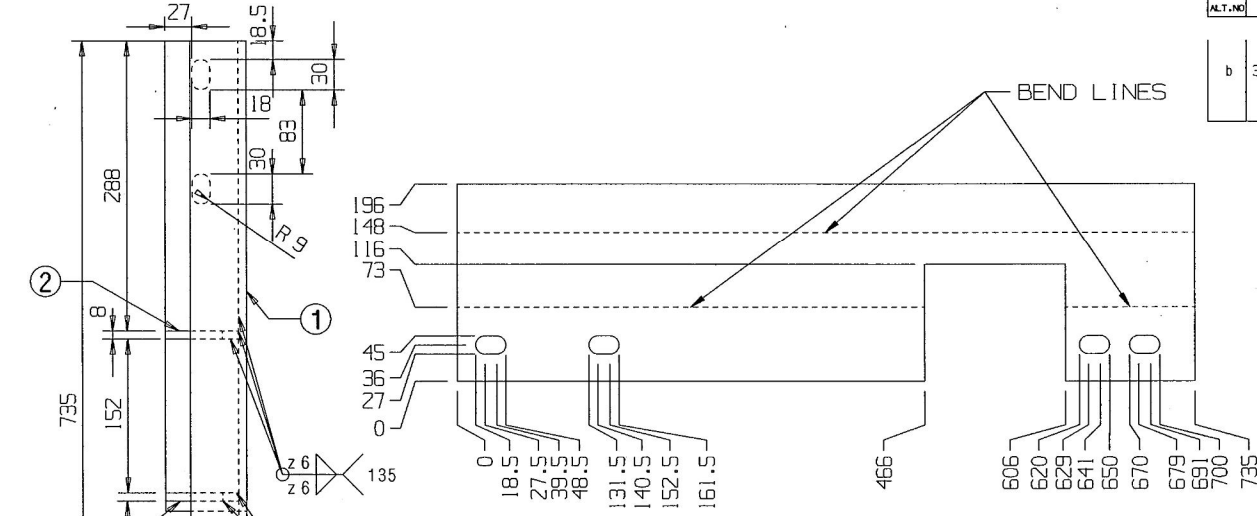
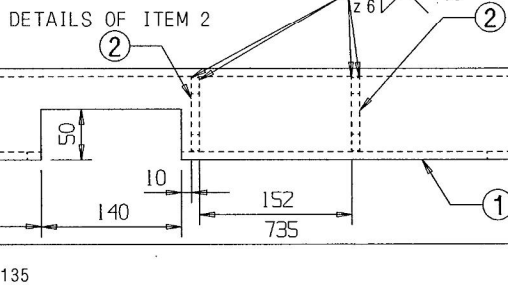
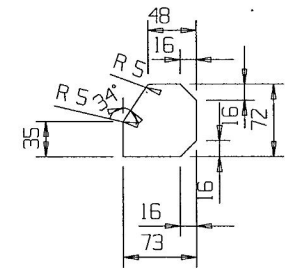


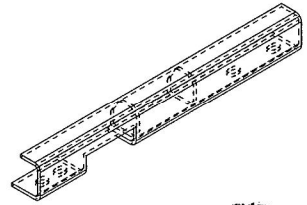
ALT.NO	ALT.DATE	ZONE	ALTERATIONS	AUTHORITY
b	31/03/2014	ALL	CUTOUT MODIFIED.	DY. CME/D3



CO-ORDINATE VIEW OF ITEM 1
(FOR REFERENCE ONLY.)



THIS DRAWING IS THE INTELLECTUAL PROPERTY OF RAIL COACH FACTORY, KAPURTHALA. THIS DRAWING SHOULD NOT BE REPRODUCED, ALTERED, USED FOR MANUFACTURING OF PARTS OR FOR ANY OTHER PURPOSE WITHOUT PERMISSION FROM CHIEF DESIGN ENGINEER, RAIL COACH FACTORY, KAPURTHALA.



फिलिप
Enter
में
into
प्रविष्टियां क
Date Bae.

07 APR 2014

WELD LENGTH	ITEM	DESCRIPTION & DIMENSIONS	OPASSLY	DETAIL DRG	MATL. & SPEC.	REMARKS
NIL	M	GROUP UNDERFRAME				
WEIGHT	FILE Z:\MI005843b.prt (3D)					
8.600	KG					
S.AREA	NIL					
NIL	M2					
LENGTH / DIA	0.735 M					
HEIGHT	0.081 M					
WIDTH / THICK	0.090 M					
MOUNTING BRACKET			SCALE	SSE/REC	CHD JPSN	
RAIL COACH FACTORY, KAPURTHALA			REF.DRG.NO	NIL		
रेलकोच फेक्टरी कपुरथला			IRS	PL NO.	NIL	
FOR UNTOLERANCED DIMENSIONS REFER MDG0008			DATE OF FIRST ISSUE	03/07/2013		
CGM BY			DY.CME			
DRG.NO.			MI005843			
ALT. b			SIZE A3 SHEET 1/1			

DETAIL DRGS STARTING WITH "LI" ARE INTERNAL REFERENCE LISTS ONLY AND ARE NOT FOR ISSUE.
THIS IS A COMPUTER GENERATED DRAWING. ANY MANUAL ALTERATION SHALL AUTOMATICALLY RENDER IT INVALID.