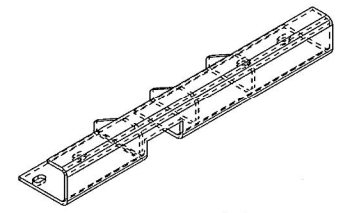
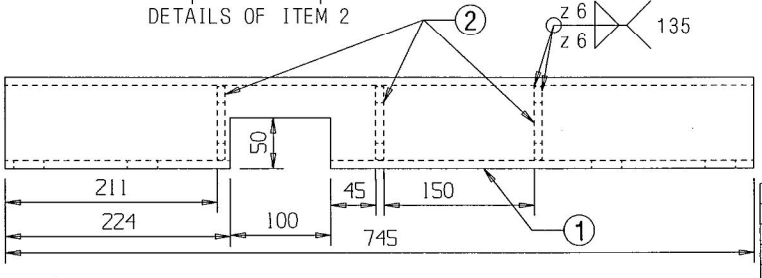
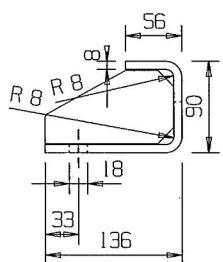
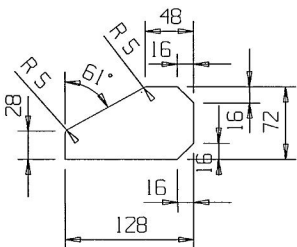
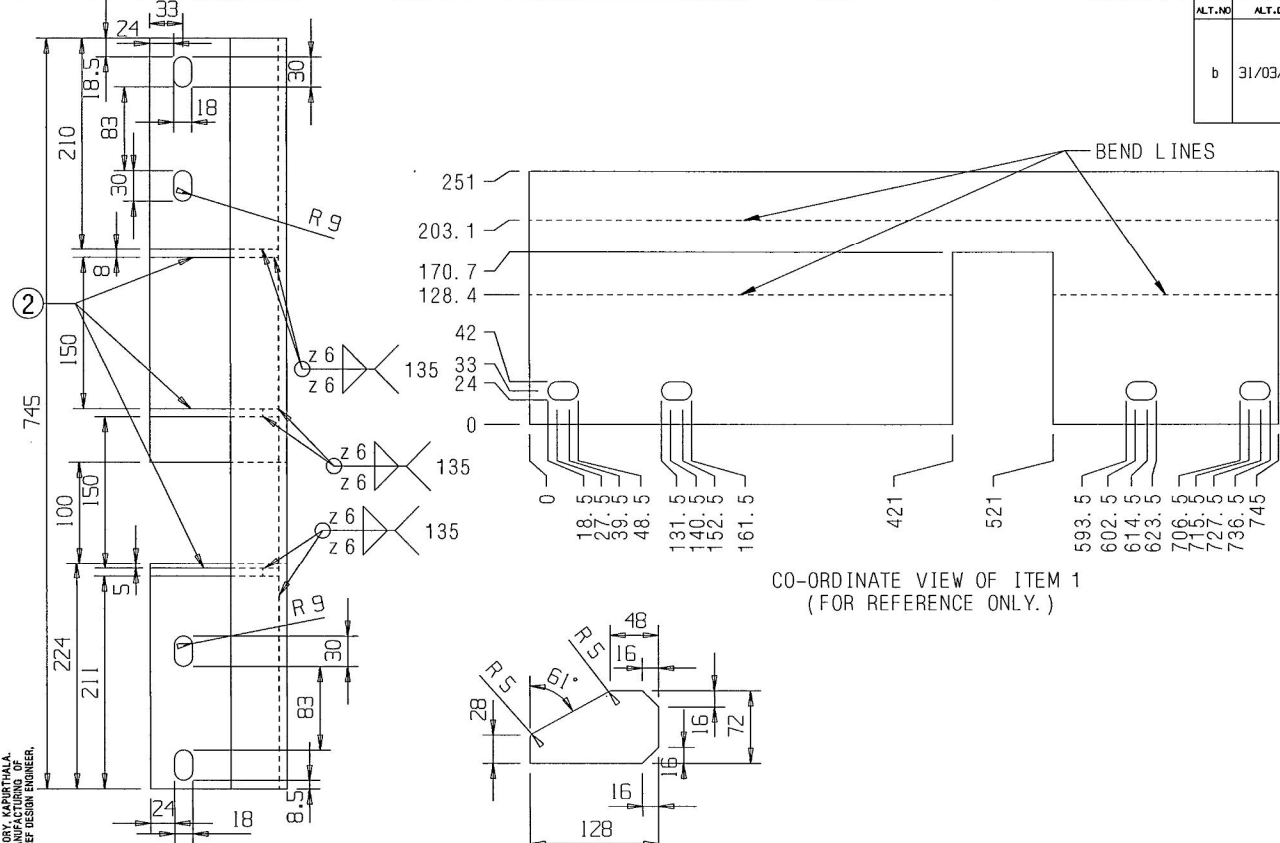


1 2 3 4 5 6 7 8 9 10 11 12 13

ALT. NO.	ALT. DATE	ZONE	ALTERATIONS	AUTHORITY
b	31/03/2014	ALL	CUTOUT MODIFIED.	DY. CME/D3



Enter  
Date

07 APR 2014

THIS DRAWING IS THE INTELLECTUAL PROPERTY OF RAIL COACH FACTORY, KAPURTHALA. NO PART OF THIS DRAWING OR ANY COMPONENTS, SOLD OR TRANSFERRED WITHOUT PERMISSION FROM CHIEF DESIGN ENGINEER, RAIL COACH FACTORY, KAPURTHALA.

2	RIB 8X72X128	3	NIL	IRS: M-41-97	NIL		
1	SHEET 8X251X745	1	NIL	IRS: M-41-97	NIL		
WELD LENGTH	ITEM	DESCRIPTION & DIMENSIONS	OPASSLY	DETAIL DRG	MATL. & SPEC.	REMARKS	
NIL	M	GROUP	UNDERFRAME			SUPERSEDES: MI005849 ALT a	
WEIGHT	FILE Z:\MI005849b.prt (3D)						
12.020	KG	SCALE				SSE/REG	
NIL	M <sup>2</sup>	1:5				CHD	
LENGTH /-D+A	RAIL COACH FACTORY, KAPURTHALA				DRN	BHAG	
0.745	M	REF. DRG. NO. MI005849 ALT-a					
WIDTH /-TH+OK	रेल कोच फैक्टरी कपुरथला				IRS	PL NO. NIL	
0.136	M	DRG. NO. MI005849					
HEIGHT	ADE/SME				DY. CME	CDE	
0.090	M	ALT.   b				SIZE   A3	SHEET   1/1

DETAIL DRGS STARTING WITH "LI" ARE INTERNAL REFERENCE LISTS ONLY AND ARE NOT FOR ISSUE.  
THIS IS A COMPUTER GENERATED DRAWING. ANY MANUAL ALTERATION SHALL AUTOMATICALLY RENDER IT INVALID.

FOR UNTOLERANCED DIMENSIONS REFER MDG0008 DATE OF FIRST ISSUE 03/07/2013 CGM BY *[Signature]*

1 2 3 4 5 6 7 8 9 10 11 12 13