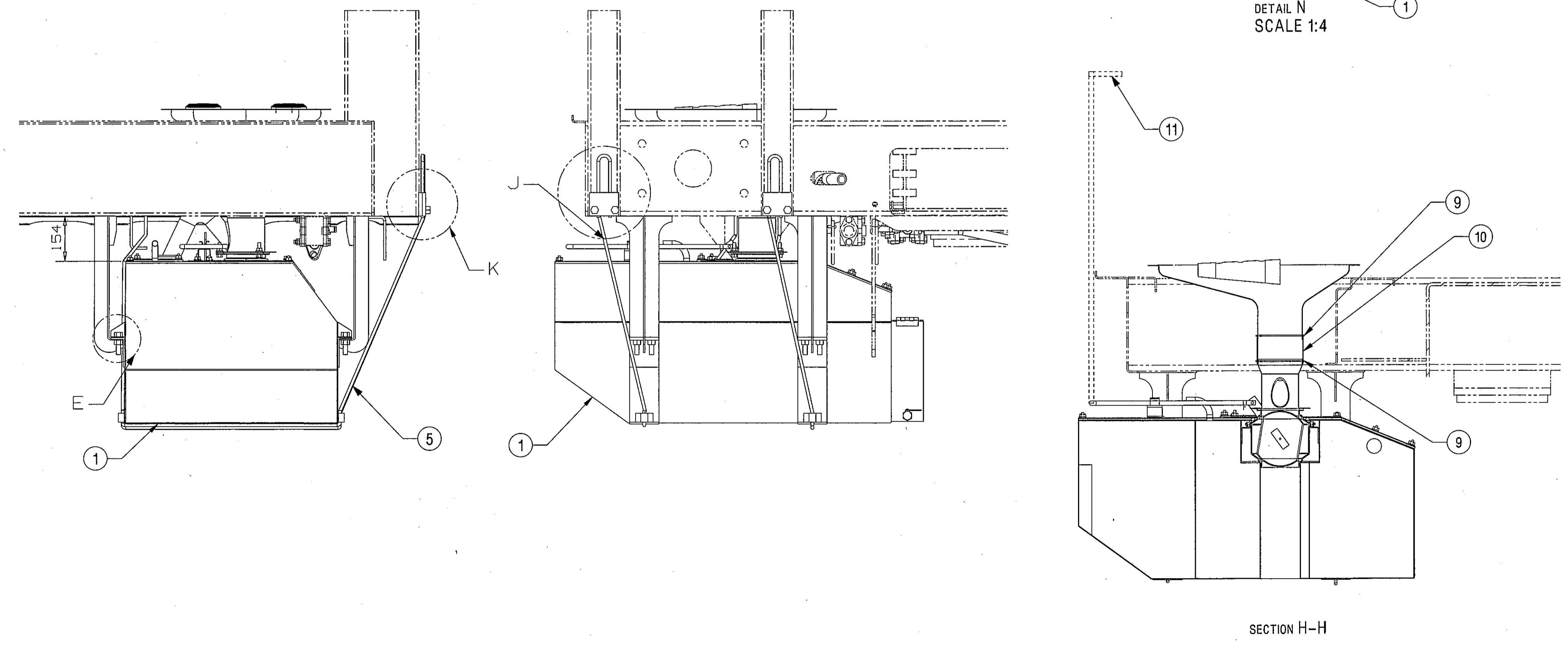
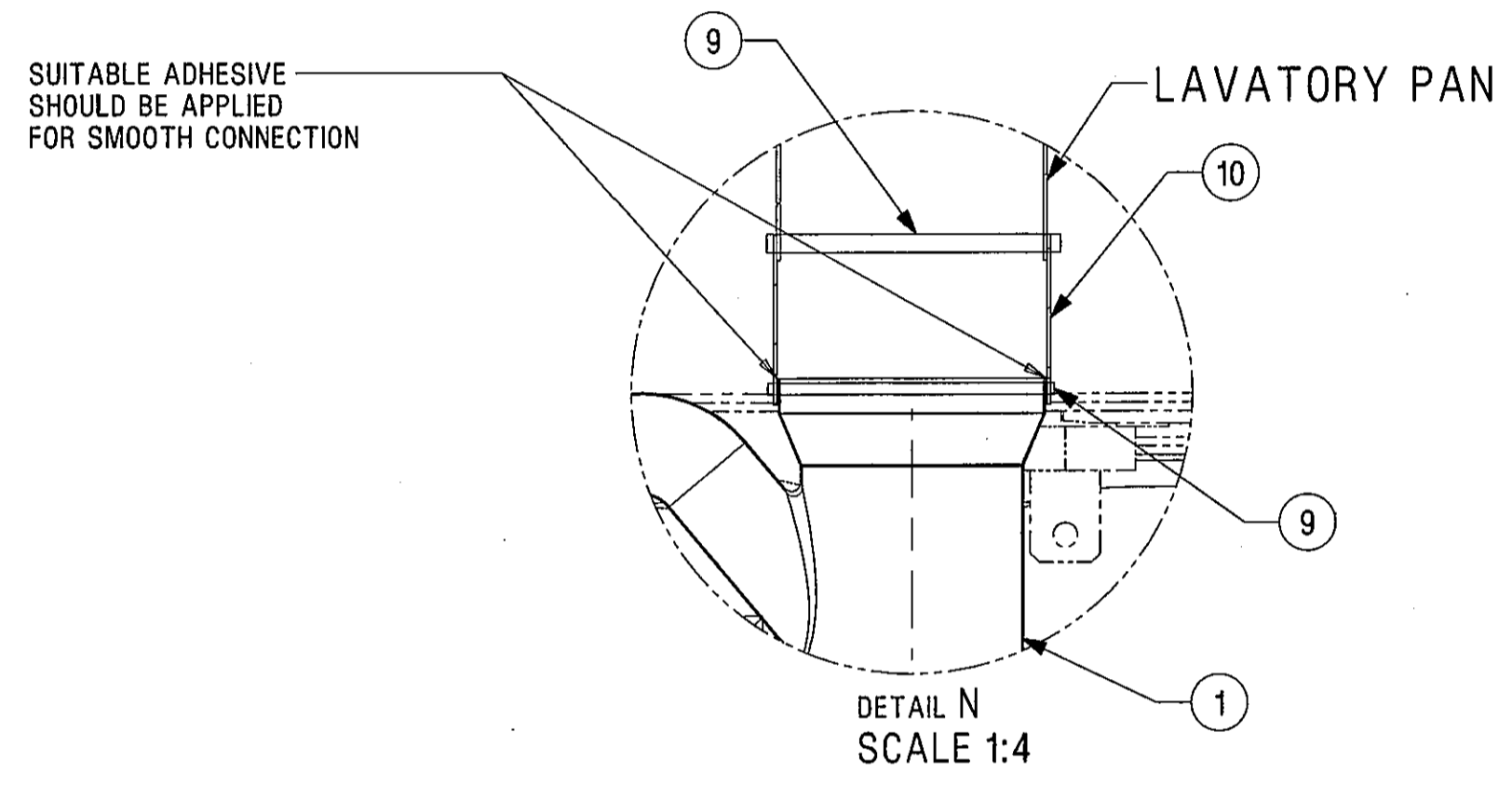
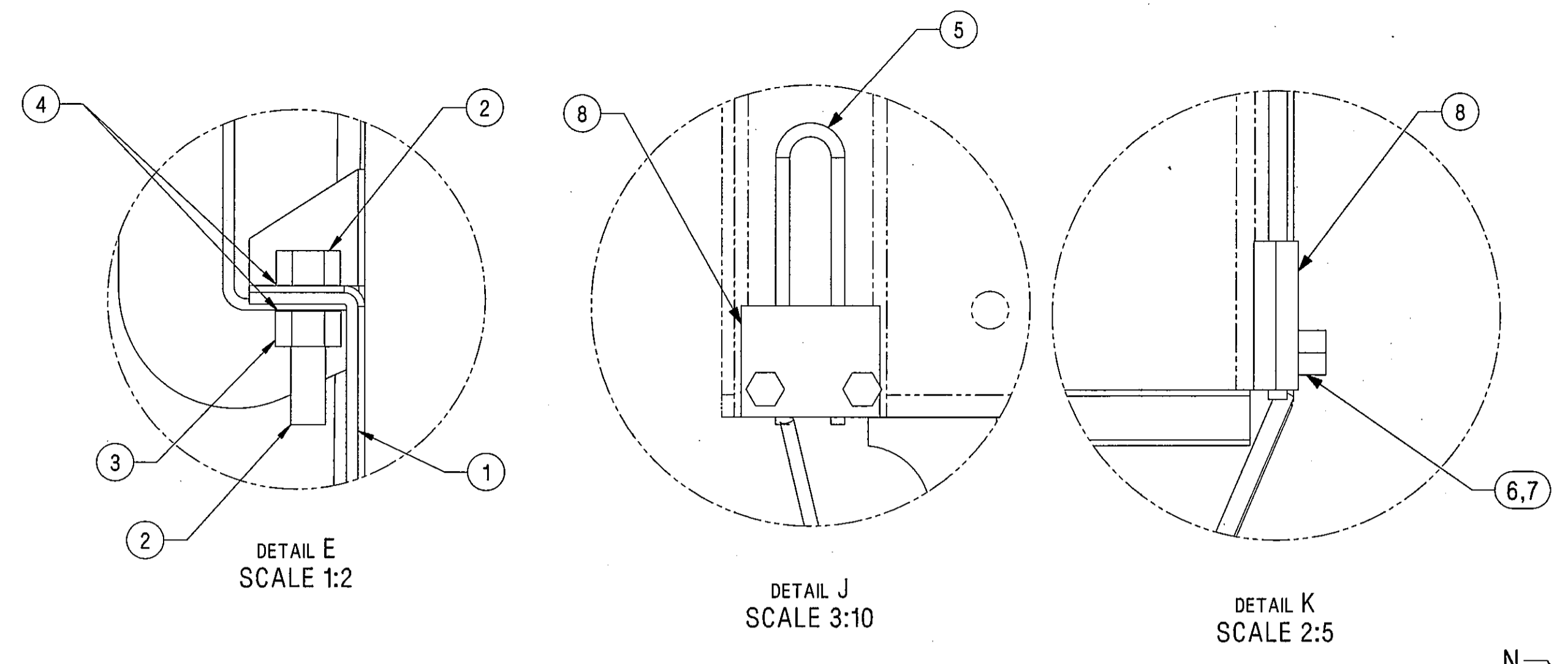
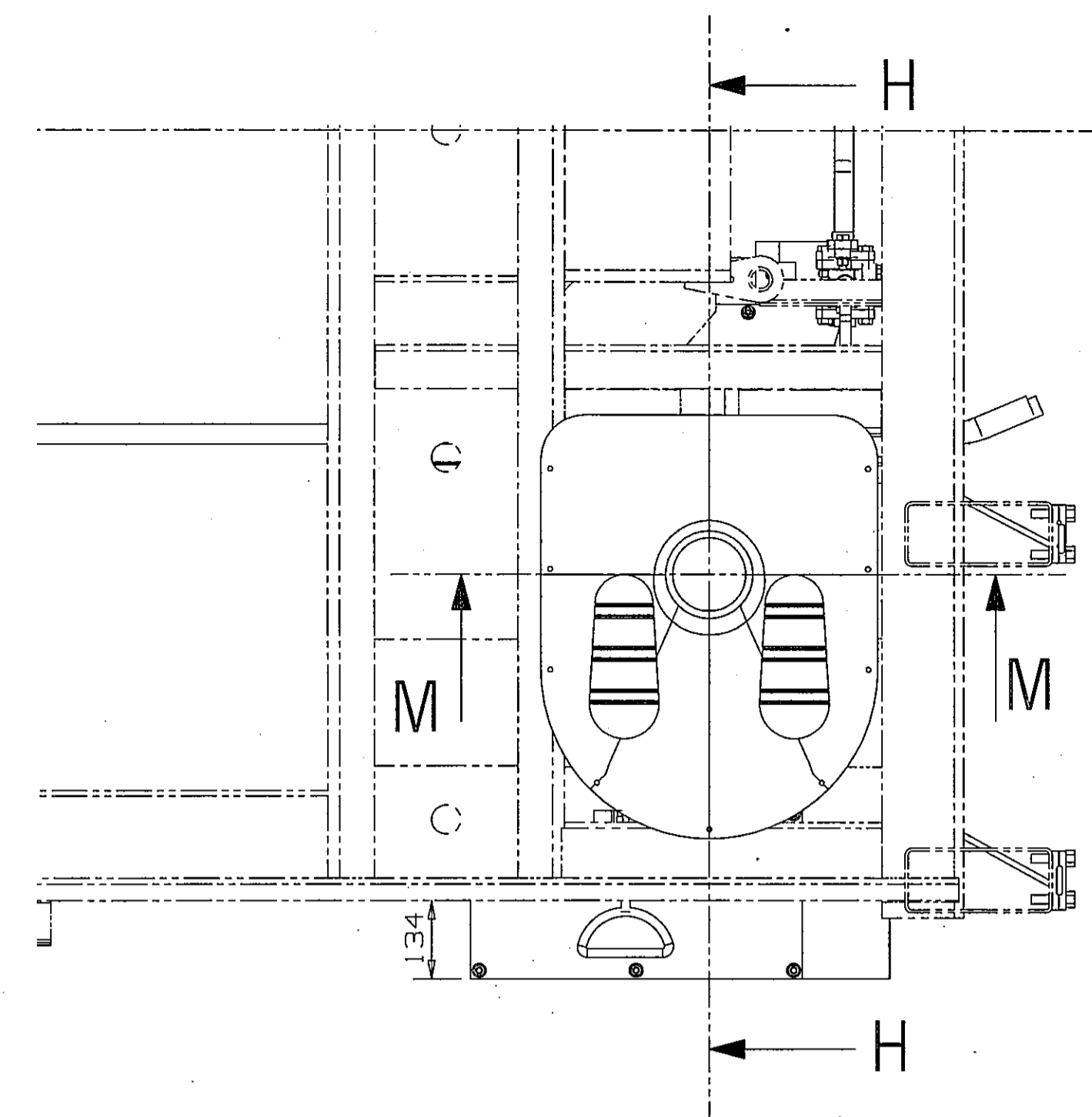


ALT.NO	ALT.DATE	ZONE	ALTERATIONS	AUTHORITY
a	31/01/2012	H-15	DESCRIPTION OF ITEM NO. 9 & 10 CHANGED.	DY.CME/D-3
		H-15	ITEM NO. 11 ADDED.	



ITEM	DESCRIPTION & DIMENSIONS	QTY	ASSEMBLY	DETAIL DRG	MATL. & SPEC.	REMARKS
11	ARRGT. FOR OPERATING 5" BALL VALVE FROM INSIDE LAVATORY	1	NIL	NIL	CLAUSE 3.2 OF MTS-224 REV-01.	
10	RUBBER CONECTOR	1	NIL	EPDM	NIL	
9	CLAMP Ø 150 MM	2	NIL	IS: 4762-84 AISI304	NIL	
8	PLATE	4	CG-11088	AISI 316L	ITEM-2	
7	HEX HEAD SCREW M10X25	8	LIHW02	IS: 1364 PT.2-92 5.6,CE	ITEM-17 COATING TO MTS 057	
6	SPRING WASHER B10	8	LIHW09	IS: 3063-1994	ITEM-21 COATING TO MTS 057	
5	WIRE CABLE, Ø 8MM-7X7	2	NIL	DIN 3055 STAINLESS STEEL	L=3000	
4	SPRING WASHER B16	16	LIHW09	IS: 3063-1994	ITEM-23 COATING TO MTS 057	
3	S.S NYLOC NUT M16 (A2-70 TO IS:1367,PT.14-84)	8	NIL	IS: 7002-2005 ISO-7040	NIL	
2	HEX HEAD BOLT M16X70	8	LIHW01	IS: 1364 PT.1-92 5.6,CE	ITEM-56 COATING TO MTS 057	
1	DRDE BIO-DIGESTER SYSTEM	1	MI005645	NIL	NIL	

WELD LENGTH	ITEM	GROUP	FILE	SCALE	SSE/REC	REF.DRG.No.
NIL	M		\\ibmx3800\firm\sh\kshk\mi005510a.prt (3D)			NIL
NIL	M					
NIL	M					
NIL	M					
NIL	M					
NIL	M					
NIL	M					
NIL	M					
NIL	M					

**MOUNTING OF DRDE BIO-DIGESTER SYSTEM**

RAIL COACH FACTORY, KAPURTHALA

REF.DRG.No. NIL

REL कोच फैक्टरी कपूरथला | IRS | PL NO. NIL

DRG.NO. MI005510

DATE: 14 FEB 2012

DESIGNER: JPSN, KSHK

CHECKED: JPSN, KSHK

DATE: 14/01/12

THIS DRAWING IS THE INTELLECTUAL PROPERTY OF RAIL COACH FACTORY, KAPURTHALA. THIS DRAWING SHOULD NOT BE REPRODUCED, ALTERED, USED FOR MANUFACTURING OF COMPONENTS, SOLD OR TRANSFERRED WITHOUT PERMISSION FROM CHIEF DESIGN ENGINEER, RAIL COACH FACTORY, KAPURTHALA.

"JOINTLY DEVELOPED BY IR & DRDO"