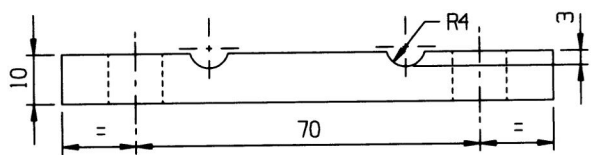
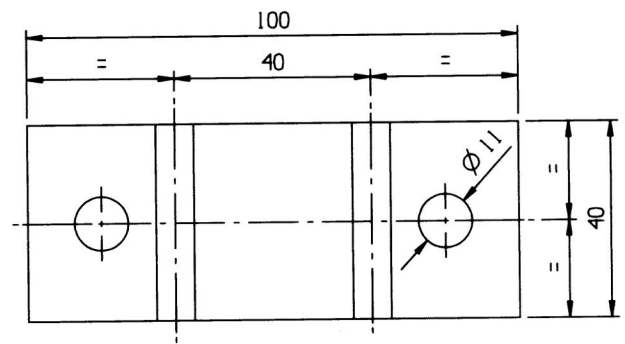


1	2	3	4	5	6	7	8	9	10	11	12	13
---	---	---	---	---	---	---	---	---	----	----	----	----

ALT. NO.	ALT. DATE	ZONE	ALTERATIONS	AUTHORITY
NIL	NIL	NIL	NIL	NIL



NOTE :-
1. EQUIV. TO AISI: 304 S1

Checked
By
Date

MAY

WELD LENGTH	WELD TYPE	DESCRIPTION & DIMENSIONS	SPALLT	DETAIL DRG	MATL. & SPEC.	REMARKS
NIL	M	LAVATORY & IT'S FITTINGS		ENHANCED: NIL		
WEIGHT	FILE	/users2/furnish/lvtry/cc63115.prt				
0.300 KG		SCALE: DBE/REC				
S. AREA		1:1				
NIL M ²		DRG				
LENGTH / S-A		DRW				
0.100 M		RAIL COACH FACTORY, KAPURTHALA				
WIDTH / THICK		REF. NO. 40570				
0.040/0.010M		INDIAN RAILWAYS STANDARD				
HEIGHT		PL NO. 00205400				
NIL M		DRG. NO. CC63115				
		ALT. NIL SIZE A3 SHEET 1/1				

DETAIL DRGS STARTING WITH "LI" ARE INTERNAL REFERENCE LISTS ONLY AND ARE NOT FOR ISSUE.
THIS IS A COMPUTER GENERATED DRAWING. ANY MANUAL ALTERATION SHALL AUTOMATICALLY RENDER IT INVALID.
FOR UNTOLERANCED DIMENSIONS REFER MDG0008

1	2	3	4	5	6	7	8	9	10	11	12	13
---	---	---	---	---	---	---	---	---	----	----	----	----