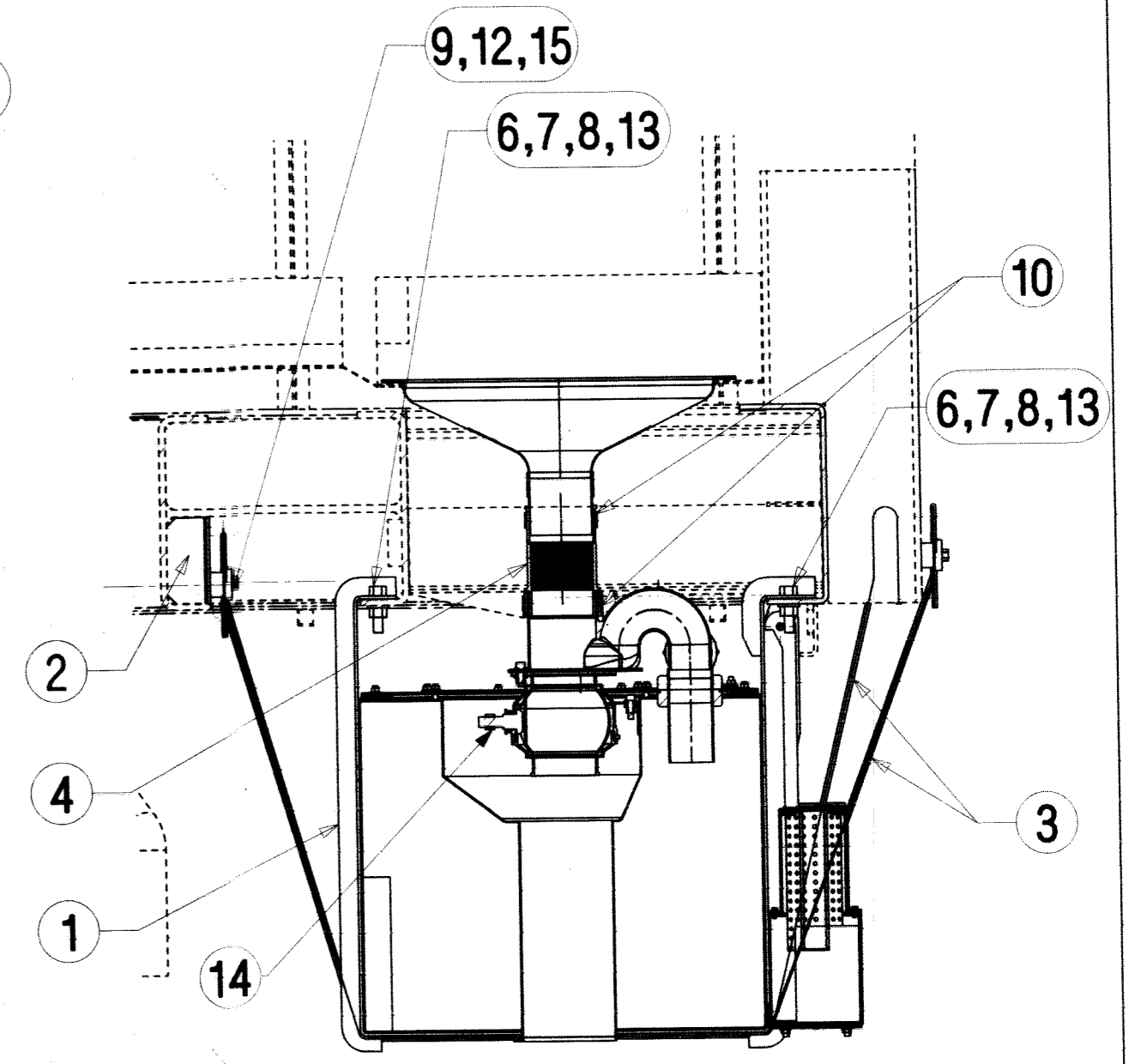
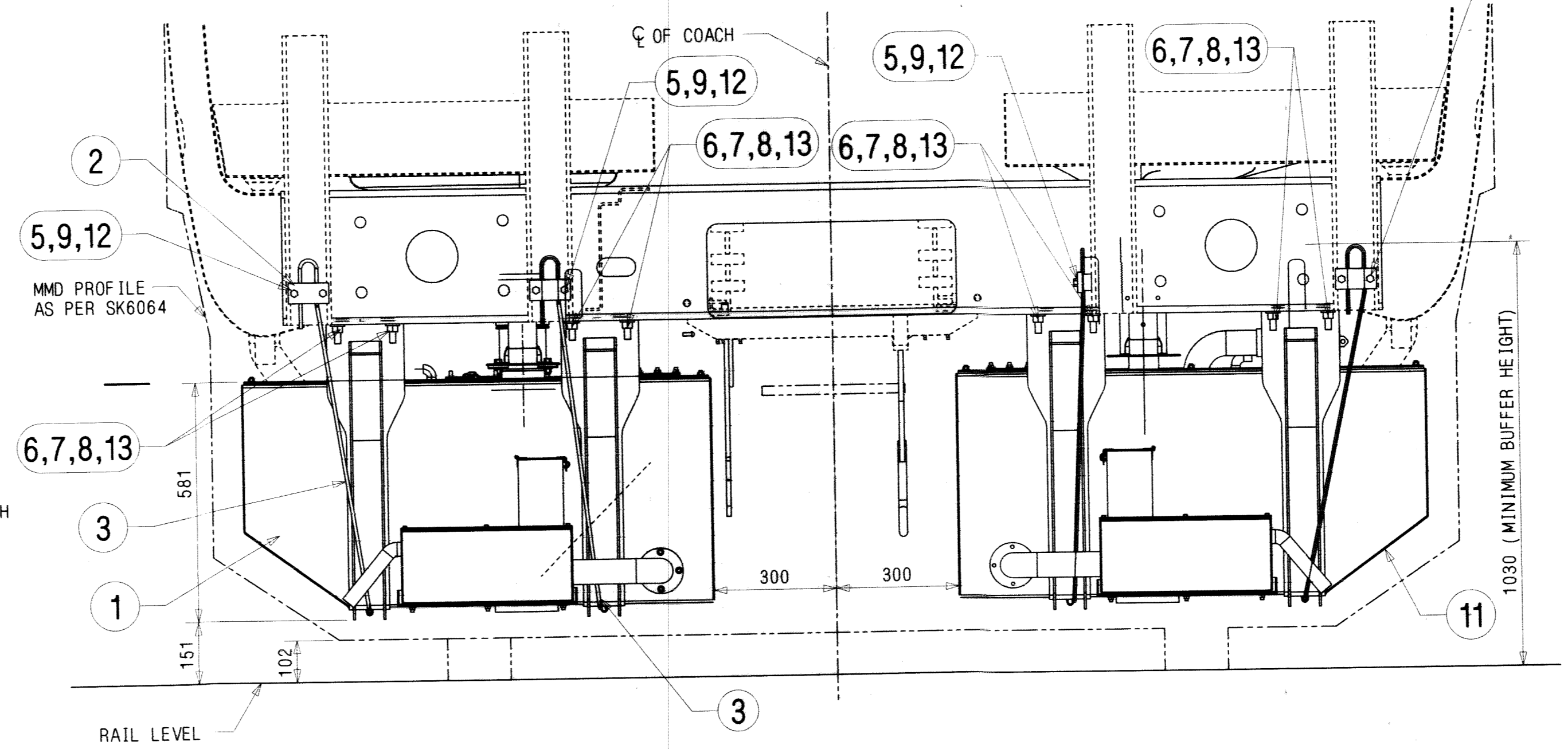
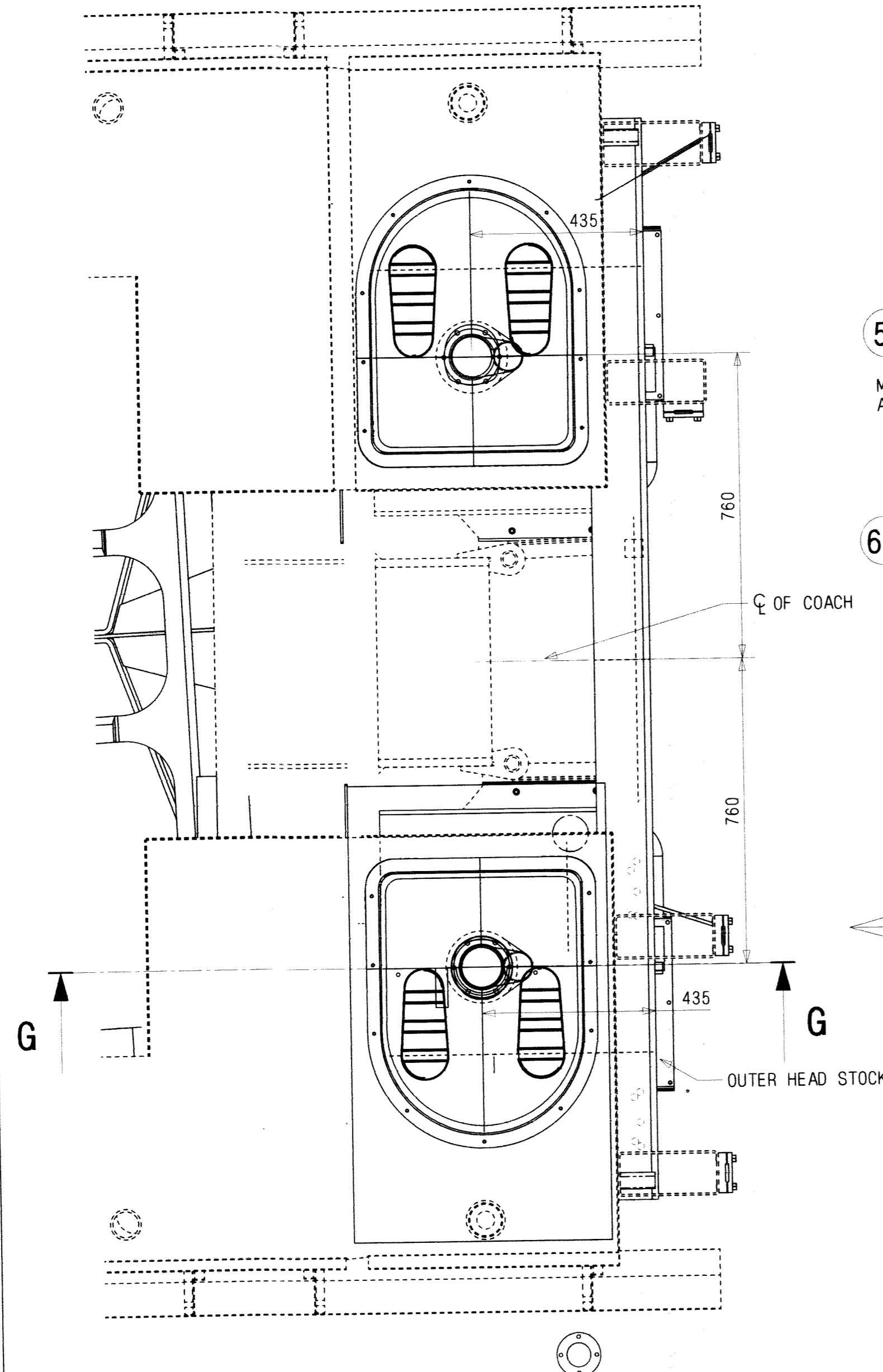
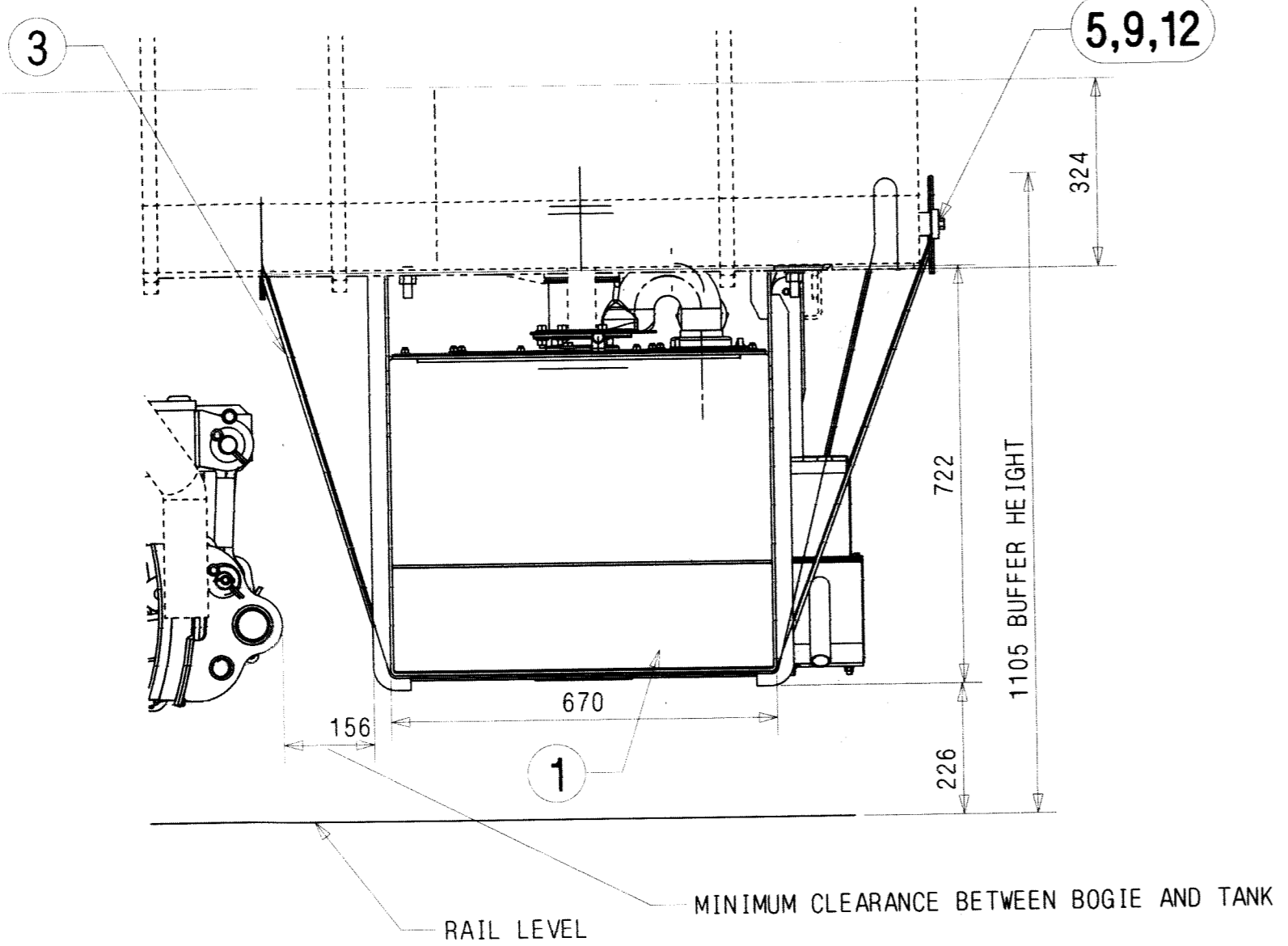


© THIS DRAWING IS THE INTELLECTUAL PROPERTY OF RESEARCH DESIGN AND STANDARD ORGANISATION LUCKNOW. THE COPYRIGHT, DESIGN RIGHT AND/OR OTHER INTELLECTUAL PROPERTY RIGHTS OF THIS DRAWING BELONGS TO RDSO ONLY. UNAUTHORISED REPRODUCTION, ALTERATION, DISCLOSURE OR USE OF THIS DRAWING IS PROHIBITED.



SECTION G-G

VIEW FROM X



NOTE:-

1. Holding bracket/lug for hose coupling is required to be reshifted. Fixing arrangement and welding part on underframe for brackets and safety rope shall generally confirm to RDSO drawing no. CG-14098.
2. Manufacturer of the item shall be TVS or Unbreko or LPS only.
3. Hose connector shall be procured as per lavatory pan outlet Item no.1 is applicable for 100 mm and Item no.2 for 150 mm lavatory pan outlet.

ITEM NO.	DESCRIPTION & DIMENSIONS	QTY	REF. DRG.	WT. OF ONE KIT	MTL. & SPEC.	REMARKS
15	Locking plate	2	CG-15037			
14	BALL VALVE OPENING CLOSING MECHANISM	2	RCF Drg. M1006591		MDS-41493	RCF SPECIFICATION
13	Hexagon Thin Nut M16 (Property class 10 to IS: 1367 Pt. 6 1994)	16			IS: 1364 Pt. 4 2003	#
12	Spring Washer B10	14			IS: 3063-1994	
11	Mirror Assembly of DRDE tank item no. 1	1		123		
10	Clamp Ø 125 mm	2			IS: 4762-84 AIST 304	
9	Hex Head Screw M10x25 (property class 10.9 to IS: 1367 Pt. 3 - 2002)	14			IS: 1364 Pt. 2-92	#
8	Spring Washer B16	16			IS: 3063-1994	
7	Hexagon Nut M16 (Property class 10 to IS: 1367 Pt. 6 1994)	16			IS: 1364 Pt. 3 2002	#
6	Hex Head Screw M16x60 (property class 10.9 to IS: 1367 Pt. 3 - 2002)	16			IS: 1364 Pt. 2 -92	#
5	Locking Plate	4	CG-11088			
4	HOSE CONNECTOR	2	CG-14094		Item no. 1 or Item no. 2.	See note 3
3	SAFETY ROPE Ø 8 7x7	4			DIN 3055 STAINLESS STEEL	L=2900
2	WELDING PARTS ON UNDERFRAME	1	CG-14098			Ø
1	DRDE TANK COMPLETE	1	CG-14054	123		

ALT.	ITEM	AUTH.	DESCRIPTION	CKD.	DATE
2	SS/12/16		1. Quantity of item no. 5, 9, 12 was 8, 16, 16 respectively. 2. Drawing no. of item no. 14 added. 3. Item no. 15 added.		
1	SS/06/16		1. Description of item no. 6, 7, 9 changed for high tensile grade nut bolts of specified make. 2. Item no. 13, 14 added.		

ASSEMBLY DRGS. SUPERSEDED BY:-  
 REFERENCE :- SCALE P 1:5  
 CDIC NO. :- B.G. R.D.S.O. [CG] K-503  
**INDIAN RAILWAYS**  
**ICF/RCF TYPE IR BG COACHES**  
**BOLTED DESIGN IR-DRDO BIO DIGESTER TANK MOUNTING ARRANGEMENT (FOR NON-CBC FITTED COACHES)**  
**CG-14053**