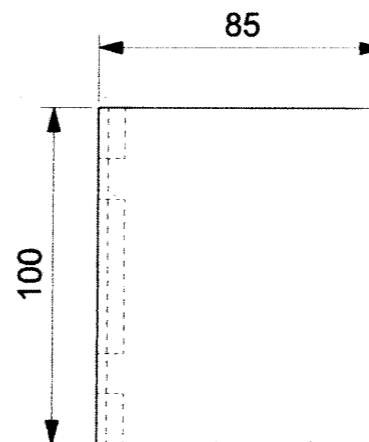
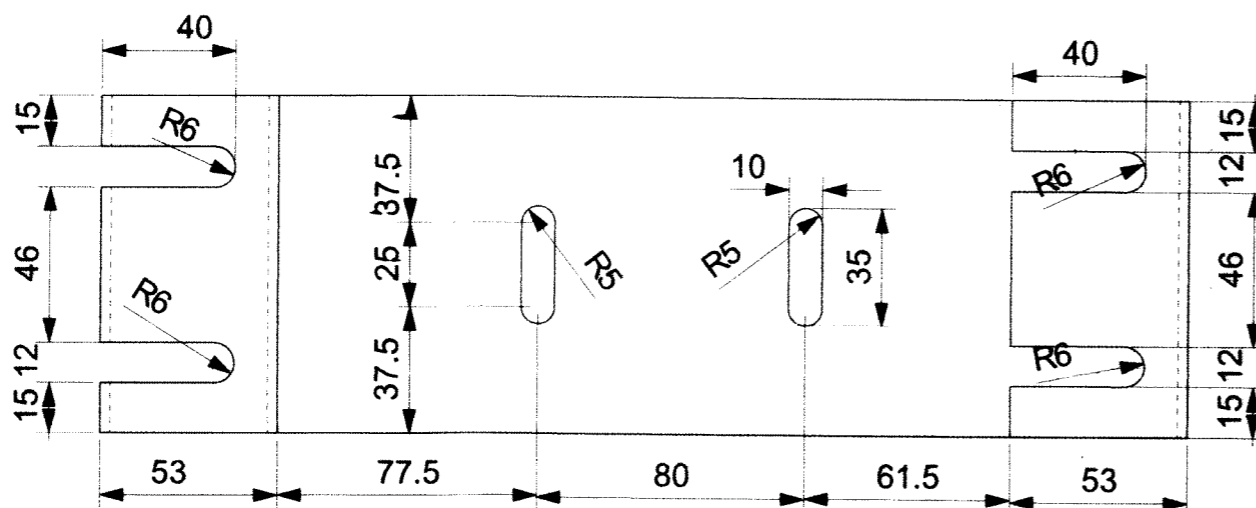


ISO VIEW  
(FOR REFERENCE ONLY)



SHEET 3X100X545		AISI-316L	
ITEM	DESCRIPTION & DIMENSIONS	NO. OF	REF. DRG.
		OFF	

SUPERSEDED BY:-		INDIAN RAILWAYS	
SUPERSEDES:-		ICF/RCF TYPE COACHES	
REFERENCE :-	SCALE	P	BRACKET FOR MOUNTING OF S-TRAP
		C	
		D	
	J.S.	SS/38/16	

ALT.	ITEM	AUTH.	DESCRIPTION	CKD.	DATE	CDIC NO. :- k-503	B.G.	R.D.S.O. [CG]	CG-16011
------	------	-------	-------------	------	------	----------------------	------	------------------	----------