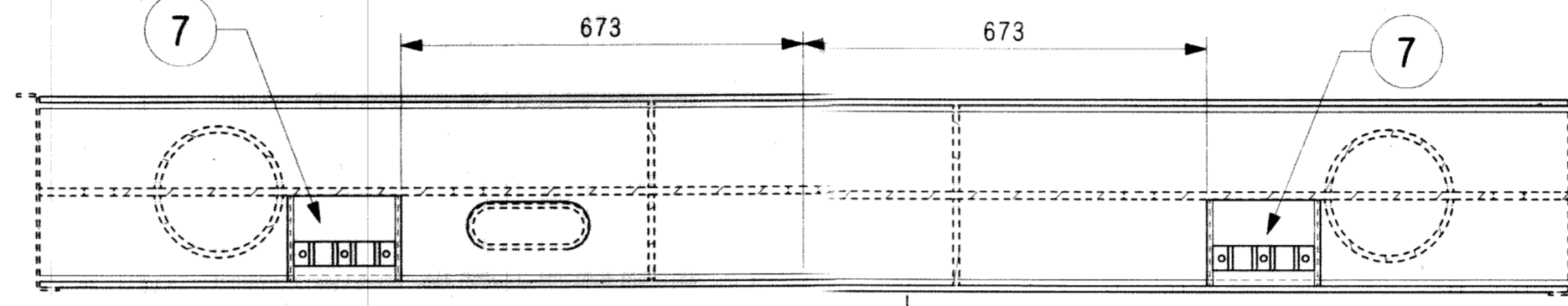
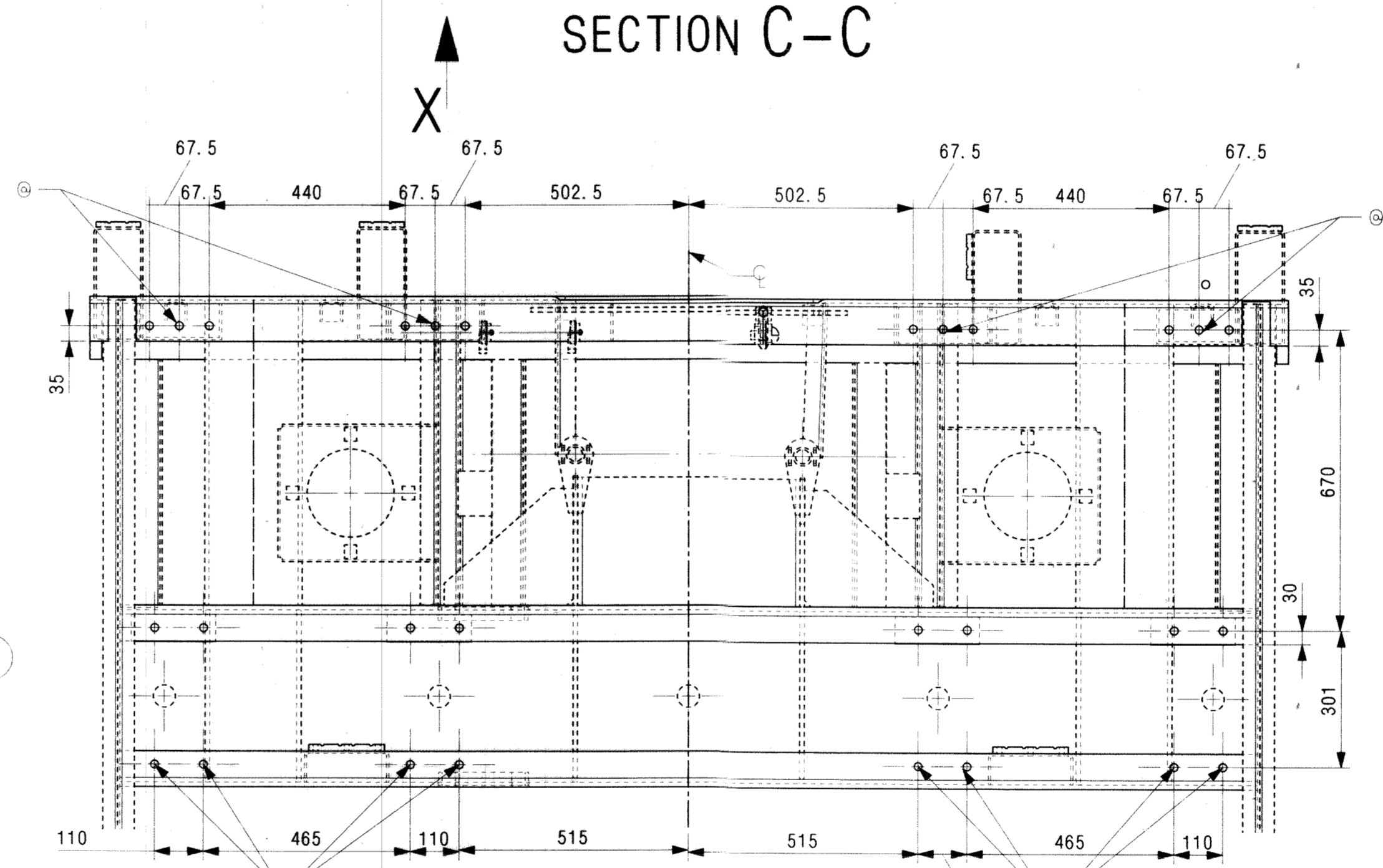


(# LOCATION OF THROUGH HOLES SIZE  $\phi$  18 ON OUTER HEAD STOCK CHANNEL TO BE JIG DRILLED)

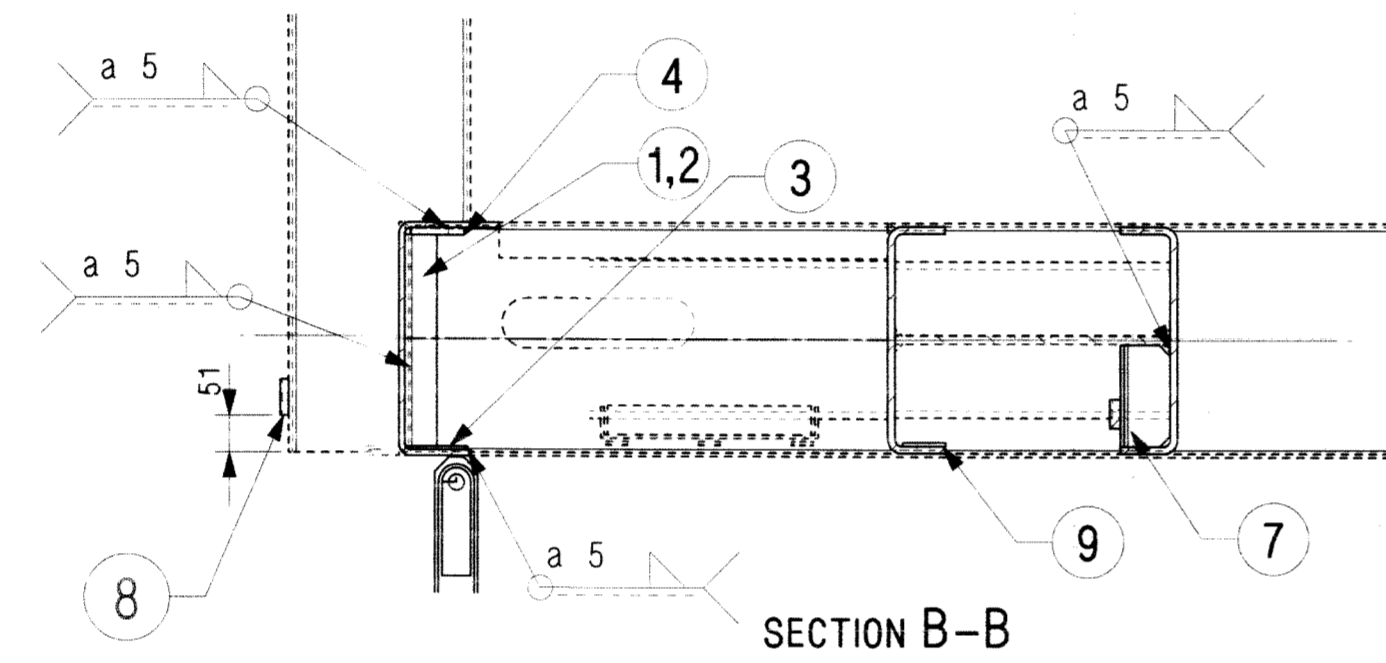
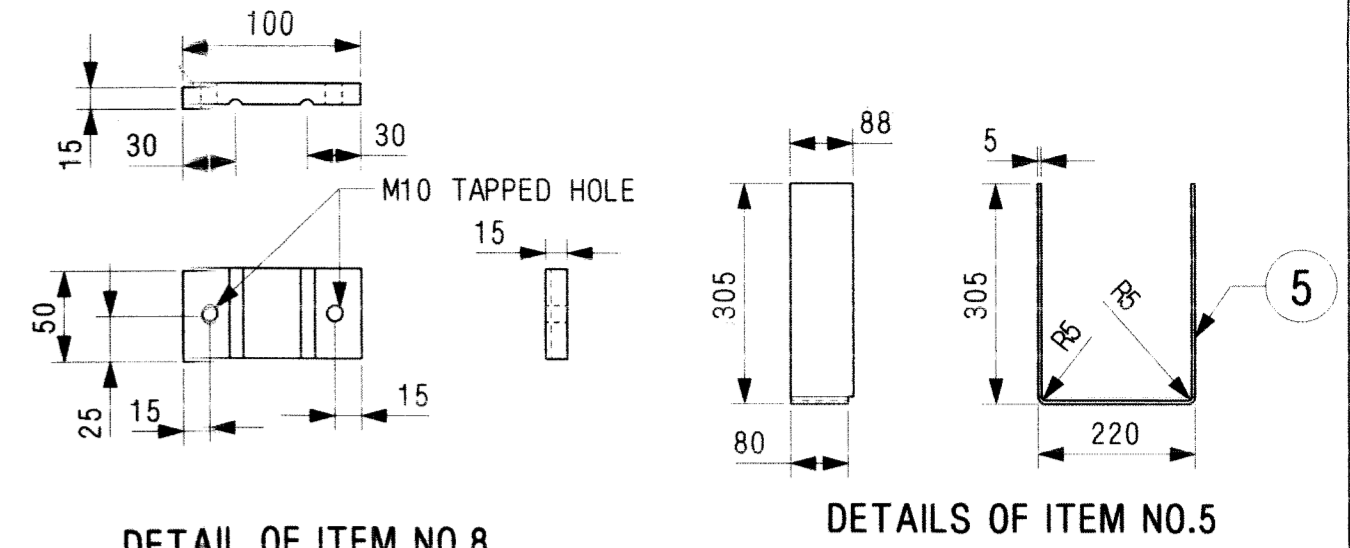


SECTION C-C

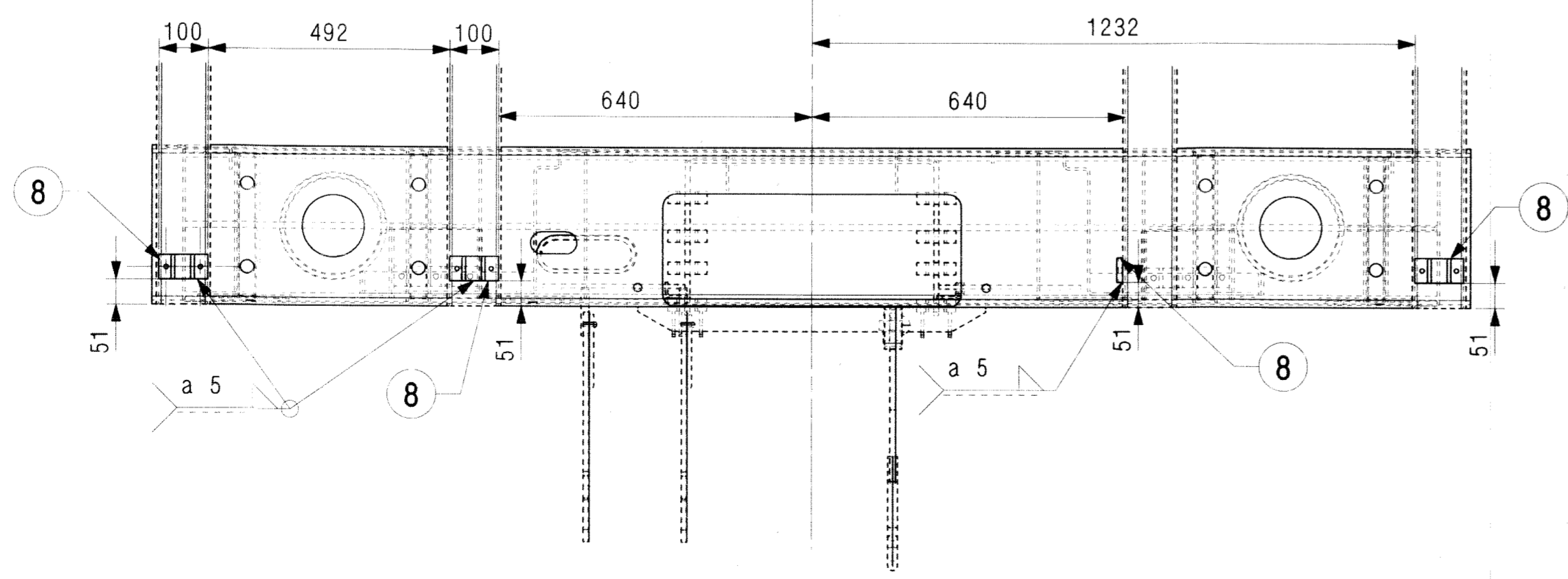
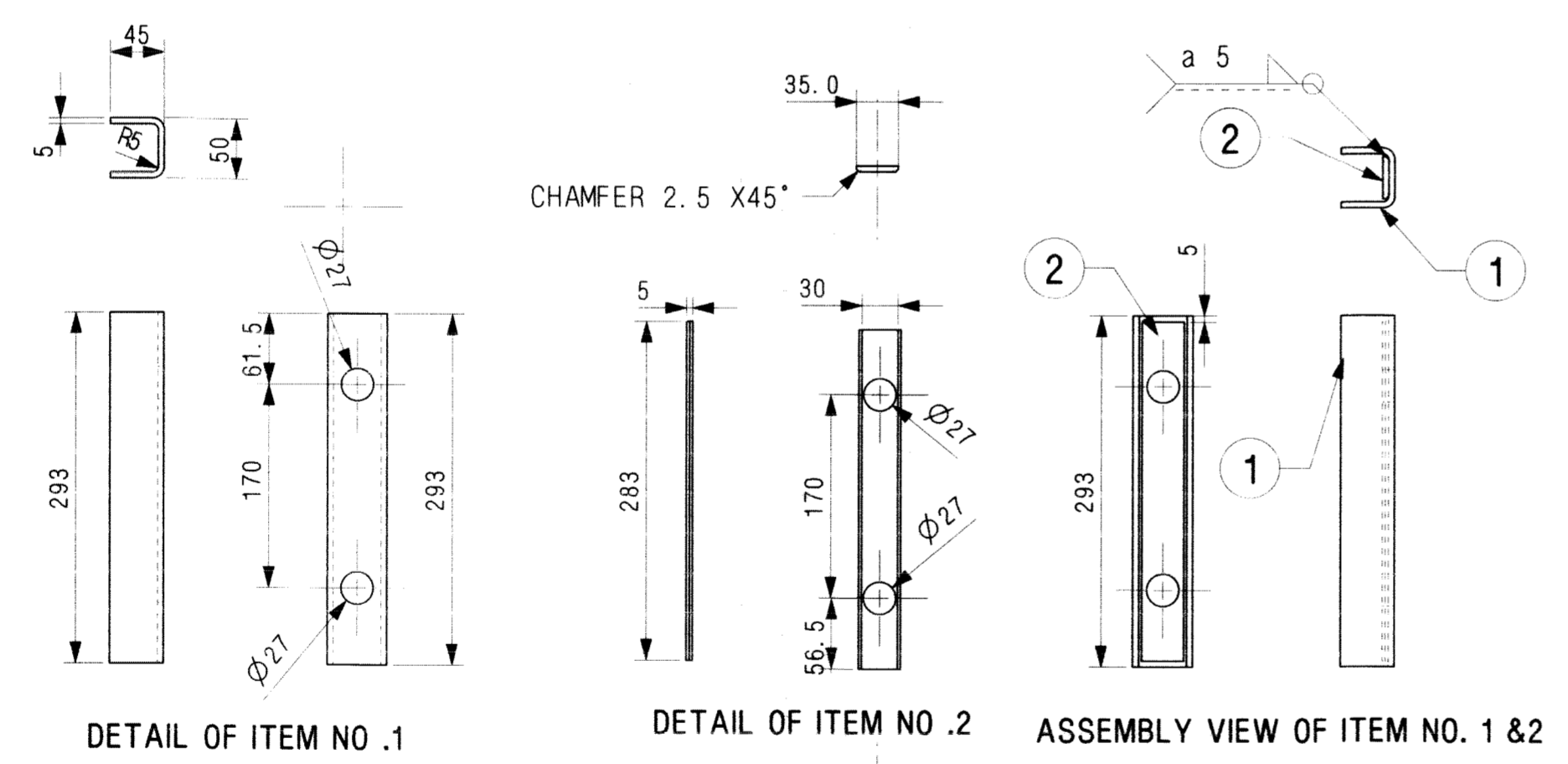


VIEW FROM X

LOCATION OF THROUGH  $\phi$  18MM HOLES ON OUTER AND INNER HEAD STOCK TO BE JIG DRILLED AFTER WELDING OF ALL STRENGTHENING MEMBERS.



SECTION B-B



VIEW FROM Y

NOTE:  
# 1. ITEM NO. 9 NOT REQUIRED FOR DRG. NO. CG-15028 AND SHALL BE REQUIRED FOR MOUNTING OF BIO DIGESTER TO THE DRAWING NO. CG-14004 OR CG-14053 ONLY & FULLY WELDED.  
2. HOLES MARKED AS (Ø) ARE NOT REQUIRED FOR FITMENT OF DRG. NO. CG-14053 AND CG-14004

9	PLATE 5X60X190	8		IRS-M41: 97	#
8	SCREWING PIECE 15X50X100	8		IRS-M41: 97 OR ST52 OF EN10025	
7	SECURING BRACKET FOR S.S. WIRE ROPE WELDED ON INNER HEAD STOCK	4	CG-15034		
6	PLATE 10X70X210	4		IRS-M41: 97	
5	U BRACKET 5X88X822	4		IRS-M41: 97	
4	PLATE 5X70X190	4		IRS-M41: 97	
3	PLATE 5X80X190	4		IRS-M41: 97	
2	PLATE 5X30X283	4		IRS-M41: 97	
1	CHANNEL 5X45X50	4		IRS-M41: 97	L=293
ITEM	DESCRIPTION & DIMENSIONS	QTY	REF. DRG.	WT. OF ONE kg	MTL. & SPEC. REMARKS

3	SS/31/16	ALTERNATE MATERIAL FOR ITEM NO. 8 DEFINED.			
2	SS/26/16	1. NOTE NO. 2 ADDED. 2. VIEW OF ITEM NO. 3 DELETED. 3. PLATE SIZE OF ITEM NO. 9 WAS 5X85X190			
1	SS/08/16	1. Plate thickness has been reduced to 5 mm of item no. 3. 2. Width of item no. 5 has been changed TO 220. 3. Item no. 8 deleted 4. Item no. 9 added.			
ALT. ITEM	AUTHY.	DESCRIPTION	CKD. DATE	CDIC NO. :- K-503	
SUPERSEDED BY:-			INDIAN RAILWAYS		
ASSEMBLY DRGS. REFERENCE :-			ICF/RCF TYPE COACHES		
SCALE P			SUPERSEDES:-		
1:5			C		
			D		
			J.S. SS/11/15		
B.G.			R.D.S.O. (CG)		
			CG-15036		