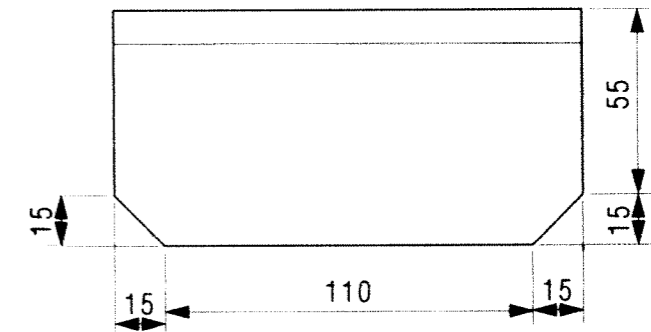
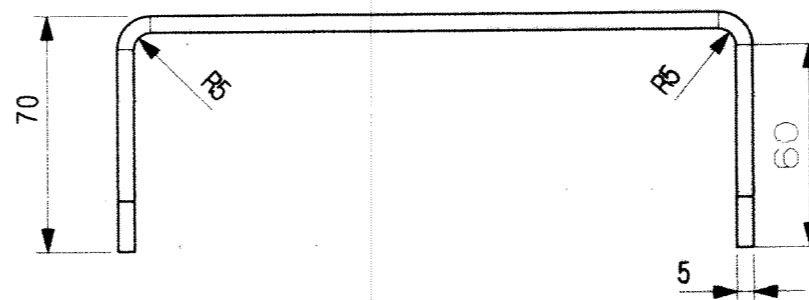
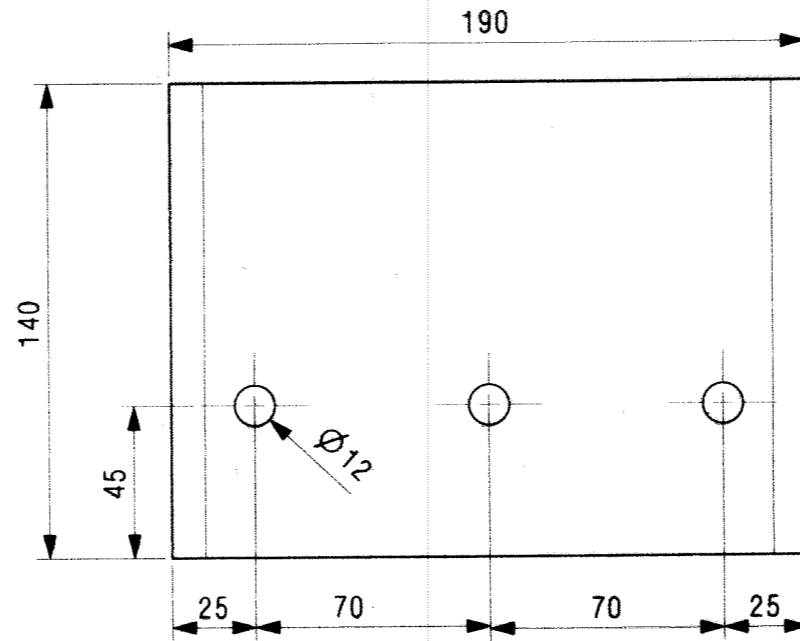


ITEM NO.2
SCALE 1:2



ITEM NO.1
SCALE 1:2

ITEM	DESCRIPTION & DIMENSIONS	No. OFF	REF. DRG.	WT. OF ONE kg	MTL. & SPEC.	REMARKS
2	PLATE 15X40X170		1		IRS: M-41: 97 OR ST52 OF EN10025	
1	CHANNEL 5X140X314		1		IRS: M-41: 97	

ASSEMBLY DRGS.	SUPERSEDED BY:-	INDIAN RAILWAYS			
REFERENCE :-	SCALE P 1:5 C D J.S. SS/ 9/15	ICF\RCF TYPE COACHES			
		SECURING BRACKET FOR S.S.WIRE ROPE WELDED ON INNER HEAD STOCK			
	B.G.	R.D.S.O. [CG]			CG-15034

ALT.	ITEM	AUTH.	DESCRIPTION	CKD.	DATE
2		SS/30/16	ALTERNATE MATERIAL FOR ITEM-2 DEFINED		
1		SS/25/16	MATERIAL FOR ITEM NO. 2 WAS IRS: M-41		

CDIC NO. :-