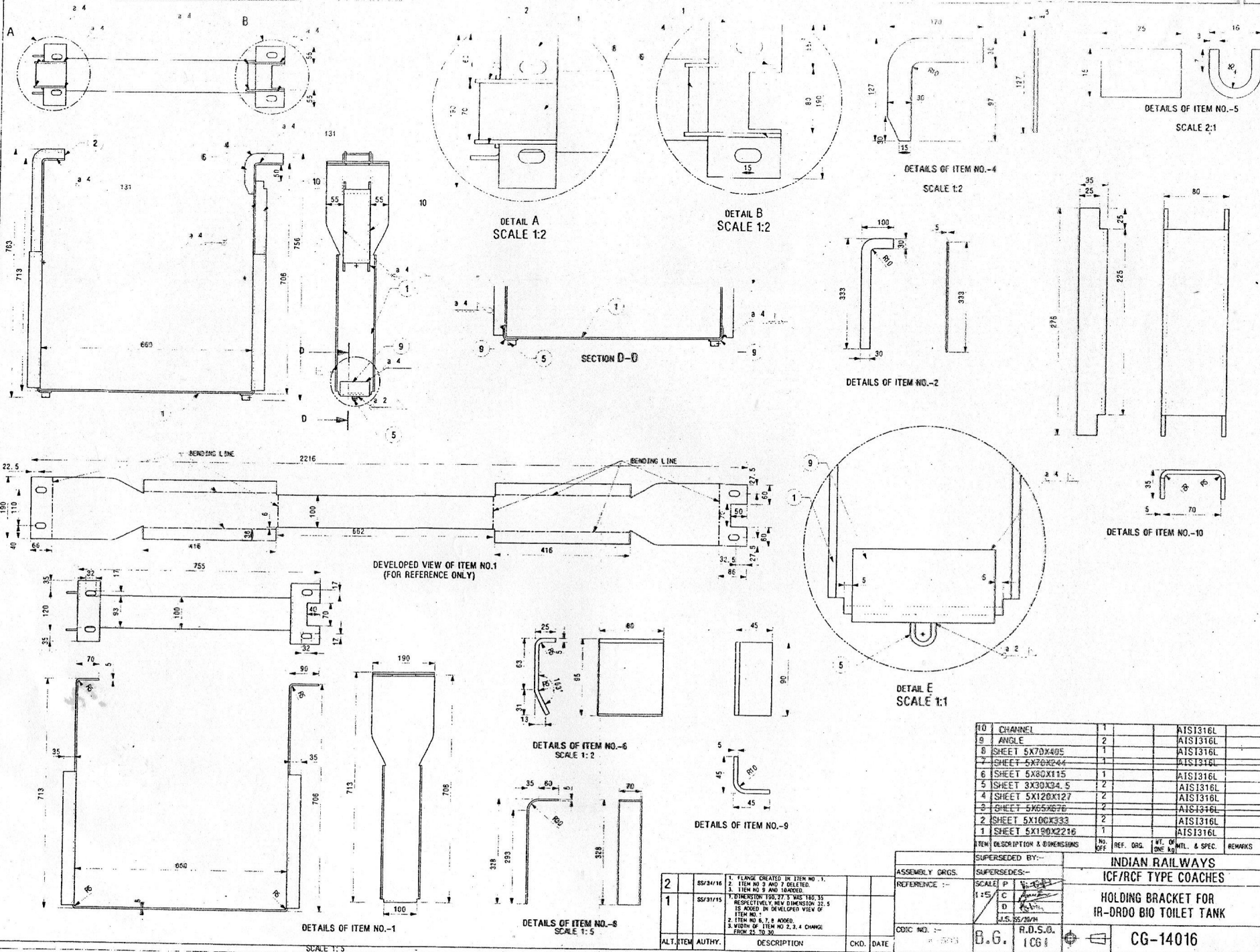


THIS DRAWING IS PROPERTY OF RDSO.
 ALL RIGHTS RESERVED AND NO PART OF THIS DRAWING OR ANY OTHER INTELLECTUAL
 PROPERTY RIGHTS OF RDSO IS TO BE REPRODUCED OR TRANSMITTED IN ANY FORM OR BY ANY
 MEANS, ELECTRONIC OR MECHANICAL, INCLUDING PHOTOCOPYING, RECORDING, OR BY ANY
 INFORMATION STORAGE AND RETRIEVAL SYSTEM, WITHOUT PERMISSION IN WRITING FROM
 THE DIRECTOR, RDSO. UNAUTHORIZED REPRODUCTION, DISCLOSURE OR USE OF THIS DRAWING
 IS PROHIBITED.



ITEM	DESCRIPTION & DIMENSIONS	NO. OF OFF.	REF. ORG.	MT. OF ONE KG	MTL. & SPEC.	REMARKS
10	CHANNEL	1				ATIS1316L
9	ANGLE	2				ATIS1316L
8	SHEET 5X70X405	1				ATIS1316L
7	SHEET 5X70X244	1				ATIS1316L
6	SHEET 5X80X115	1				ATIS1316L
5	SHEET 3X30X34.5	2				ATIS1316L
4	SHEET 5X120X127	2				ATIS1316L
3	SHEET 5X65X676	2				ATIS1316L
2	SHEET 5X100X333	2				ATIS1316L
1	SHEET 5X190X2216	1				ATIS1316L

SUPERSEDED BY:-		INDIAN RAILWAYS	
ASSEMBLY ORG.	SUPERSEDES:-	ICF/RCF TYPE COACHES	
REFERENCE :-	SCALE P 1:5	HOLDING BRACKET FOR	
		IR-DRDO BIO TOILET TANK	
DDC NO. :-	B.G. R.D.S.O. ICGI	CG-14016	
ALT. ITEM AUTHY.	DESCRIPTION	CKD.	DATE

197A