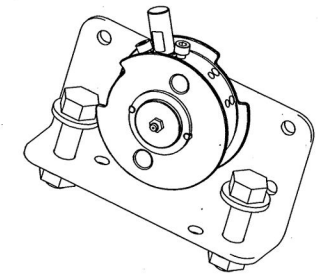
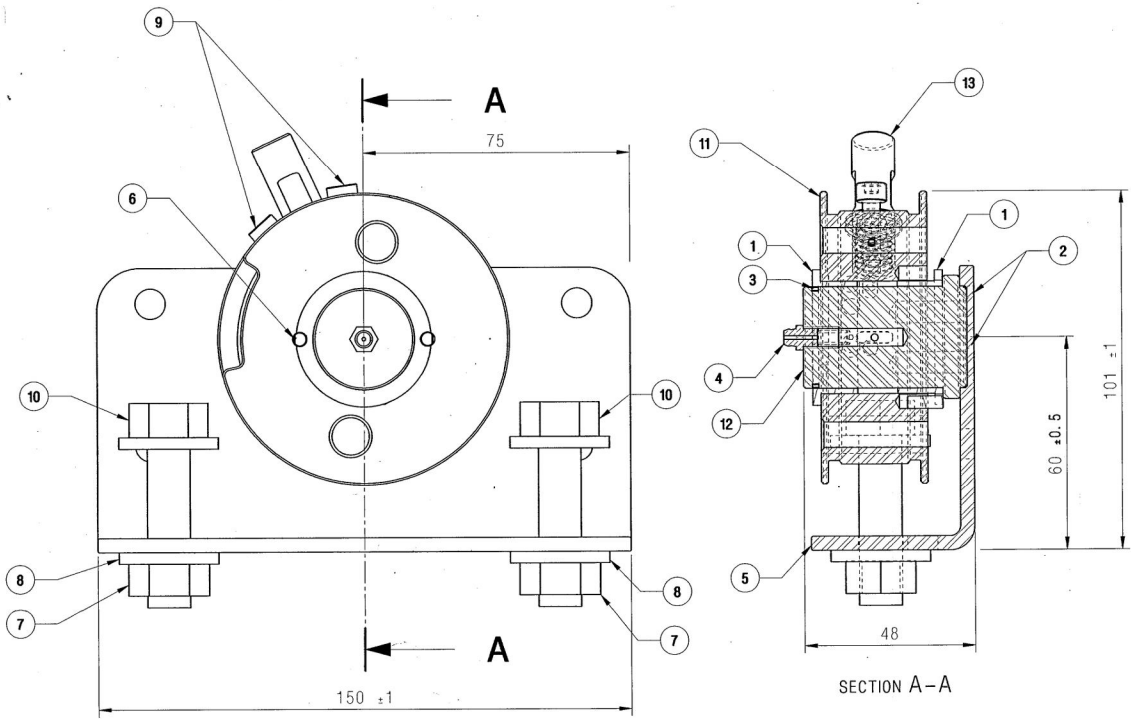
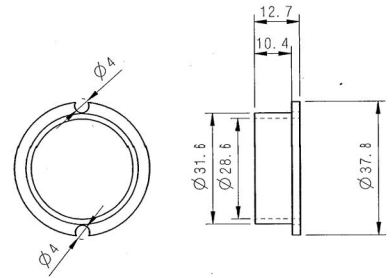


ALT.NO	ALT.DATE	ZONE	ALTERATIONS	AUTHORITY
a	23/11/2015	ALL	MATERIAL SPEC. FOR ITEM-1 MODIFIED.	DY.CME/D-2
b	24/11/2015	F-9	MATERIAL FOR ITEM-1 WAS BRASS/NYLON.	DY.CME/D-2
c	15/09/2016	D-9	SPECIFICATION FOR ITEM-10 MODIFIED.	DY.CME/D-1



अनुमोदित
ENTERED
INTO
प्रतिष्ठित
DATA BASE
16 SEP 2016

ITEM	DESCRIPTION & DIMENSIONS	QTY	ASSEMBLY	DETAIL DRG	MATL. & SPEC.	REMARKS
13	STOPPER PIN FIX	1	MI006582	NIL	NIL	
12	SHAFT LINKAGE	1	MI006581	NIL	NIL	
11	PULLEY 70MM	1	MI006579	NIL	NIL	
10	STAINLESS STEEL HEX HEAD BOLT M12X85 (A2-70 TO IS:1367 PT.14-84)	2	LIHWSS01	IS: 1364 PT.1-92 CE	ITEM-6 COATING TO MTS 057	
9	SOCKET HD CAP SCREW M5X10	2	LIHW10	DIN912, IS: 2269-1995	ITEM-2 COATING TO MTS 057	
8	SPRING WASHER B12	4	LIHW09	IS: 3063-1994	ITEM-22 COATING TO MTS 057	
7	STAINLESS STEEL NYLOC NUT M12 (A2-70 TO IS:1367 PT.14)	4	LIHWSS08	IS: 7002-1991 DIN982	ITEM-10 COATING TO MTS 057	
6	LOCKPIN HEADLESS	4	NIL	AISI-304	NIL	
5	MOUNTING PLATE	1	MI006578	NIL	NIL	
4	GREASE NIPPLE M6	1	NIL	IS: 4009 (PART-II)-1981	TABLE-1	
3	CIRCLIP 28 OD	1	NIL	AISI-304	NIL	
2	STAINLESS STEEL SLOTTED CSK HEAD SCREW M8X20 (A2-70 TO IS:1367 PT.14-84)	4	LIHWSS03	IS: 1365-1978	ITEM-2	
1	BUSH	2	NIL	BRASS	NIL	



SCALE 4:1
DETAILS OF ITEM-6

THIS DRAWING IS THE INTELLECTUAL PROPERTY OF RAIL COACH FACTORY, KAPURTHALA. THIS DRAWING SHALL NOT BE REPRODUCED, ALTERED, COPIED OR MANUFACTURED FOR COMPONENTS, SOLD OR TRANSFERRED WITHOUT PERMISSION FROM CHIEF DESIGN ENGINEER, RAIL COACH FACTORY, KAPURTHALA.

DETAIL DRGS STARTING WITH "LI" ARE INTERNAL REFERENCE LISTS ONLY AND ARE NOT FOR ISSUE			
ANY MANUAL ALTERATION SHALL AUTOMATICALLY RENDER THIS DRAWING INVALID.			
FOR UNTOLERANCED DIMENSIONS REFER MDG0008	DATE OF FIRST ISSUE	14/10/2015	CGM BY <i>[Signature]</i>

WELD LENGTH	ITEM	DESCRIPTION & DIMENSIONS	QTY	ASSEMBLY	DETAIL DRG	MATL. & SPEC.	REMARKS		
NIL	M	GROUP	LAV. & ITS FITTINGS	SUPERSEDES: MI006577 ALT b					
NIL	KG	FILE	\\mi006577c.prt (3D)						
NIL	M ²	DRIVE ARRANGEMENT RAIL COACH FACTORY, KAPURTHALA रेल कोच फैक्टरी कपूरथला IRS DRG.NO. MI006577					SCALE	SP/REC	9/16/2016
NIL	M						CHD	JPSN	[Signature]
NIL	M						DRN	SONI	[Signature]
NIL	M						REF.DRG.No.	NIL	
NIL	M	PL NO.	NIL		SIZE/A2 SHEET	1/1			