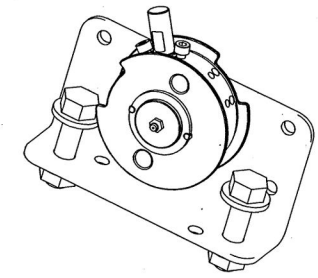
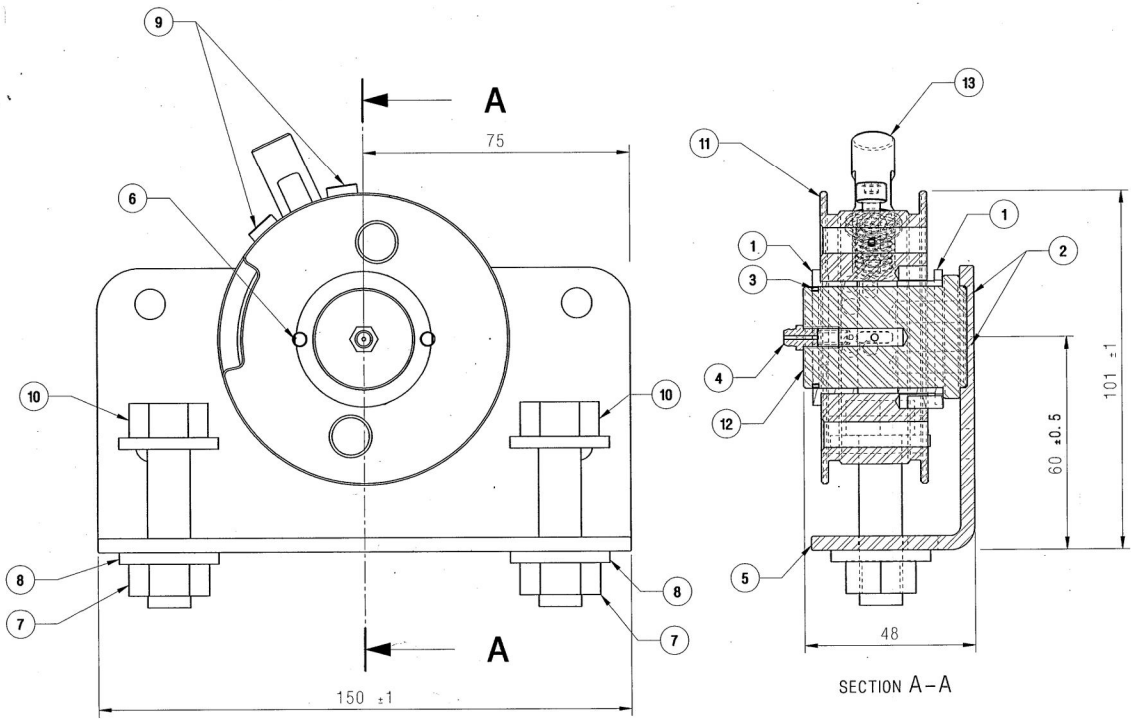
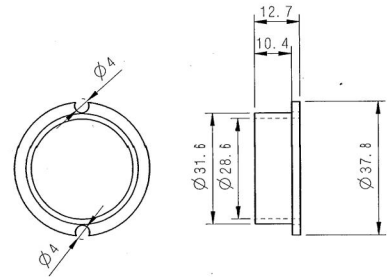


| ALT.NO | ALT.DATE   | ZONE | ALTERATIONS                          | AUTHORITY  |
|--------|------------|------|--------------------------------------|------------|
| a      | 23/11/2015 | ALL  | MATERIAL SPEC. FOR ITEM-1 MODIFIED.  | DY.CME/D-2 |
| b      | 24/11/2015 | F-9  | MATERIAL FOR ITEM-1 WAS BRASS/NYLON. | DY.CME/D-2 |
| c      | 15/09/2016 | D-9  | SPECIFICATION FOR ITEM-10 MODIFIED.  | DY.CME/D-1 |



अनुमोदित  
ENTERED  
INTO  
प्रतिष्ठित  
DATA BASE  
16 SEP 2016

|    |  |   |          |                         |                            |
|----|--|---|----------|-------------------------|----------------------------|
| 13 | STOPPER PIN FIX  | 1 | MI006582 | NIL                     | NIL                        |
| 12 | SHAFT LINKAGE  | 1 | MI006581 | NIL                     | NIL                        |
| 11 | PULLEY 70MM  | 1 | MI006579 | NIL                     | NIL                        |
| 10 | STAINLESS STEEL HEX HEAD BOLT M12X85 (A2-70 TO IS:1367 PT.14-84)         | 2 | LIHWSS01 | IS: 1364 PT.1-92 CE     | ITEM-6 COATING TO MTS 057  |
| 9  | SOCKET HD CAP SCREW M5X10  | 2 | LIHW10   | DIN912, IS: 2269-1995   | ITEM-2 COATING TO MTS 057  |
| 8  | SPRING WASHER B12  | 4 | LIHW09   | IS: 3063-1994           | ITEM-22 COATING TO MTS 057 |
| 7  | STAINLESS STEEL NYLOC NUT M12 (A2-70 TO IS:1367 PT.14)                   | 4 | LIHWSS08 | IS: 7002-1991 DIN982    | ITEM-10 COATING TO MTS 057 |
| 6  | LOCKPIN HEADLESS   | 4 | NIL      | AISI-304                | NIL                        |
| 5  | MOUNTING PLATE   | 1 | MI006578 | NIL                     | NIL                        |
| 4  | GREASE NIPPLE M6   | 1 | NIL      | IS: 4009 (PART-II)-1981 | TABLE-1                    |
| 3  | CIRCLIP 28 OD  | 1 | NIL      | AISI-304                | NIL                        |
| 2  | STAINLESS STEEL SLOTTED CSK HEAD SCREW M8X20 (A2-70 TO IS:1367 PT.14-84) | 4 | LIHWSS03 | IS: 1365-1978           | ITEM-2                     |
| 1  | BUSH   | 2 | NIL      | BRASS                   | NIL                        |



SCALE 4:1  
DETAILS OF ITEM-6

THIS DRAWING IS THE INTELLECTUAL PROPERTY OF RAIL COACH FACTORY, KAPURTHALA. THIS DRAWING SHALL NOT BE REPRODUCED, ALTERED, COPIED OR MANUFACTURED FOR COMPONENTS, SOLD OR TRANSFERRED WITHOUT PERMISSION FROM CHIEF DESIGN ENGINEER, RAIL COACH FACTORY, KAPURTHALA.

| WELD LENGTH   | ITEM              | DESCRIPTION & DIMENSIONS       | QPASSEMBLY          | DETAIL DRG | MATL. & SPEC. | REMARKS           |
|---------------|-------------------|--------------------------------|---------------------|------------|---------------|-------------------|
| NIL           | M                 | GROUP                          | LAV. & ITS FITTINGS |            |               |                   |
| WEIGHT        | FILE              | \\mi006577c.prt (3D)           |                     |            |               |                   |
| NIL           | KG                | SUPERSEDES: MI006577 ALT b     |                     |            |               |                   |
| S.AREA        | DRIVE ARRANGEMENT |                                |                     |            |               |                   |
| NIL           | M2                | RAIL COACH FACTORY, KAPURTHALA |                     |            |               |                   |
| LENGTH / DIA  | REF.DRG.No. NIL   |                                |                     |            |               |                   |
| NIL           | M                 | रेल कोच फैक्टरी कपूरथला        |                     |            |               | PL NO. NIL        |
| WIDTH / THICK | DRG.NO. MI006577  |                                |                     |            |               |                   |
| NIL           | M                 | ADE/SME                        |                     |            |               | SIZE/A2 SHEET 1/1 |
| HEIGHT        | DY.CME            |                                |                     |            |               |                   |
| NIL           | M                 | CDE                            |                     |            |               |                   |

DETAIL DRGS STARTING WITH "LI" ARE INTERNAL REFERENCE LISTS ONLY AND ARE NOT FOR ISSUE  
ANY MANUAL ALTERATION SHALL AUTOMATICALLY RENDER THIS DRAWING INVALID.

FOR UNTOLERANCED DIMENSIONS REFER MDG0008 DATE OF FIRST ISSUE 14/10/2015 CGM BY