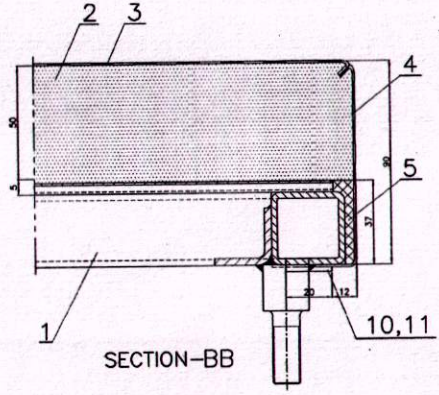
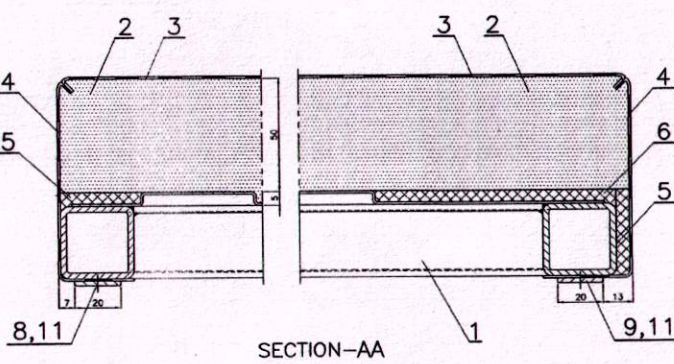
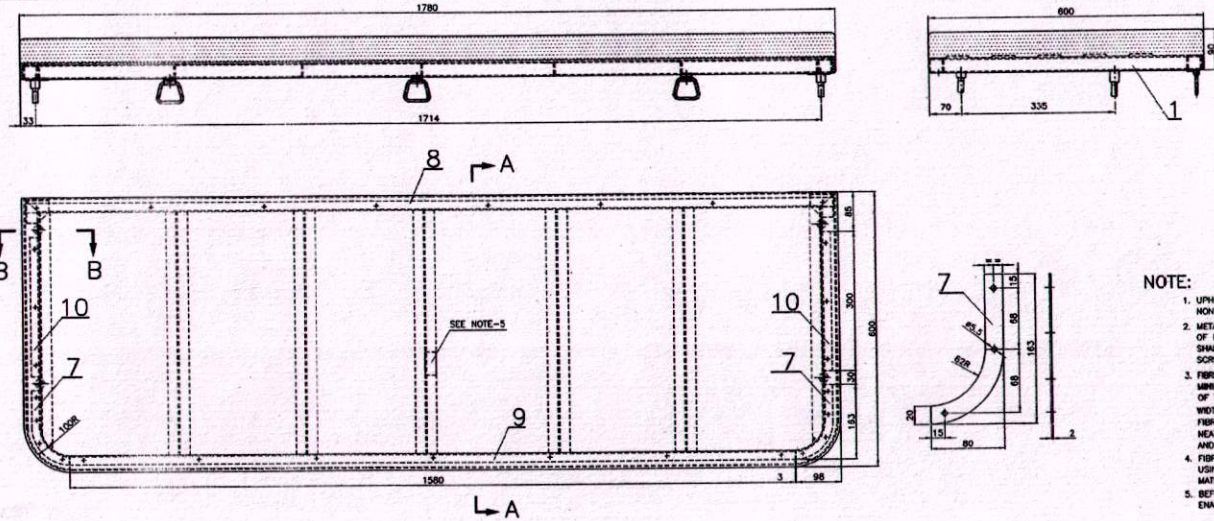


ICF/SK3-6-1-079

VV FINISH MACHINED	DD ROUGH CLEANING	ALTERATIONS
VVV FINE FINISH MACHINED		



- NOTE:
- UPHOLSTERY (ITEM-4) SHALL BE PASTED TO SEAT FRAME WITH NON FLAMMABLE SOLVENT BASED ADHESIVE TO ICF/MD/SPEC.-093.
 - METALLIC NAME PLATE OF THE MANUFACTURER WITH YEAR OF MANUFACTURE TO SIZE NOT MORE THAN 25x50mm SHALL BE GLUED WITH WATER PROOF ADHESIVE AND SCREWED AT LOCATIONS SHOWN IN THE DRG.
 - FIBREGLASS WOVEN CLOTH AS PER IS:13128(PART-1)1991 HAVING MINIMUM DENSITY OF 205.5gm/sq.m AS PER VARIETY NO.20 OF TAB-1 WITH BREAKING STRENGTH WARP & WEFT 230 N/cm WIDTH MIN. OR ALTERNATE FABRIC MADE OUT OF FLAME RESISTANT FIBRE SHALL BE PROVIDED ALL AROUND PU FOAM DULY SEWN NEATLY WITHOUT ANY WRINKLES INCLUDING BETWEEN UPHOLSTERY AND COMPRES PLYWOOD AS A FIRE PREVENTION MEASURE.
 - FIBRE GLASS WOVEN CLOTH NEED NOT BE PROVIDED WHILE USING DENSIFIED THERMAL BONDED BLOCKS AS CUSHIONING MATERIAL.
 - BEFORE TRIMMING ITEM-1 SHALL BE PAINTED WITH GLOSSY FINISH ENAMEL OF SMOKE GRAY TO SHADE NO.852 OF IS-5-2007.

300 FOR ITEM-10	1580 FOR ITEM-9	1775 FOR ITEM-8
30	245x7=1715 FOR ITEM-8	
25	255x6=1530 FOR ITEM-9	
25	125x2=250 FOR ITEM-10	

NO OF ASSSEMBLIES REQUIRED PER COACH	COL-1
TYPE OF JOINT	SCN
	18

NO	DESCRIPTION AND DIMENSIONS	ITEM	REF. DRG.	MATL. & SPEC.	WEIGHT/UNIT	REMARKS
27	PAR HD TAP SCREW ST 4.2x13-F	11	IS:7173-89			BRIGHT ZINC PLATING
2	FLAT MOULDING	10				
1	FLAT MOULDING	9				
1	FLAT MOULDING	8	IS:11-208 GB-1			
2	FLAT MOULDING	7				
1	FELT	6	IS:1719-2000			MEDIUM
1	FELT	5	IS:1719-2000			MEDIUM
1	UPHOLSTERY	4	IS:2004/2004-1			COLOR CODE SAMPLE No. ALMAC-03
1	UPHOLSTERY	3	IS:2004/2004-1			COLOR CODE SAMPLE No. ALMAC-03
1	CUSHION	2	SCN 6-1-810			ITEM-1
1	SEAT FRAME	1	SCN 6-1-803			COL-1

NO OF SEATS	DESCRIPTION AND DIMENSIONS	ITEM	REF. DRG.	MATL. & SPEC.	WEIGHT/UNIT	REMARKS
1	GROUP: 6-1 SEATS & BERTHS					SUPERSEDED BY:
<p align="center">TRANSVERSE SEAT COMPLETE</p>						
<p align="center">SCALE: 1:5 (C/D) 1:1 (A/L) 1:1 (C/D) SLM/INDIA</p>						
<p align="center">CAD FILE: C:\MD-CAD\329\6-1-079--00.DWG</p>						
<p align="center">INDIAN RAILWAY STANDARDS</p>						
<p align="center">SHEET 1 OF 1</p>						

SCN 6-1-801
 ASSEMBLY DRAWING
 25-09-2014
 SME/AME