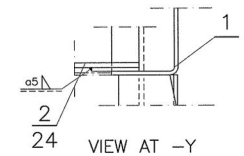
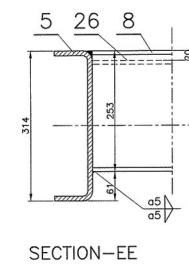
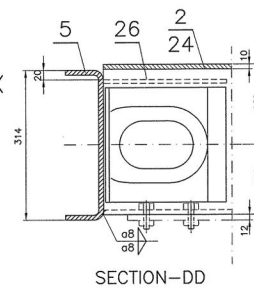
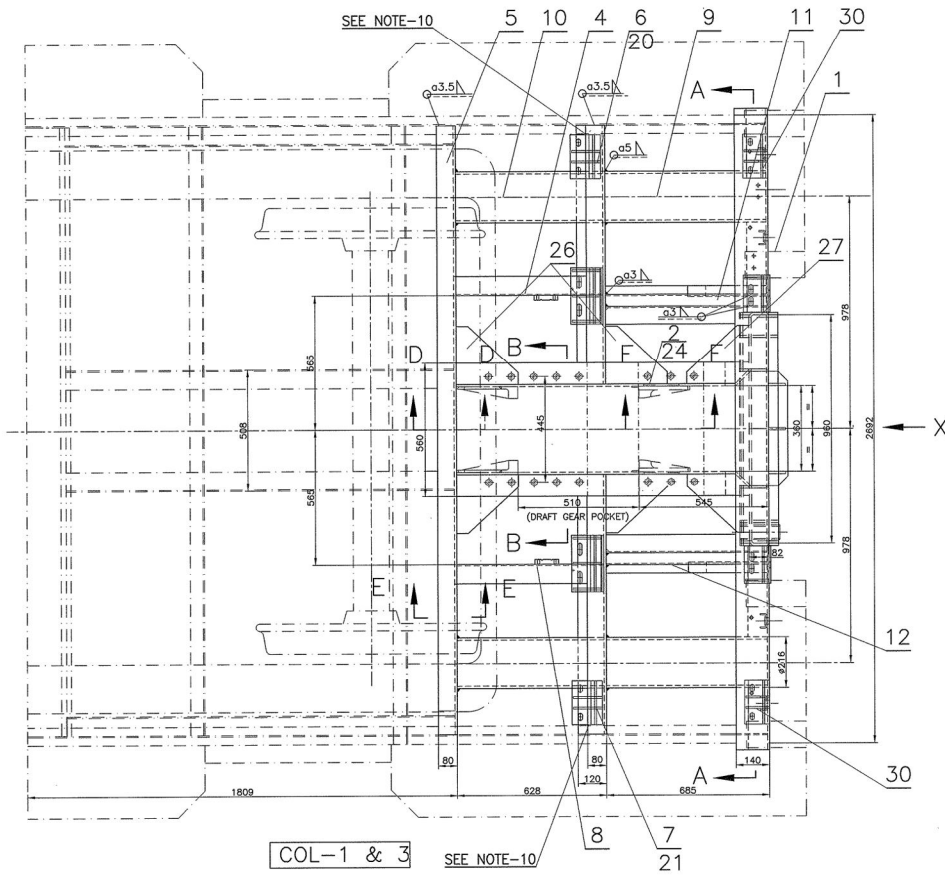
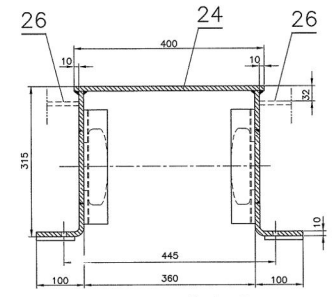
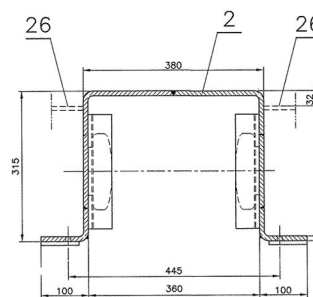
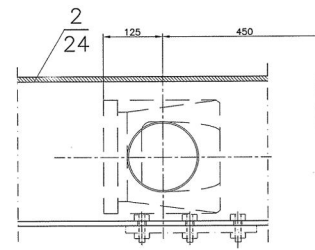
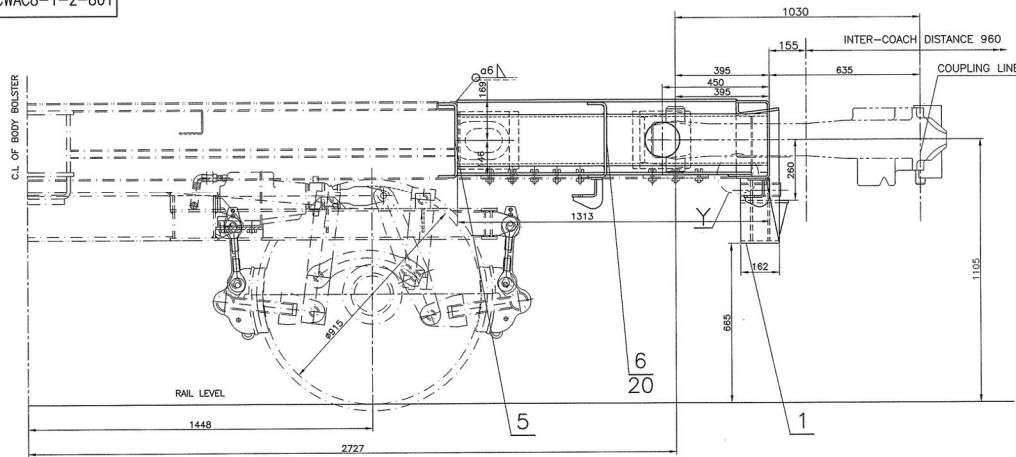


WGSCWAC8-1-2-801

▽	ROUGH MACHINED	⑥	ROUGH CLEANING	ALTERATIONS
▽▽	FINISH MACHINED	⑦	CHAMFERED	
▽▽▽	FINE FINISH MACHINED			



QTY	DESCRIPTION & DIMENSION	ITEM	REF.DRGS	MAT.SPEC	WEIGHT/UNIT	REMARKS
GROUP: 1-2						
SUPERSEDED BY:						
SUPERSEDES: WGSCWAC8-1-2-801, AL: N/						
SCALE: SSE/D/D						
1:10 CHD						
1:5 ALD						
G.SURESH BABU						
DRN SHAIK MAHAMOOD						
Alpha A/- J						
INTEGRAL COACH FACTORY						
CHENNAI-38						
INDIAN RAILWAY						
STANDARDS						
SHEET						
1 OF 3						
WGSCWAC8-1-2-801						
FORM--IRA1-840X600						

ASSEMBLY DRAWINGS	DATE OF LATEST ALT	DATE OF FIRST ISSUE	AME/SME
16-12-2018	23-04-2003	A.	
0	Num.	ALT	DATE OF LATEST ALT