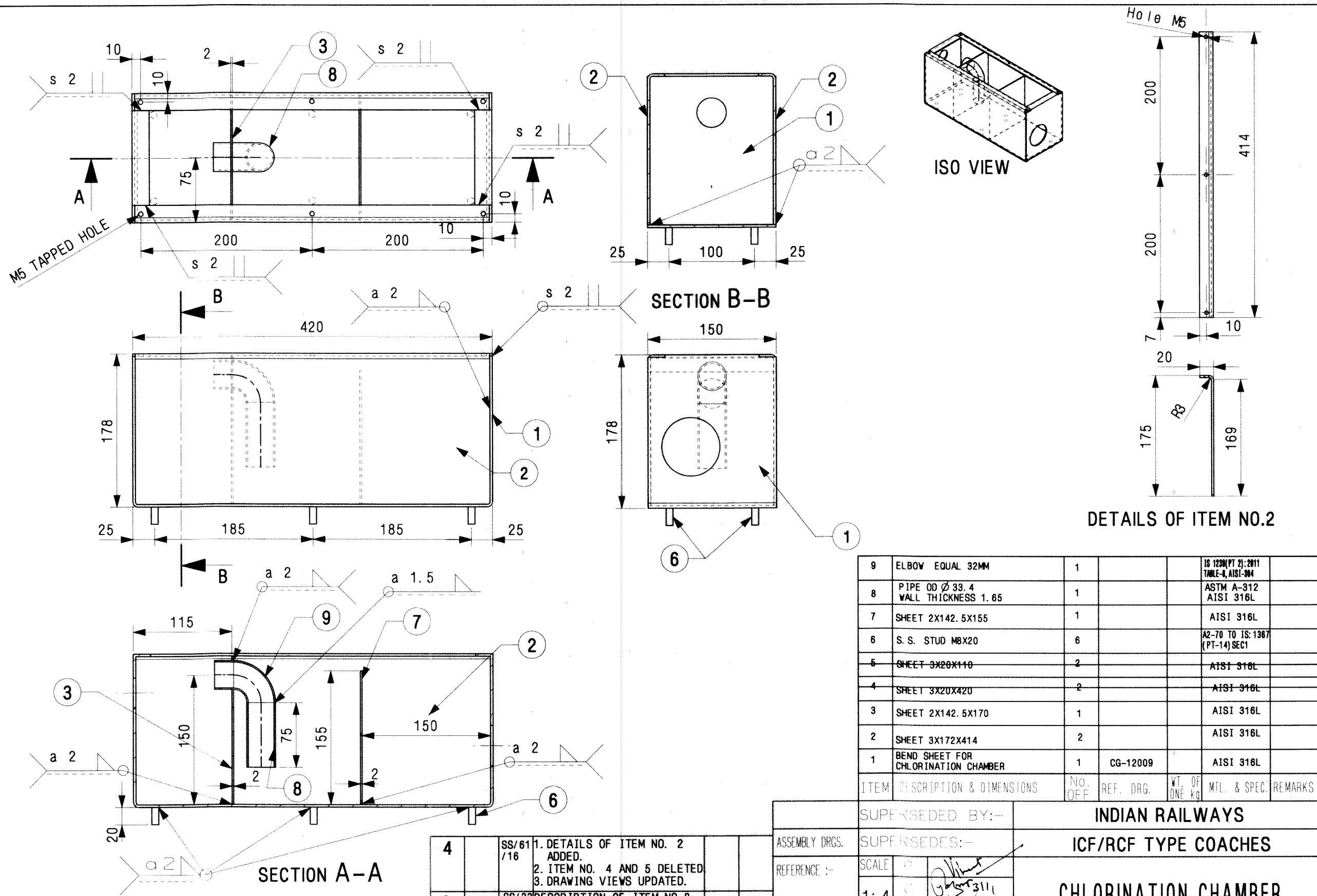


THIS DRAWING IS PROPERTY OF DRDO. THE COPYRIGHT, DESIGN RIGHT AND/OR OTHER INTELLECTUAL PROPERTY RIGHTS OF THIS DRAWING BELONGS TO THE DRDO ONLY. UNAUTHORISED REPRODUCTION, DISCLOSURE OR USE OF THIS DRAWING IS PROHIBITED.

"JOINTLY DEVELOPED BY IR & DRDO"



ITEM	DESCRIPTION & DIMENSIONS	NO. OFF	REF. DRG.	WT. OF ONE	WT. & SPEC.	REMARKS
9	ELBOW EQUAL 32MM	1			IS 1238 (PT 2): 2011 TABLE-4, AISI-304	
8	PIPE OD ϕ 33.4 WALL THICKNESS 1.65	1			ASTM A-312 AISI 316L	
7	SHEET 2X142.5X155	1			AISI 316L	
6	S. S. STUD M8X20	6			A2-70 TO IS: 1367 (PT-14) SECT	
5	SHEET 3X20X110	2			AISI 316L	
4	SHEET 3X20X420	2			AISI 316L	
3	SHEET 2X142.5X170	1			AISI 316L	
2	SHEET 3X172X414	2			AISI 316L	
1	BEND SHEET FOR CHLORINATION CHAMBER	1	CG-12009		AISI 316L	

ALT.	ITEM	AUTH.	DESCRIPTION	CKD.	DATE
4	SS/61/16		1. DETAILS OF ITEM NO. 2 ADDED. 2. ITEM NO. 4 AND 5 DELETED 3. DRAWING VIEWS UPDATED.		
3	SS/33/16		DESCRIPTION OF ITEM NO 8 CHANE AND ITEM NO 9 ADDED.		
2	SS/80/14		VIEW UPDATED		
1	SS/41/14		DRAWING REVISED		

SUPERSEDED BY:-		INDIAN RAILWAYS	
ASSEMBLY DRGS.		ICF/RCF TYPE COACHES	
REFERENCE :-		CHLORINATION CHAMBER	
SCALE	1:4	CDIC NO. :- K-503	
B.G.		R.D.S.O. [CG]	CG-12010