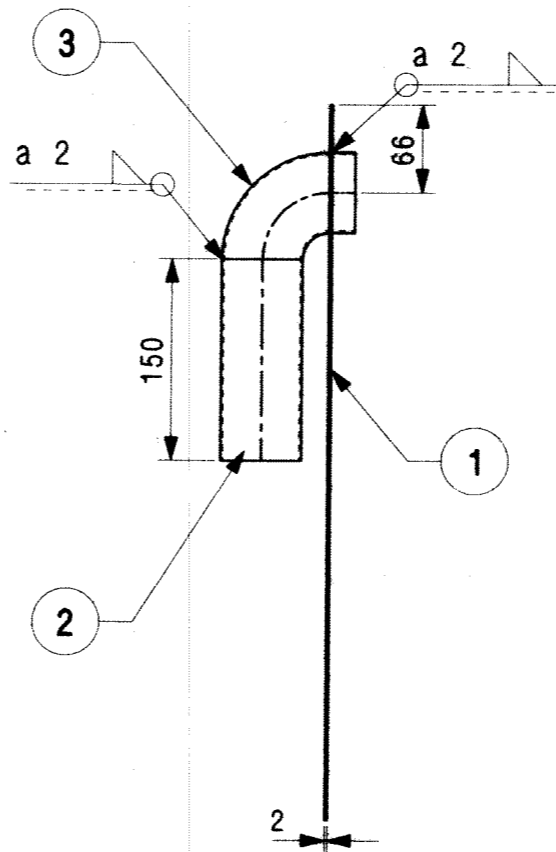
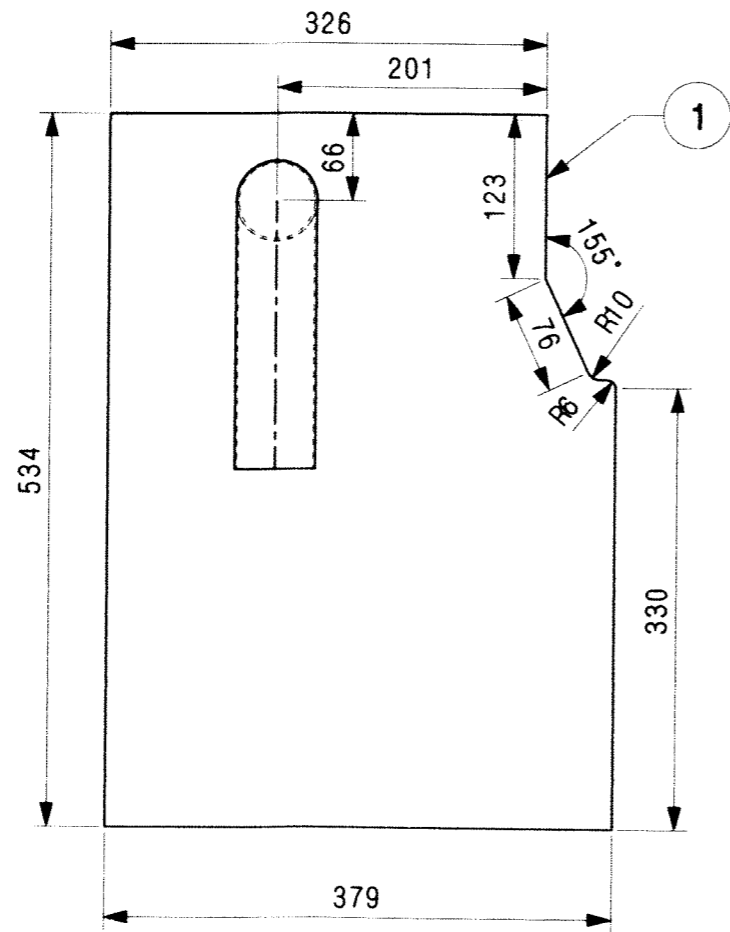


THIS DRAWING IS PROPERTY OF RDSO.  
 THE COPYRIGHT, DESIGN RIGHT AND/OR OTHER INTELLECTUAL  
 PROPERTY RIGHTS OF THIS DRAWING BELONGS TO THE RDSO ONLY.  
 UNAUTHORISED REPRODUCTION, DISCLOSURE OR USE OF THIS DRAWING  
 IS PROHIBITED.



| ITEM | DESCRIPTION & DIMENSIONS                       | No. OFF | REF. DRG. | WT. OF ONE kg | NTL. & SPEC.                           | REMARKS |
|------|--|---------|-----------|---------------|--|---------|
| 3    | ELBOW EQUAL 50                                 | 1       |           |               | IS: 1239 PT. 2-2011<br>TAB-6, AISI-304 |         |
| 2    | PIPE OD $\phi$ 60.33<br>WALL THICKNESS 2.77 MM | 1       |           |               | ASTM A-312<br>AISI 316L                | L=150   |
| 1    | SHEET 2X379X534                                | 1       |           |               | AISI 316L                              |         |

|                             |       |                      |             |
|-----------------------------|-------|----------------------|-------------|
| SUPERSEDED BY:-             |       | INDIAN RAILWAYS      |             |
| ASSEMBLY DRGS. SUPERSEDES:- |       | ICF/RCF TYPE COACHES |             |
| REFERENCE :-                | SCALE | P                    | TANK PART-5 |
|                             | 1:5   | C                    |             |
|                             |       | D                    |             |
|                             | J.S.  | SS/60/14             |             |
| CDIC NO. :-<br>K-503        | B.G.  | R.D.S.O.<br>(CG)     | cg-14067    |

| 1    | SS/19 /16 | DESCRIPTION OF ITEM NO. 2 CHANGE AND ITEM NO. 3 ADDED. | CKD. | DATE |
|------|-----------|--|------|------|
| ALT. | ITEM      | AUTH.  |      |      |