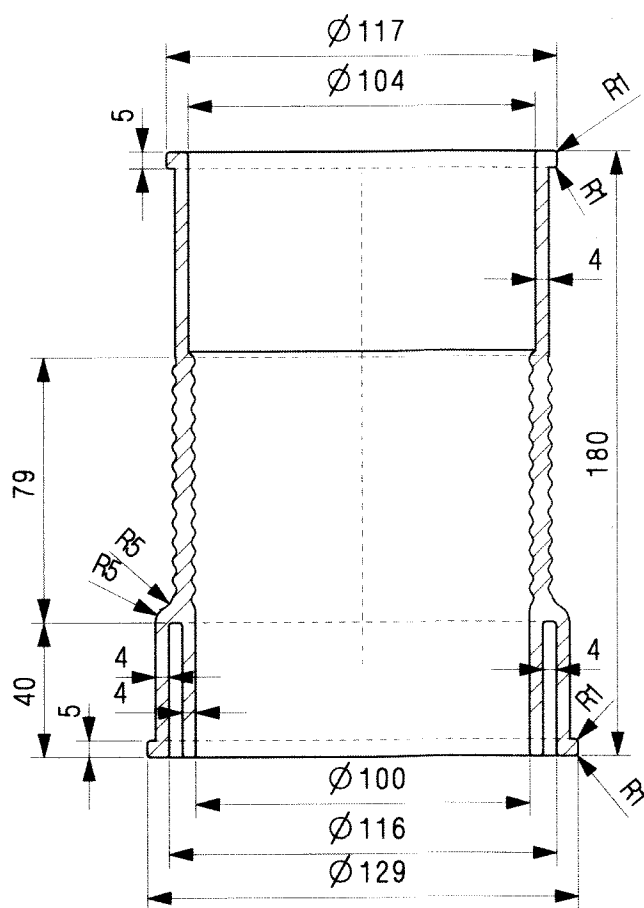
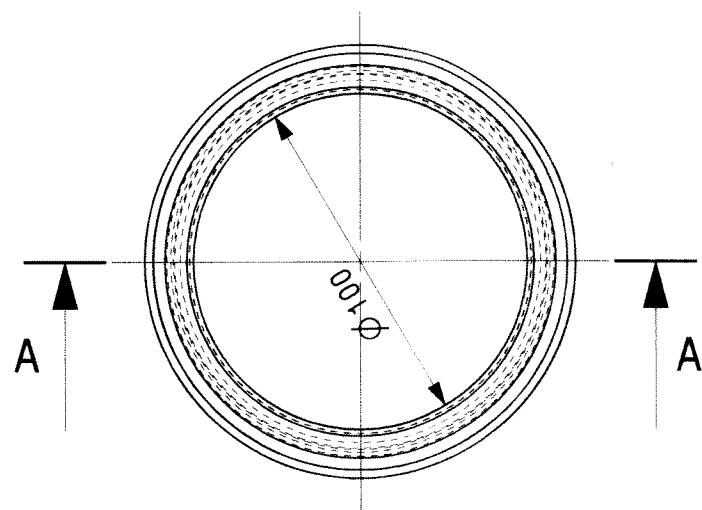
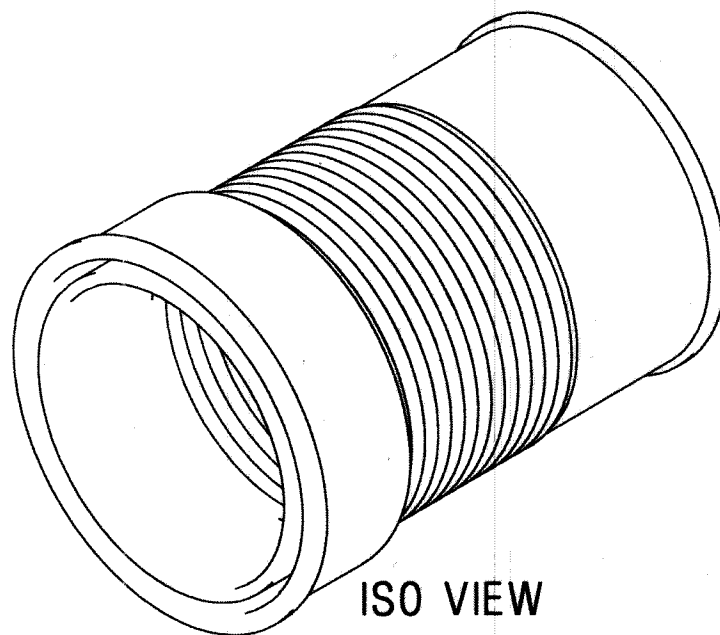


THIS DRAWING IS PROPERTY OF RDSO. THE COPYRIGHT, DESIGN RIGHT AND/OR OTHER INTELLECTUAL PROPERTY RIGHTS OF THIS DRAWING BELONGS TO THE RDSO ONLY. UNAUTHORISED REPRODUCTION, DISCLOSURE OR USE OF THIS DRAWING IS PROHIBITED.

©



SECTION A-A
(ITEM NO.-1)



ISO VIEW

NOTE:-

1. MATERIAL OF CONNECTOR SHALL BE TPE (THERMOPLASTIC POLYESTER ELASTOMER)..
2. PHYSICAL PROPERTIES OF TPE HOSE CONNECTOR SHALL BE AS PER CRITERIA DEFINED IN TABLE-1 AND MANUFACTURED IN BLACK COLOUR.

S.NO.	PROPERTY	REQUIRED VALUE	TEST METHOD
1	SPECIFIC GRAVITY (gm/cubic cm)	1.0±0.1	ASTM D-972
2	TENSILE STRENGTH (IN MPa AT BREAK) MIN.	4 MPa	ISO -37
3	% ELONGATION (AT BREAK) MIN.	300%	ISO -37
4	HARDNESS (SHORE -A)	50±5	ISO 868
5	COMPRESSION SET	AT 23 °C 35% AND AT 70 °C 55%	ISO 815
6	TEAR STRENGTH (Min.)	20KN/M	ISO 34
7	ASH CONTENT (Max.)	12%	ASTM D-5630

ALT.	ITEM	AUTH.	DESCRIPTION	CKD.	DATE
2		SS/52/16	1. DRAWING NO. OF ITEM NO. 2 WAS ICF/SK-6-3-168		
1		SS/22/16	1. ITEM NO. 1 & 2 ADDED. 2. PROPERTIES MODIFIED IN TABLE-1		

ITEM	DESCRIPTION & DIMENSIONS	NO. OF OFF.	REF. DRG.	WT. OF ONE kg	MTL. & SPEC.	REMARKS
2	CONNECTOR 100X150	1	CG-16036			
1	CONNECTOR 100X100	1			TPE	SEE NOTE-1&2

SUPERSEDED BY:-		INDIAN RAILWAYS			
ASSEMBLY DRGS. SUPERSEDES:-		ICF/RCF TYPE COACHES			
REFERENCE :-	SCALE	P			
		C			
		D			
		J.S.	SS/72/14		
CDIC NO. :-	B.G.	R.D.S.O.			
		[CG]			
			CG-14094		