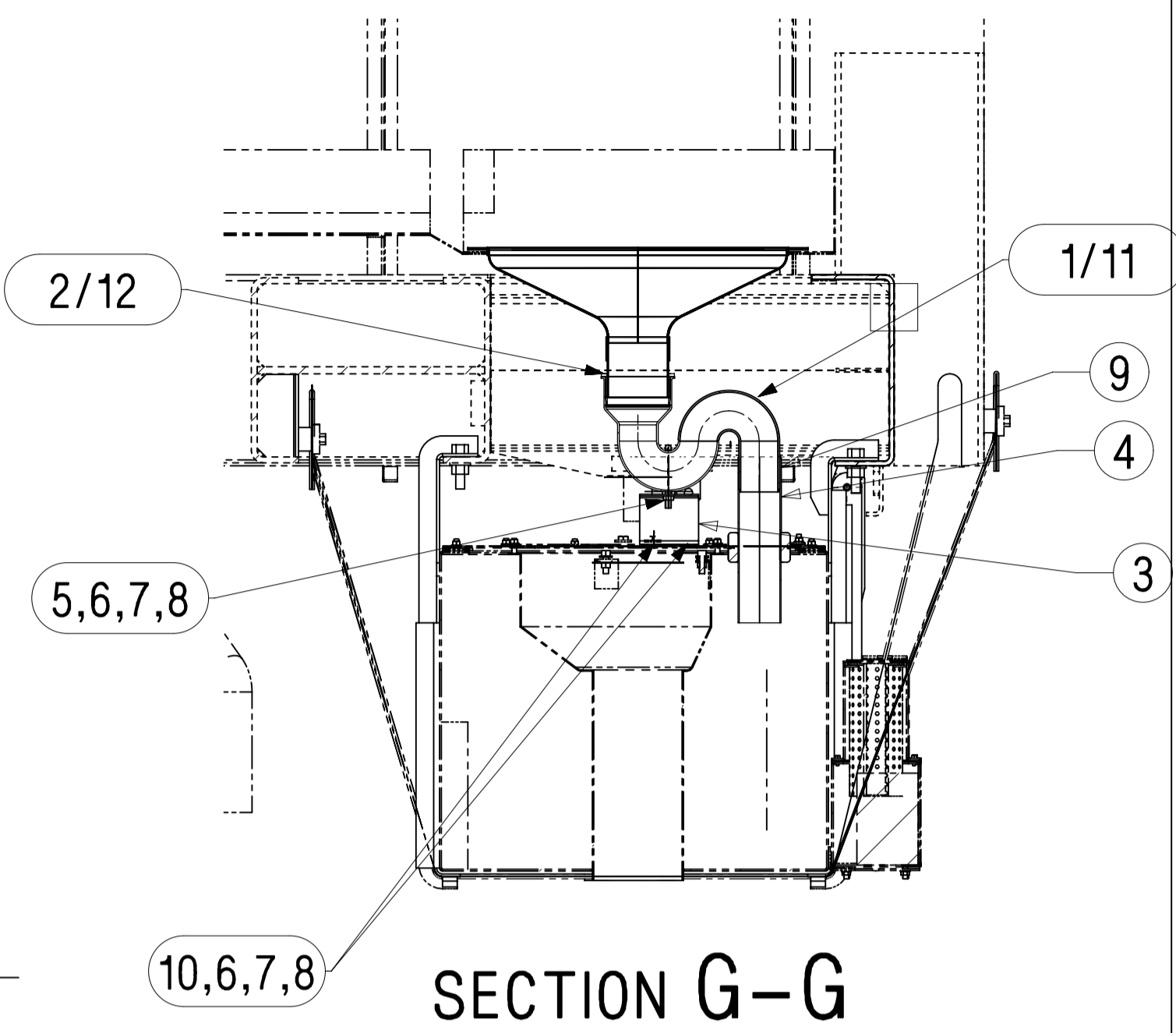
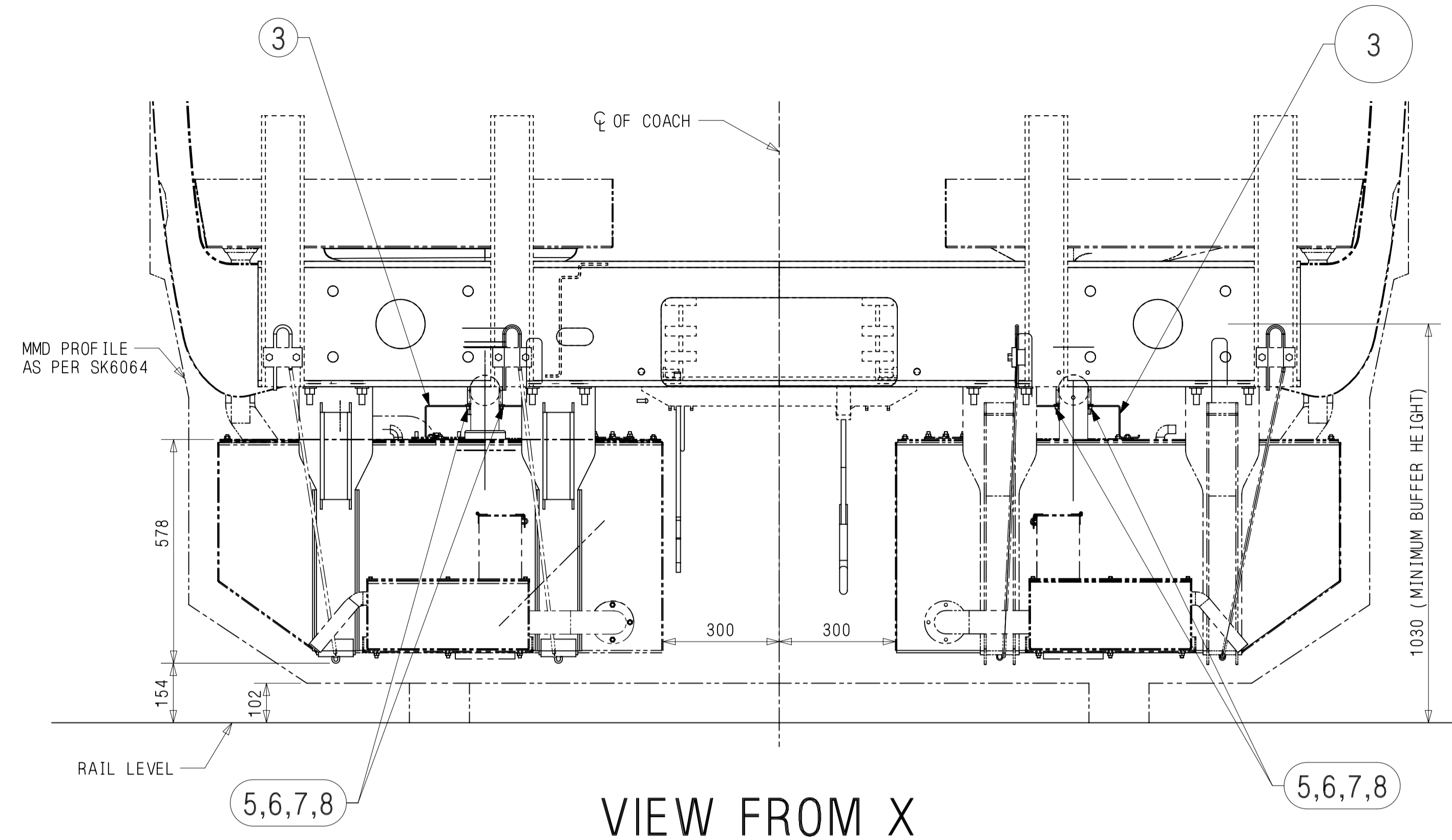
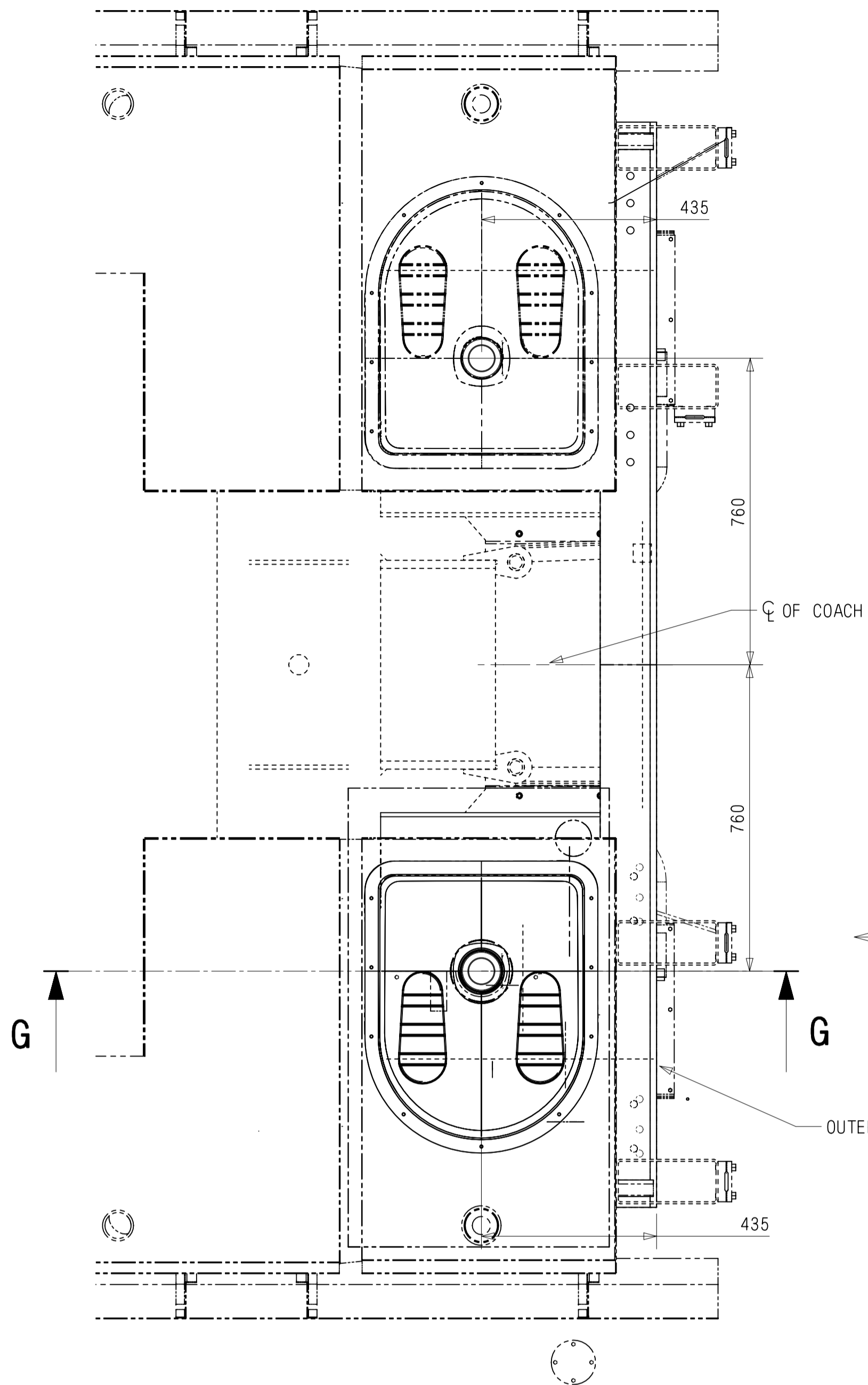
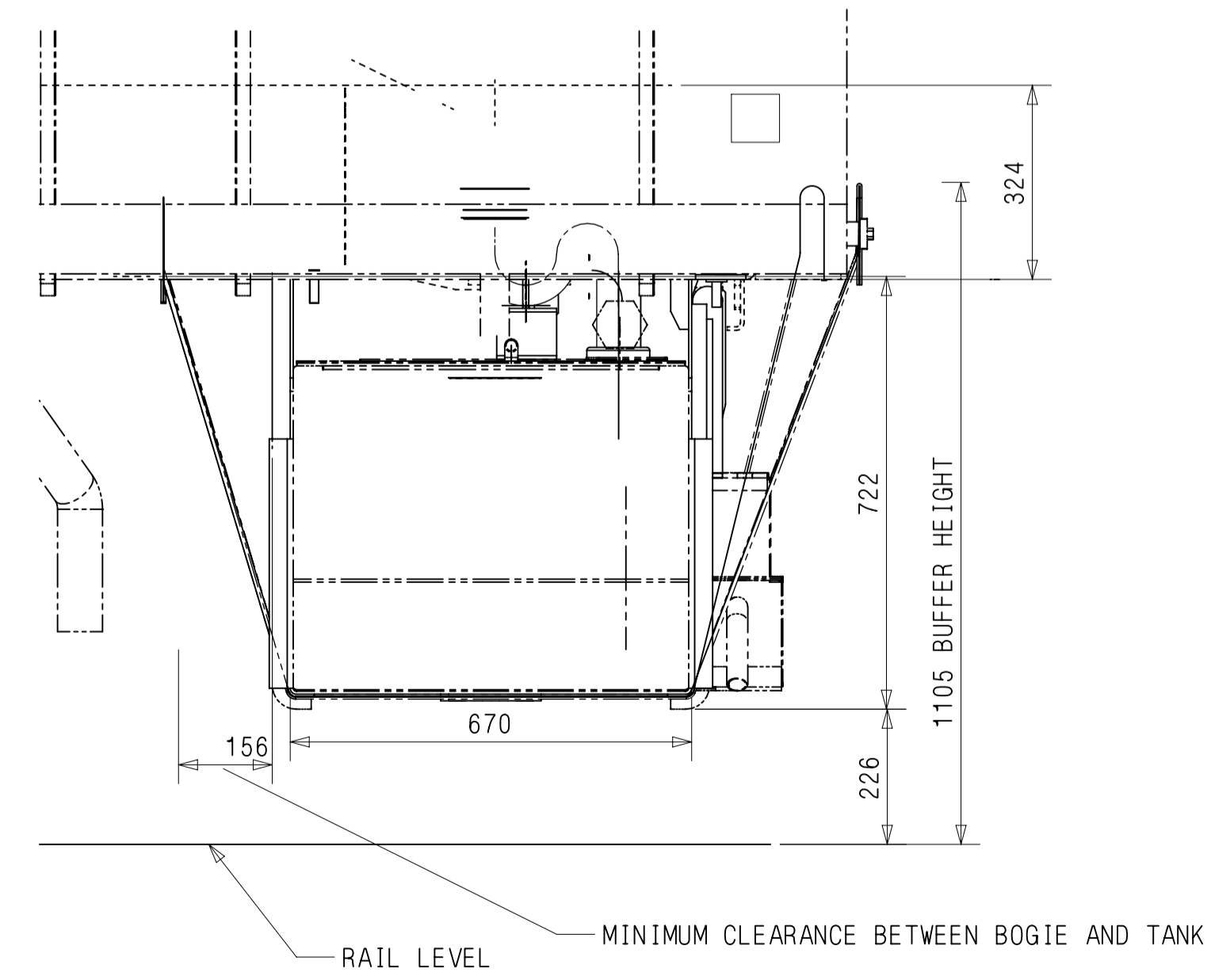


© THIS DRAWING IS THE INTELLECTUAL PROPERTY OF RESEARCH DESIGN AND STANDARD ORGANISATION LUCKNOW.
 THE COPYRIGHT, DESIGN RIGHT AND/OR OTHER INTELLECTUAL PROPERTY RIGHTS OF THIS DRAWING BELONGS TO RDSO ONLY.
 UNAUTHORISED REPRODUCTION, ALTERATION, DISCLOSURE OR USE OF THIS DRAWING IS PROHIBITED.



NOTE:-

1. ITEM NO. 10 NEEDS TO BE WELDED ON TOP COVER OF THE DIGESTER TANK SUIT AT SITE.
2. ITEM NO. 1, 2 FOR 100 MM LAVATORY PAN OUTLET AND ITEM NO. 11, 12 FOR 150 MM LAVATORY PAN OUTLET. APPLICABILITY OF ITEM NO. 1, 2 OR 11, 12 IS TO BE DECIDED ACCORDINGLY.



ITEM	DESCRIPTION & DIMENSIONS	No. OFF	REF. DRG.	WT. OF ONE kg	MTL. & SPEC.	REMARKS
12	RUBBER SEAL FOR 150 MM LAVATORY S-TRAP	2	CG-16013			SEE NOTE 2
11	S-TRAP FOR 150 MM LAVATORY PAN	2	CG-16012			SEE NOTE 2
10	SS STUD M10X25	8			IS: 1367 Pt. 14-SEC1	SEE NOTE 1
9	S. S. HOSE Clamp 80	2			IS: 4762-84 AISI 304	
8	S. S. HEX NUT M10 (Property class A2-70 To to IS: 1367 Pt. 17)	12			IS: 1364 Pt. 2-2002	
7	PLAIN WASHER 12	12				
6	Spring Washer B10	12			IS: 3063-1994	
5	U BRACKET	2	CG-16014			
4	RUBBER HOSE, NOMINAL DIA. 63, TYPE B	2			IS: 14933: 2001	
3	BRACKET FOR S-TRAP	2	CG-16011			
2	RUBBER SEAL FOR 100 MM LAVATORY S-TRAP	2	CG-16010			SEE NOTE 2
1	S-TRAP FOR 100 MM LAVATORY PAN	2	CG-16009			SEE NOTE 2

1	SS/02/17	1. DESCRIPTION AND MATERIAL SPECIFICATION OF ITEM NO. 4 REVISED. 2. NOTE 3 DELETED		
ALT. ITEM	AUTHY.	DESCRIPTION	CKD.	DATE

INDIAN RAILWAYS

ICF/RCF TYPE IR BG COACHES

S-TRAP ARRANGEMENT FOR BOLTED DESIGN IR-DRDO SMALLER BIO DIGESTER (FOR NON-CBC FITTED COACHES)

CG-16008

ASSEMBLY DRGS. SUPERSEDES:-
 REFERENCE :- SCALE P 1:5 C D J.S. SS/35/16
 CDIC NO. :- B.G. R.D.S.O. (CG) K-503