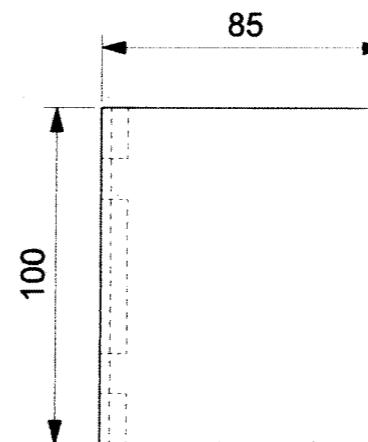
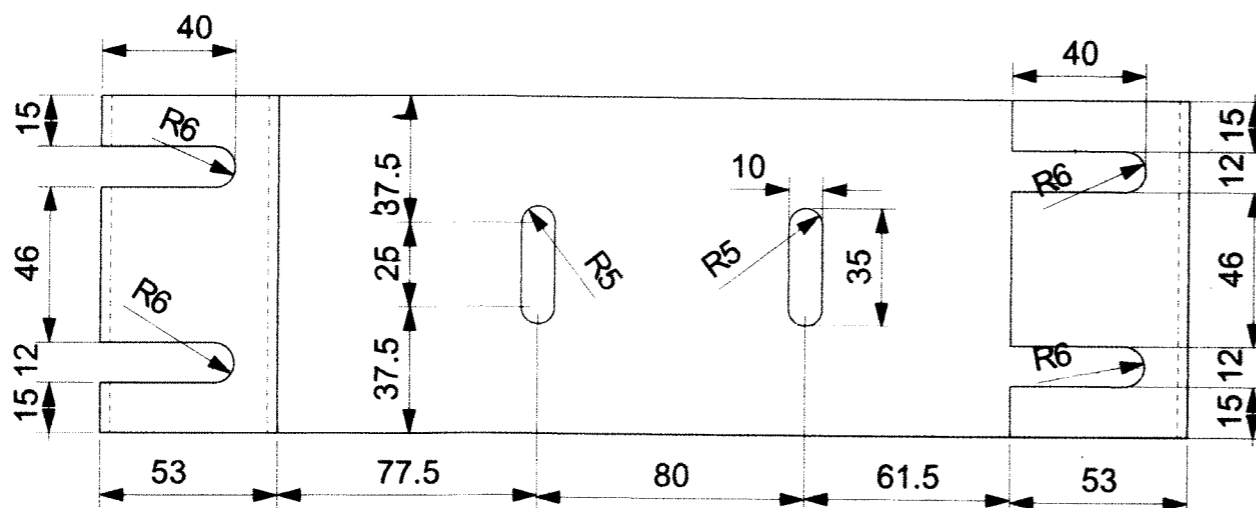


ISO VIEW
(FOR REFERENCE ONLY)



SHEET 3X100X545			AISI-316L		
ITEM	DESCRIPTION & DIMENSIONS	NO. OFF.	REF. DRG.	WT. OF ONE kg	MTL. & SPEC. REMARKS

ASSEMBLY DRGS.	SUPERSEDED BY:-		INDIAN RAILWAYS		
REFERENCE :-	SUPERSEDES:-		ICF/RCF TYPE COACHES		
	SCALE	P	BRACKET FOR MOUNTING OF S-TRAP		
	1:2	C			
		D			
	J.S.	SS/38/16			
CDIC NO. :-	B.G.	R.D.S.O.	CG-16011		
k-503		[CG]			

ALT.	ITEM	AUTH.	DESCRIPTION	CKD.	DATE