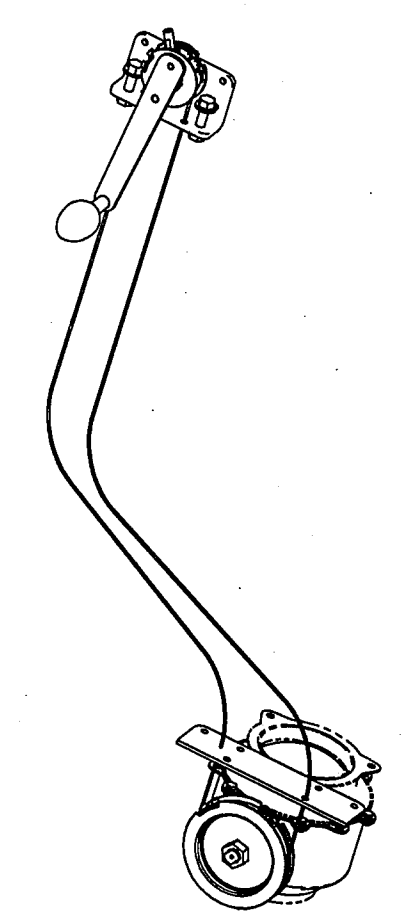
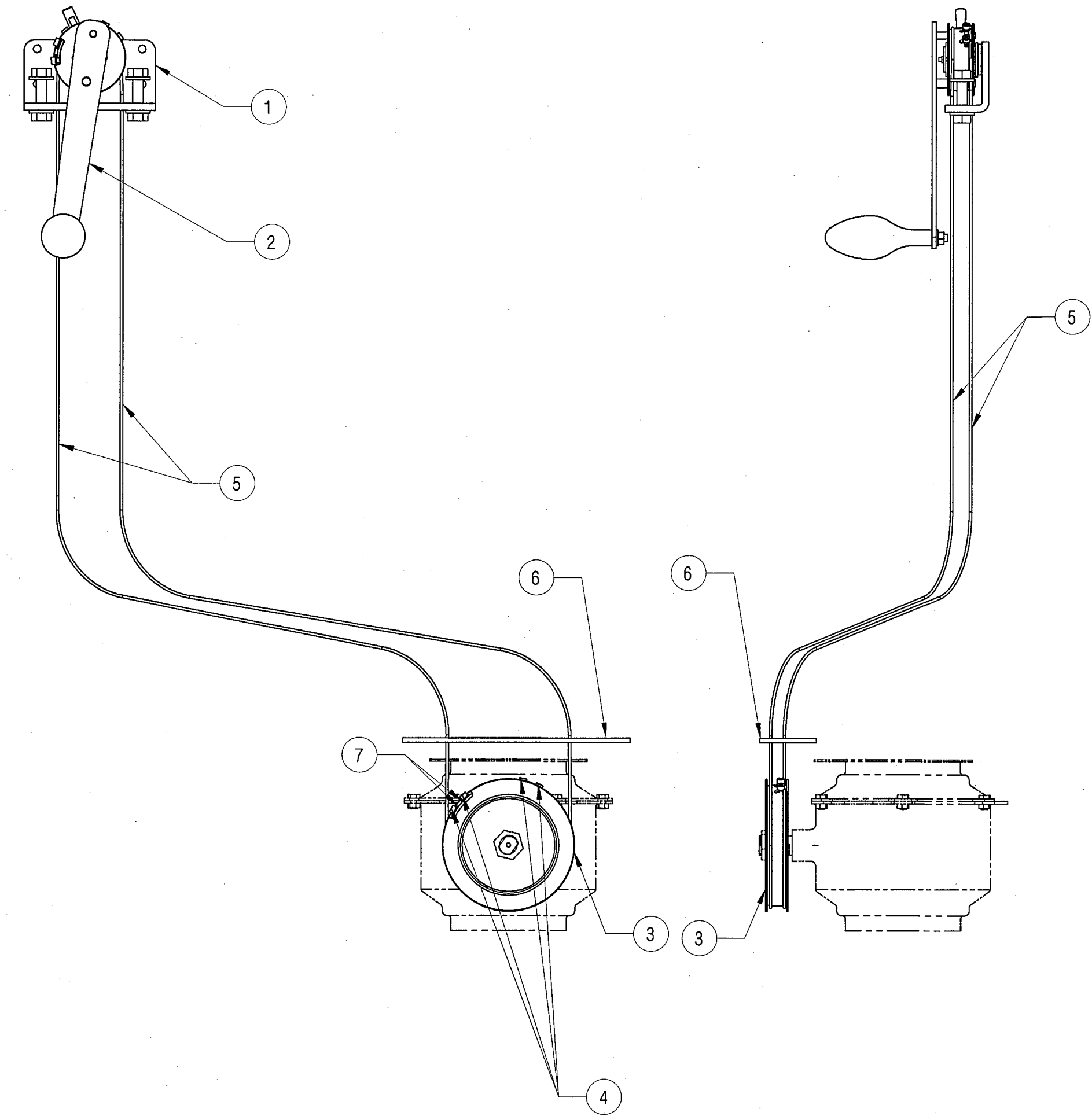


ALT.NO	ALT.DATE	ZONE	ALTERATIONS	AUTHORITY
NIL	NIL	NIL	NIL	NIL



ISO VIEW
(FOR REF. ONLY)

भारत
ENTERED
में
INTO
प्रविष्टि
DATA BASE

17 NOV 2015

THIS DRAWING IS THE INTELLECTUAL PROPERTY OF RAIL COACH FACTORY, KAPURTHALA. THIS DRAWING SHOULD NOT BE REPRODUCED, ALTERED, USED FOR MANUFACTURING OF COMPONENTS, SOLD OR TRANSFERRED WITHOUT PERMISSION FROM CHIEF DESIGN ENGINEER, RAIL COACH FACTORY, KAPURTHALA.

7	WIRE HOLDER	8	NIL	COMMERCIAL	NIL
6	WIRE GUIDE PLATE	1	NIL	AISI-304	NIL
5	CLUTCH WIRE	2	MI006588	NIL	NIL
4	SOCKET HD CAP SCREW M5X15	8	LIHW10	DIN912, IS: 2269-1995	ITEM-2 COATING TO MDS 057
3	PULLEY 140MM	1	MI006580	NIL	NIL
2	HANDLE	1	MI006583	NIL	NIL
1	DRIVING ARRANGEMENT	1	MI006577	NIL	NIL

WELD LENGTH	ITEM	DESCRIPTION & DIMENSIONS	QPASSLY	DETAIL DRG	MATL. & SPEC.	REMARKS			
NIL	M	GROUP	LAV. & ITS FITTINGS			SUPERSEDES: NIL			
WEIGHT	FILE	\\mi006591.prt (3D)							
NIL	KG	CLUTCH WIRE TYPE MECHANISM				SCALE	SSE/REC	Amrta 17/11/15	
S.AREA						CHD	JPSN	R	
NIL	M ²	FOR BALL VALVE IN BIO-TOILETS				DRN	SONI	Amrta 17/11/15	
LENGTH / DIA						REF.DRG.No.	NIL		
NIL	M	RAIL COACH FACTORY, KAPURTHALA				PL NO.	NIL		
WIDTH / THICK		रेल कोच फेक्टरी कपूरथला		IRS	DRG.NO.	MI006591			
NIL	M	ADE/SME	DY.CME		CDE	ALT.	NIL	SIZE	A2 SHEET 1/1
HEIGHT									
NIL	M								

DETAIL DRGS STARTING WITH "LI" ARE INTERNAL REFERENCE LISTS ONLY AND ARE NOT FOR ISSUE
ANY MANUAL ALTERATION SHALL AUTOMATICALLY RENDER THIS DRAWING INVALID.

FOR UNTOLERANCED DIMENSIONS REFER MDG0008	DATE OF FIRST ISSUE	17/11/2015	CGM BY	Amrta 17/11/15
---	---------------------	------------	--------	----------------