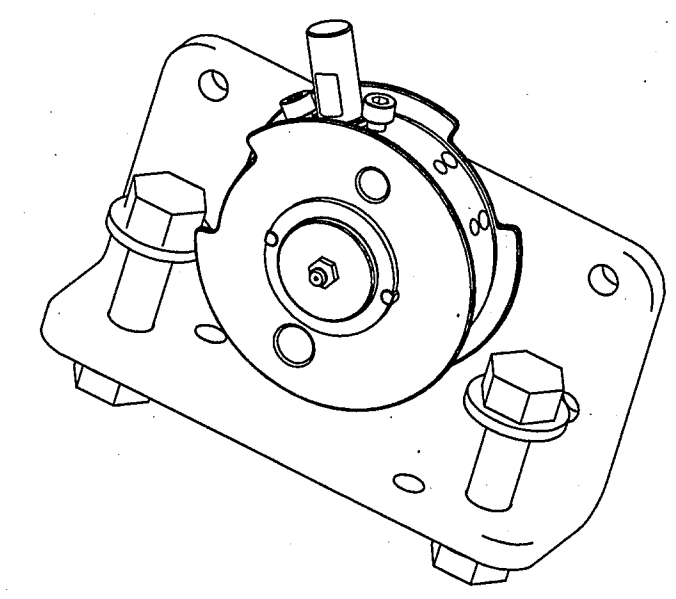
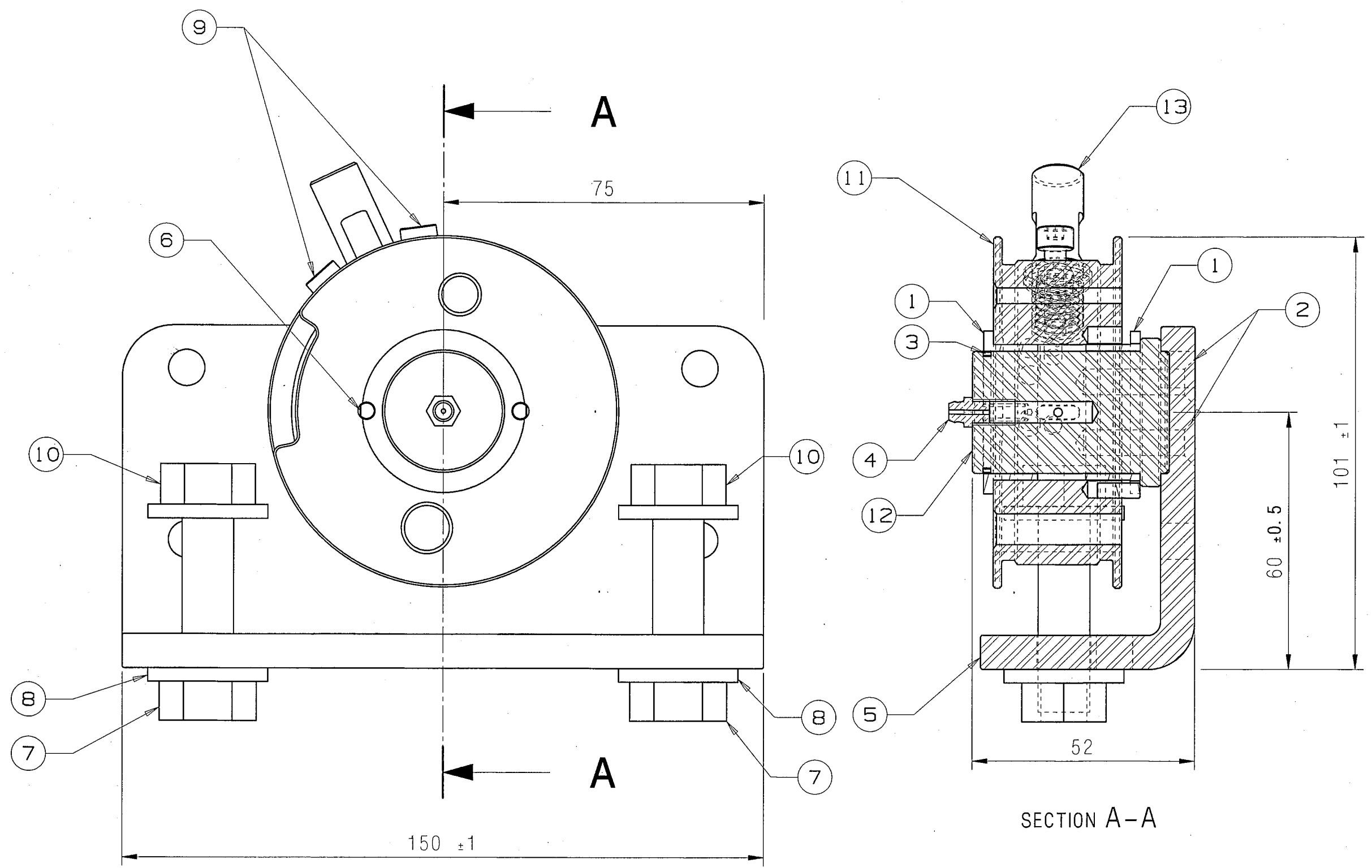


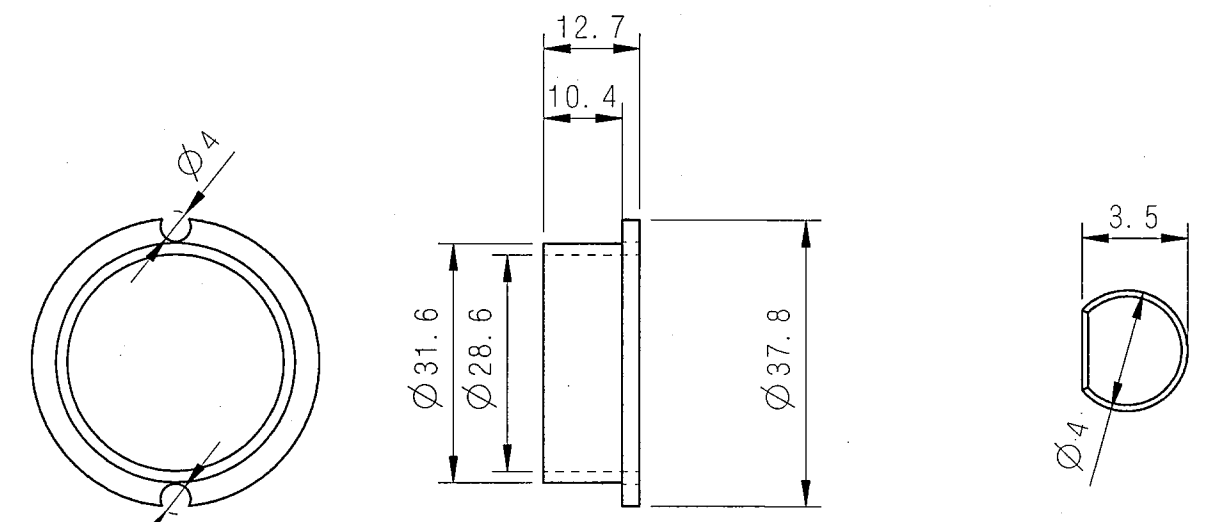
ALT.NO	ALT.DATE	ZONE	ALTERATIONS	AUTHORITY
NIL	NIL	NIL	NIL	NIL



आकडिया
ENTERED
INTO
डेटाबेस
DATA BASE

17 MAY 2015

13	STOPPER PIN FIX	1	MI006582	NIL	NIL
12	SHAFT LINKAGE	1	MI006581	NIL	NIL
11	PULLEY 70MM	1	MI006579	NIL	NIL
10	HEX HEAD BOLT M12X65	2	LIHW01	IS: 1364 PT. 1-92 5, 6, CE	ITEM-23 COATING TO MDTS 057
9	SOCKET HD CAP SCREW M5X10	2	LIHW10	DIN912, IS: 2269- 1995	ITEM-2 COATING TO MDTS 057
8	SPRING WASHER B12	4	LIHW09	IS: 3063-1994	ITEM-22 COATING TO MDTS 057
7	STAINLESS STEEL NYLOC NUT M12 (A2-70 TO IS: 1367 PT. 14)	4	LIHWSS08	IS: 7002-1991 DIN982	ITEM-10 COATING TO MDTS 057
6	LOCKPIN HEADLESS	4	NIL	AISI-304	NIL
5	MOUNTING PLATE	1	MI006578	NIL	NIL
4	GREASE NIPPLE M6	1	NIL	IS: 4009 (PART-II)-1981	TABLE-1
3	CIRCLIP 28 OD	1	NIL	AISI-304	NIL
2	STAINLESS STEEL SLOTTED CSK HEAD SCREW M8X30 (A2-70 TO IS: 1367 PT. 14-84)	4	LIHWSS03	IS: 1365-1978	ITEM-2
1	BUSH	2	NIL	AISI-304	NIL



DETAILS OF ITEM-1

SCALE 4:1
DETAILS OF ITEM-6

THIS DRAWING IS THE INTELLECTUAL PROPERTY OF RAIL COACH FACTORY, KAPURTHALA. THIS DRAWING SHOULD NOT BE REPRODUCED, ALTERED, USED FOR MANUFACTURING OF COMPONENTS SOLD OR TRANSFERRED WITHOUT PERMISSION FROM CHIEF DESIGN ENGINEER, RAIL COACH FACTORY, KAPURTHALA.

WELD LENGTH	ITEM	DESCRIPTION & DIMENSIONS	OPASSLY	DETAIL DRG	MATL. & SPEC.	REMARKS				
NIL	M	GROUP LAV. & ITS FITTINGS	SUPERSEDES: NIL							
WEIGHT	FILE	\\mi006577.prt (3D)								
NIL	KG	DRIVE ARRANGEMENT				SCALE	SSE/REC	Amrta		
NIL	M2					CHD	JPSN	CA		
LENGTH / -D+A	M					DRN	SONI	Amrta		
NIL	M					RAIL COACH FACTORY, KAPURTHALA			REF.DRG.No.	NIL
WIDTH / THICK	NIL	M	रेल कोच फैक्टरी कपूरथला		IRS	PL NO.	NIL			
HEIGHT	NIL	M	ADE/SME		com	DRG.NO.	MI006577			
NIL	M	DY.CME		M	CDE	ALT.	NIL			
							SIZE	A2	SHEET	1/1

DETAIL DRGS STARTING WITH "LI" ARE INTERNAL REFERENCE LISTS ONLY AND ARE NOT FOR ISSUE
ANY MANUAL ALTERATION SHALL AUTOMATICALLY RENDER THIS DRAWING INVALID.

FOR UNTOLERANCED DIMENSIONS REFER MDG0008	DATE OF FIRST ISSUE	14/10/2015	CGM BY	Amrta
---	---------------------	------------	--------	-------