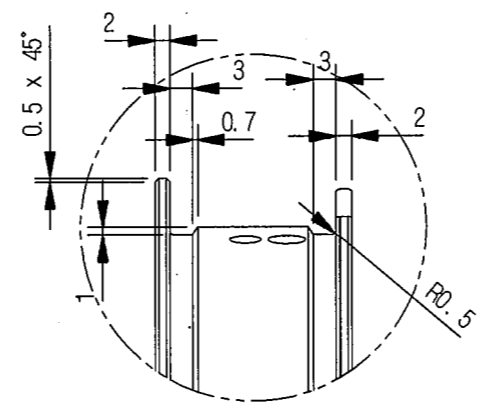
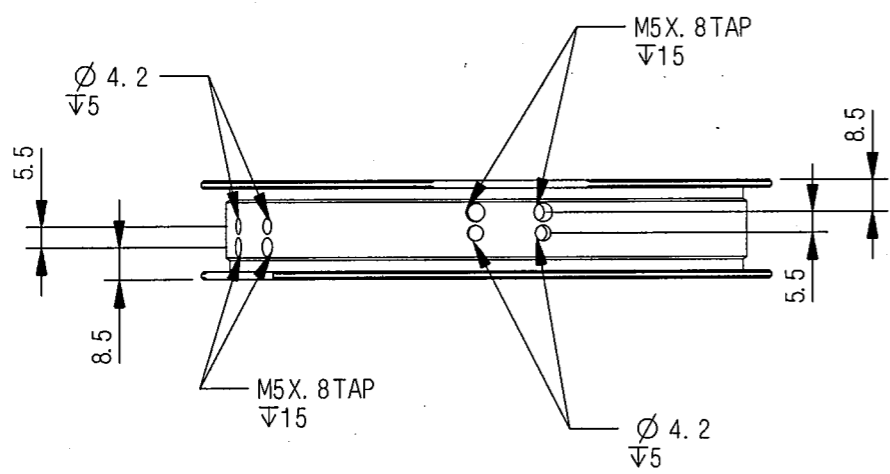
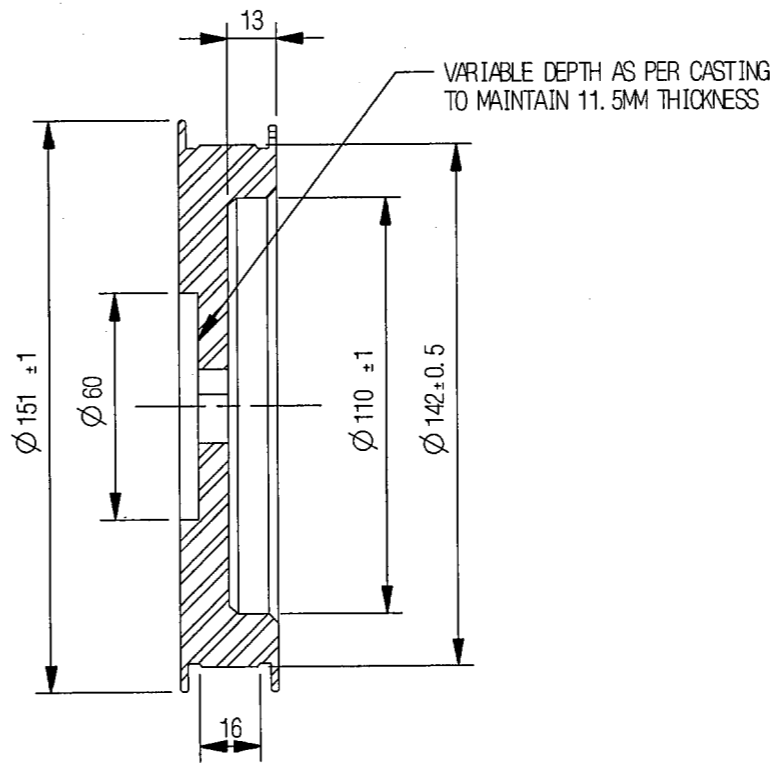
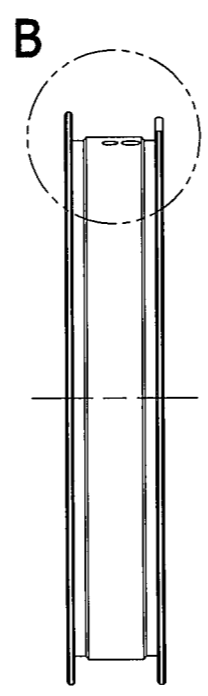
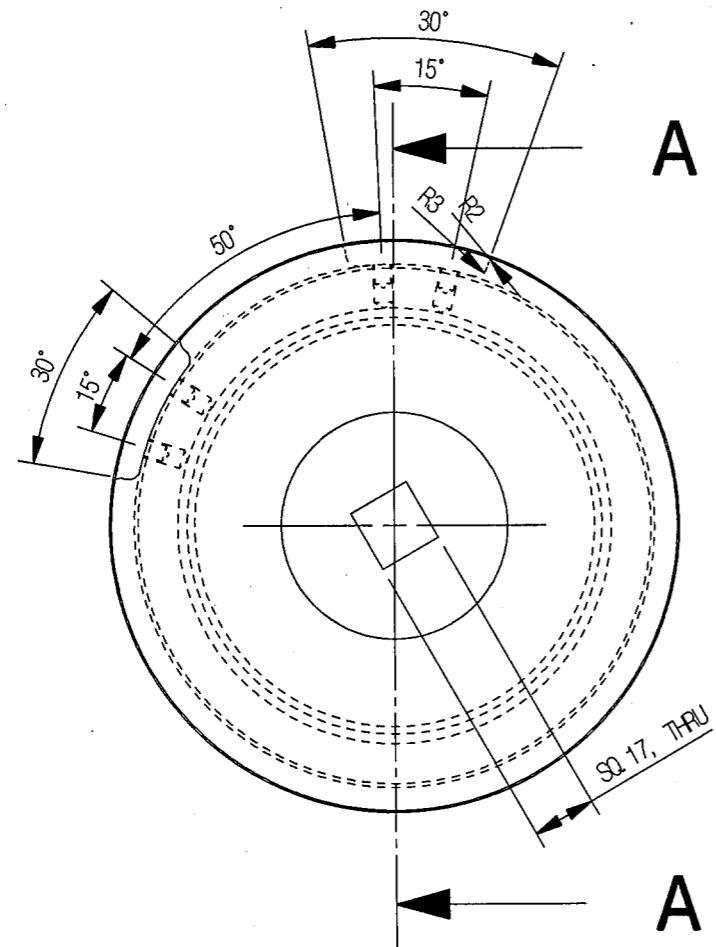


| ALT. NO | ALT. DATE | ZONE | ALTERATIONS | AUTHORITY |
|---------|-----------|------|-------------|-----------|
| NIL | NIL | NIL | NIL | NIL |



DETAIL B
SCALE 1:1



SECTION A-A

भारत
ENTERED
INTO
प्रविष्टि
DATA BASE
17 NOV 2015

THIS DRAWING IS THE INTELLECTUAL PROPERTY OF RAIL COACH FACTORY, KAPURTHALA. THIS DRAWING SHOULD NOT BE REPRODUCED, ALTERED, USED FOR MANUFACTURING OF COMPONENTS, SOLD OR TRANSFERRED WITHOUT PERMISSION FROM CHIEF DESIGN ENGINEER, RAIL COACH FACTORY, KAPURTHALA.

| | | | | | | |
|----------------|----------------|--------------------------|---------------------|-------------|---------------|---------|
| NIL | PULLEY Ø 140 | NIL | NIL | AISI -304 | NIL | |
| WELD LENGTH | ITEM | DESCRIPTION & DIMENSIONS | QPASSLY | DETAIL DRG | MATL. & SPEC. | REMARKS |
| NIL | M | GROUP | LAV. & ITS FITTINGS | SUPERSEDES: | NIL | |
| WEIGHT | FILE | \\mi006580.prt (3D) | | | | |
| NIL | KG | | | | | |
| S. AREA | | | | | | |
| NIL | M ² | | | | | |
| LENGTH / -DIA | | | | | | |
| NIL | M | | | | | |
| WIDTH / -THICK | | | | | | |
| NIL | M | | | | | |
| HEIGHT | | | | | | |
| NIL | M | | | | | |

PULLEY 140MM

RAIL COACH FACTORY, KAPURTHALA

रेल कोच फेक्टरी कपूरथला

IRS

PL NO. NIL

DRG. NO. MI006580

ADE/SME

cm

DY.CME

M

CDE

ALT. NIL SIZE A3 SHEET 1/1

DETAIL DRGS STARTING WITH "LI" ARE INTERNAL REFERENCE LISTS ONLY AND ARE NOT FOR ISSUE.

THIS IS A COMPUTER GENERATED DRAWING. ANY MANUAL ALTERATION SHALL AUTOMATICALLY RENDER IT INVALID.

FOR UNTOLERANCED DIMENSIONS REFER MDG0008 DATE OF FIRST ISSUE 17/11/2015 CGM BY *Handwritten Signature* 17.11.15