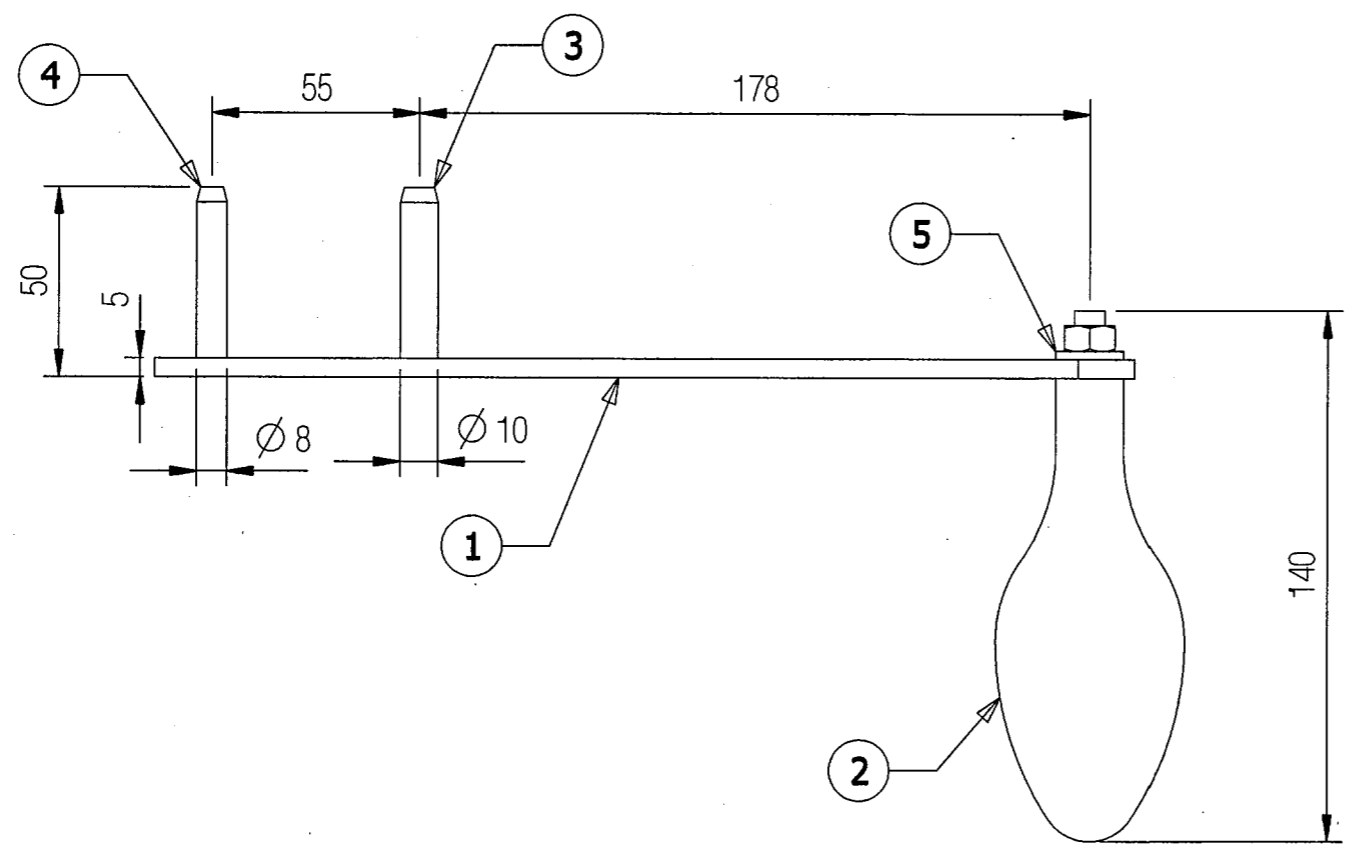
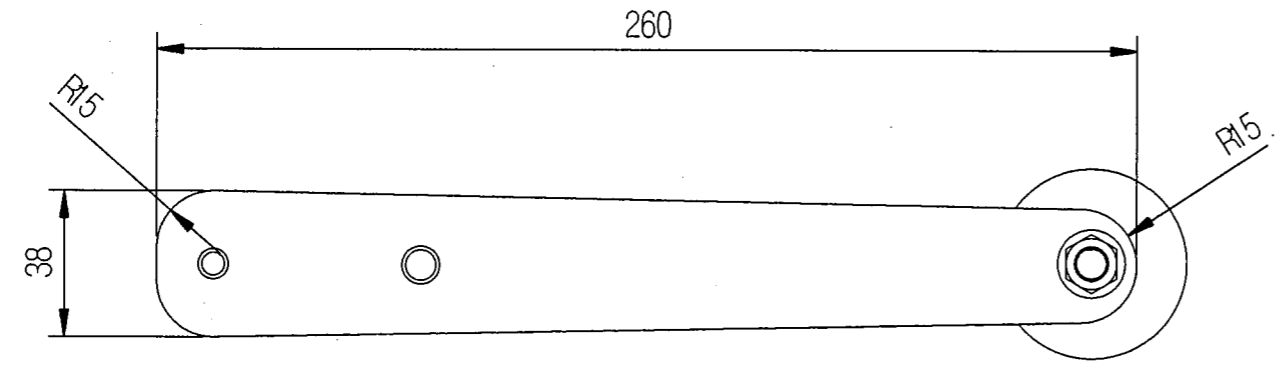


ALT.NO	ALT.DATE	ZONE	ALTERATIONS	AUTHORITY
NIL	NIL	NIL	NIL	NIL



THIS DRAWING IS THE INTELLECTUAL PROPERTY OF RAIL COACH FACTORY, KAPURTHALA. THIS DRAWING SHOULD NOT BE REPRODUCED, ALTERED, USED FOR MANUFACTURING OF COMPONENTS, SOLD OR TRANSMITTED WITHOUT PERMISSION FROM CHIEF DESIGN ENGINEER, RAIL COACH FACTORY, KAPURTHALA.

आकडिया
ENTERED
 में
INTO
 प्रविष्टियां
DATA BASE

17 NOV 2015

6	SPRING WASHER B8	1	LIHW09	IS: 3063-1994	ITEM-20 COATING TO MDTs 057
5	STAINLESS STEEL NYLOC NUT M8 (A2-70 TO IS:367 PT.14)	1	LIHWSS08	IS: 7002-1991 DIN982	ITEM-8 COATING TO MDTs 057
4	PIN 8MM	1	NIL	AISI-304	NIL
3	PIN 10MM	1	NIL	AISI-304	NIL
2	NYLON GRIP	1	NIL	NIL	NIL
1	PLATE 5X38X260	1	NIL	AISI-304	NIL

WELD LENGTH	ITEM	DESCRIPTION & DIMENSIONS	QPASSLY	DETAIL DRG	MATL. & SPEC.	REMARKS		
NIL	M	GROUP	LAV. & ITS FITTINGS					
WEIGHT	FILE	\\mi006583.prt (3D)						
NIL	KG	HANDLE FOR CLUTCH WIRE TYPE MECHANISM				SCALE	SSE/REC	<i>Amish</i> 17/11/15 <i>Soni</i> 17/11/15
S.AREA						CHD	JPSN	
NIL	M ²					DRN	SONI	
LENGTH / -D+A								
NIL	M	RAIL COACH FACTORY, KAPURTHALA				REF.DRG.NO.	NIL	
WIDTH / THICK		रेल कोच फैक्टरी कपूरथला		IRS	PL NO.	NIL		
NIL	M				DRG.NO.	MI006583		
HEIGHT					ALT.	NIL	SIZE A3 SHEET 1/1	
NIL	M	ADE/SME	CMV	DY.CME	CDE			

G
 DETAIL DRGS STARTING WITH "LI" ARE INTERNAL REFERENCE LISTS ONLY AND ARE NOT FOR ISSUE.
 THIS IS A COMPUTER GENERATED DRAWING. ANY MANUAL ALTERATION SHALL AUTOMATICALLY RENDER IT INVALID.
 FOR UNTOLERANCED DIMENSIONS REFER MDG0008