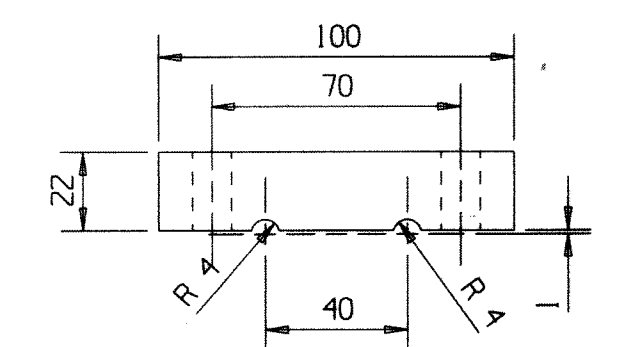
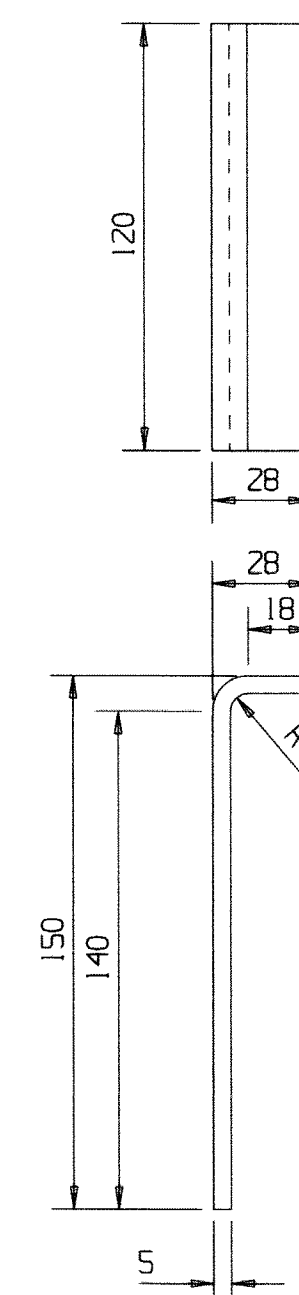
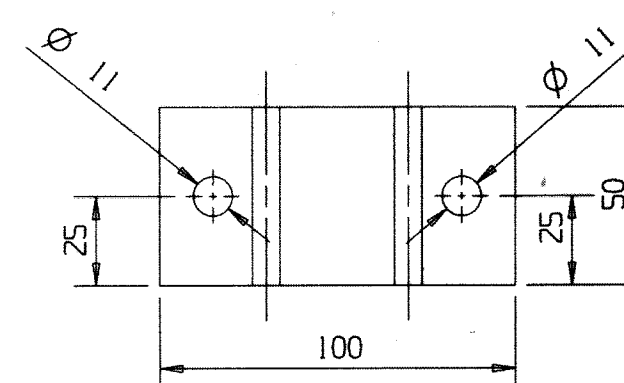


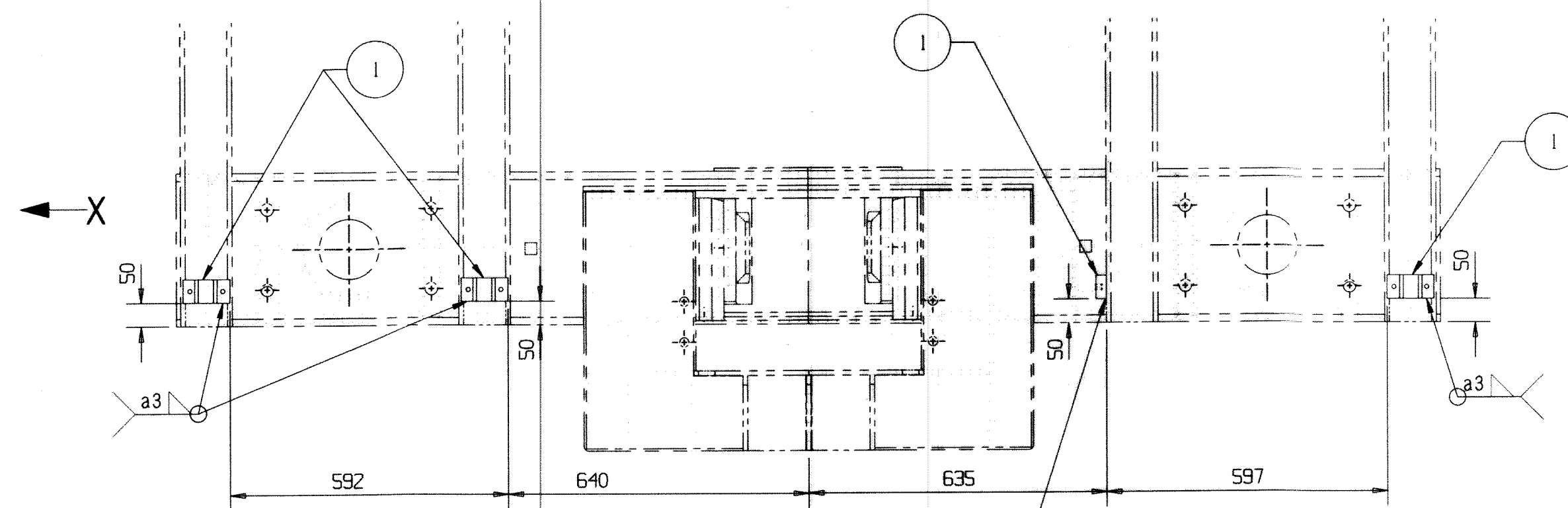
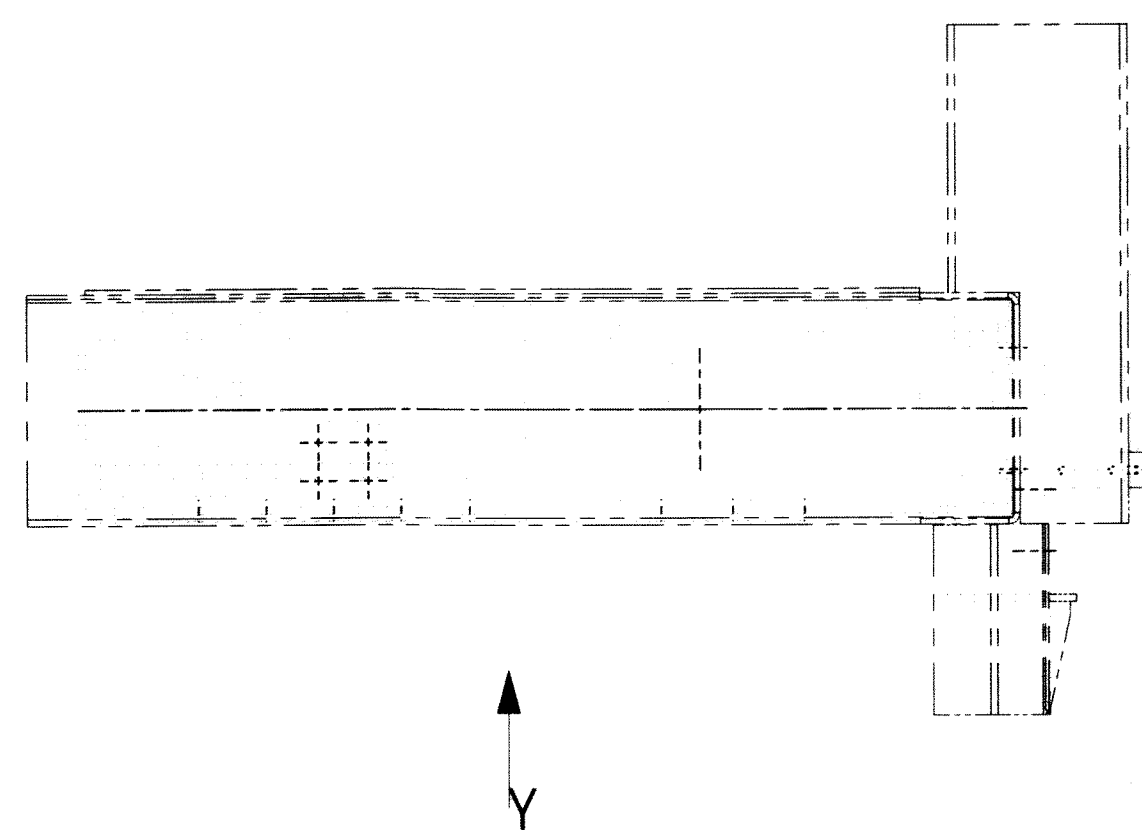
SECTION A-A



ITEM NO.1



ITEM NO. 2



VIEW FROM X

note:-  
1. Holes  $\phi 18$  required for mounting of bio digester shall be drilled using Jig and templat for ensuring correct pitching and dimension.

2	BRACKET FOR SCREWING PIECE	2			IRS-M41: 97	
1	SCREWING PIECE 22X50X100	8			IRS-M41: 97 OR STS2 OF EN10025	
ITEM	DESCRIPTION & DIMENSIONS	No. OF	REF. DRG.	WT. OF ONE kg	MTL. & SPEC.	REMARKS

SUPERSEDED BY:-	
ASSEMBLY DRGS.	SUPERSEDES:-
REFERENCE :-	SCALE P 1:5 C D J.S. SS/16/16
CDIC NO. :-	B.G. R.D.S.O. [CG]

<b>INDIAN RAILWAYS</b>	
ICF/RCF TYPE COACHES	
PROVISION OF MOUNTING HOLES AND WELDING PARTS FOR IR-DRDO BIO TOILETS IN CBC FITTED COACHES	
<b>CG-16060</b>	

1	SS/05/17	1. DIMENSION 670 WAS 650 IN VIEW FROM Y.		
ALT. ITEM	AUTHY.	DESCRIPTION	CKD.	DATE