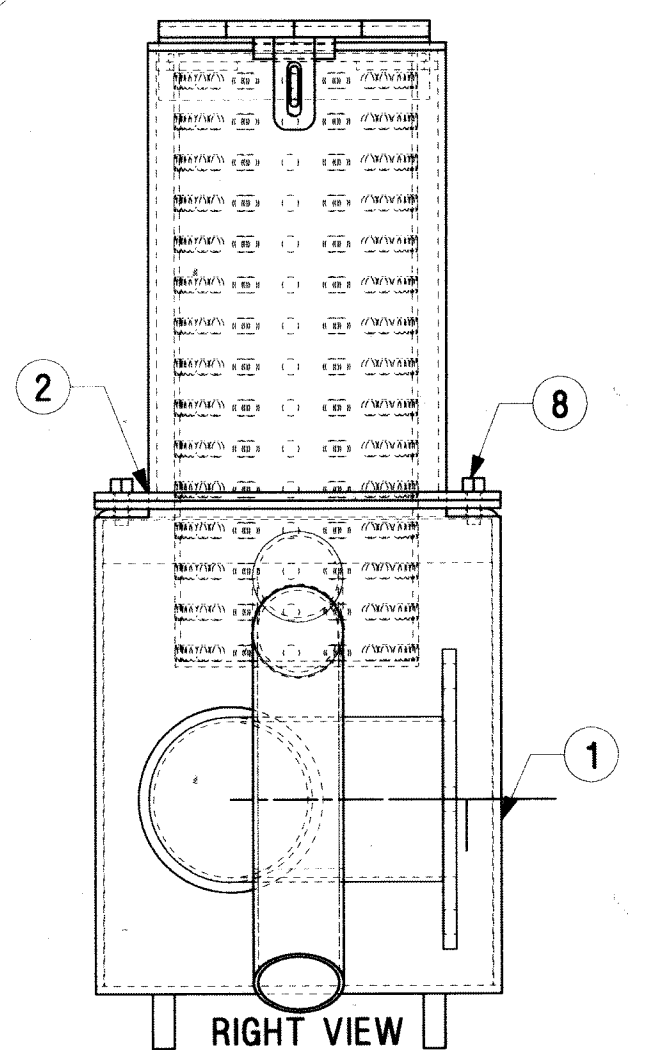
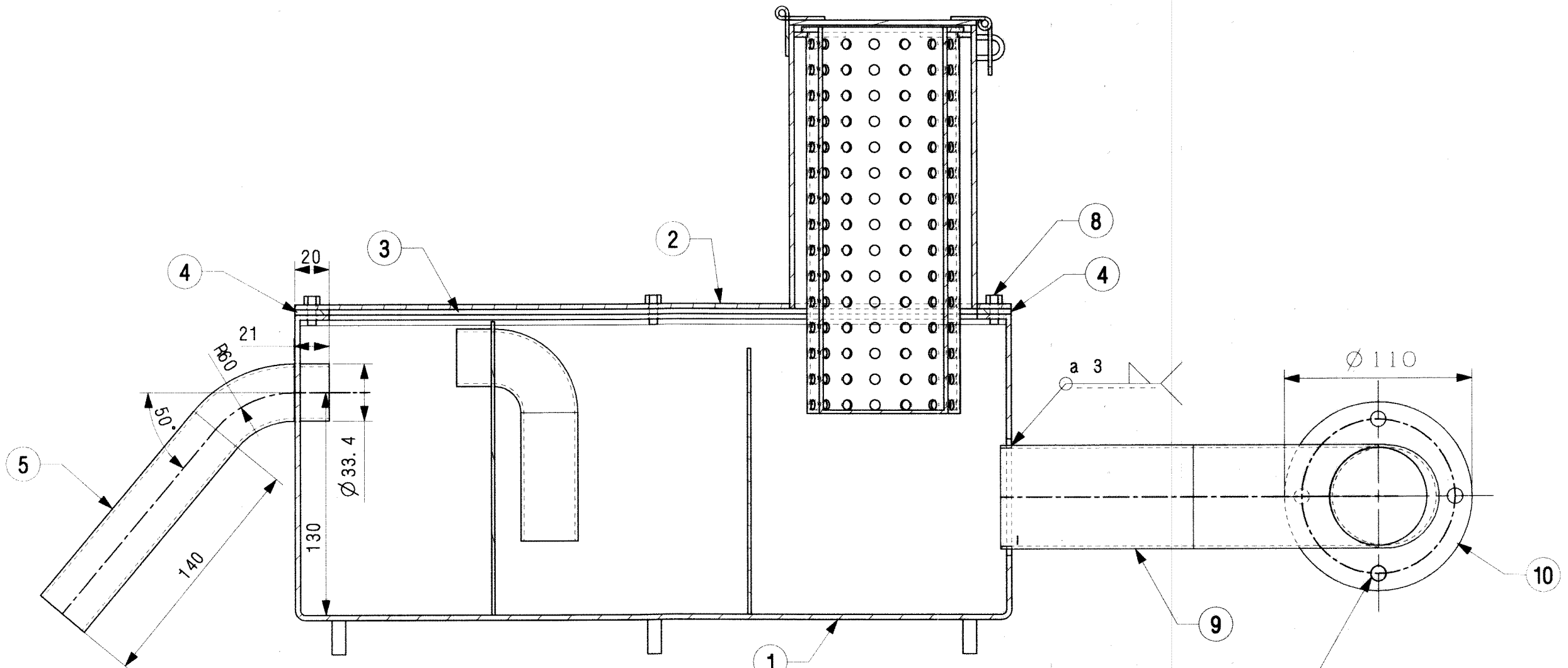


SECTION A-A



RIGHT VIEW



4 NO. Ø 8.5 HOLES PCD 90

SECTION B-B

ITEM	DESCRIPTION & DIMENSIONS	NO. OF	REF. DRG.	WT. OF ONE kg	MTL. & SPEC.	REMARKS
10	CIRCULAR PLATE 5X Ø 110	1			AISI 316L	
9	BEND PIPE OD Ø 60.33 WALL THICKNESS 1.65	1			ASTM A-312 AISI 316L	
8	HEX HEAD SCREW M6X12 (A2-70 TO IS: 1367 PT. 17)	6			IS: 1364 (PT. 2): 2002 TABLE-1	
7	SOCKET 50 MM	1			IS: 1239 PT. 2: 1992 TABLE 8; AISI 304	
6	ELBOW 20MM	1			IS: 1239 PT. 2: 1992 TABLE 15	
5	BEND PIPE OD Ø 33.4 WALL THICKNESS 1.65	1			ASTM A-312 AISI 316L	L-175
4	RUBBER STRIP 2X20X110	2			EPDM	SHORE HARDNESS 'A' 65 ± 5
3	RUBBER STRIP 2X20X450	2			EPDM	SHORE HARDNESS 'A' 65 ± 5
2	TOP COVER WITH CHLORINE JACKET	1	CG-12011			
1	CHLORINATOR CHAMBER	1	CG-12010			

ALT. ITEM	AUTHY.	DESCRIPTION	CKD.	DATE
4	SS/58/16	1. DETAILS OF ITEM NO. 5, 9 UPDATED. 2. BEND RADIUS OF ITEM NO. 5, 9 WAS R30 AND R60 RESPECTIVELY. 3. SHORE HARDNESS DEFINED A 65 FOR ITEM NO. 4, 5.		
3	SS/29/16	1. ITEM NO. 7 DELETED. 2. ITEM NO. 9 AND 10 ADDED.		
2	SS/81/14	ITEM NO 6 DELETED		
1	SS/43/14	DRAWING REVISED		

SUPERSEDED BY: -	
ASSEMBLY DRGS.	SUPERSEDES: -
REFERENCE: :-	SCALE P 1: 2.5
	C D
	J.S. SS/05/12
CDIC NO. :- K-503	B.G. R.D.S.O. [CG]

INDIAN RAILWAYS	
ICF/RCF TYPE COACHES	
CHLORINATOR COMPLETE	
CG-12012	

THIS DRAWING IS PROPERTY OF RDSO. THE COPYRIGHT, DESIGN RIGHT AND/OR OTHER INTELLECTUAL PROPERTY RIGHTS OF THIS DRAWING BELONGS TO THE RDSO ONLY. UNAUTHORISED REPRODUCTION, DISCLOSURE OR USE OF THIS DRAWING IS PROHIBITED.

"JOINTLY DEVELOPED BY IR & DRDO"