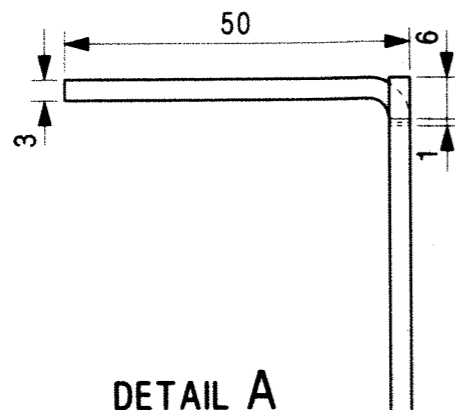
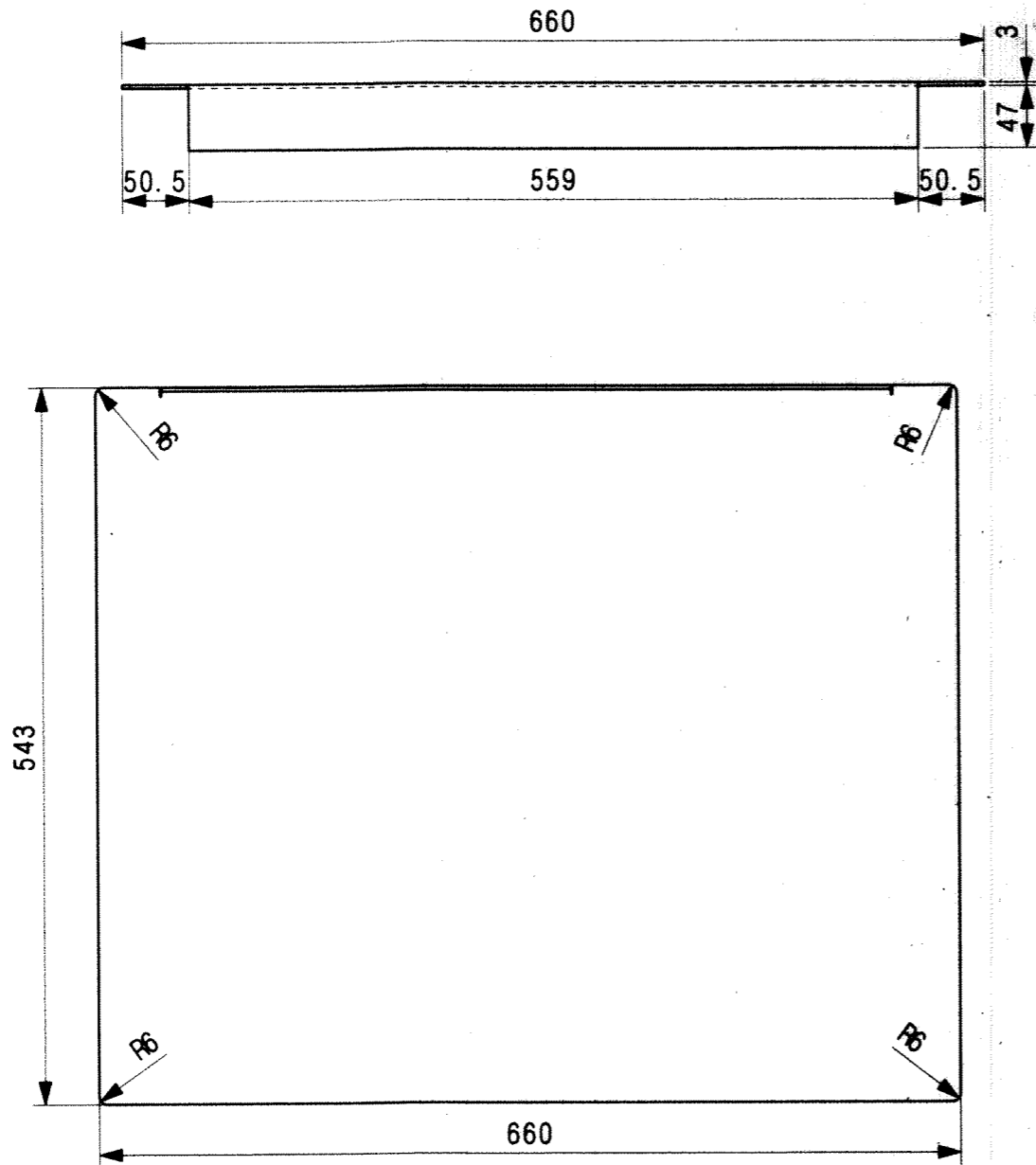
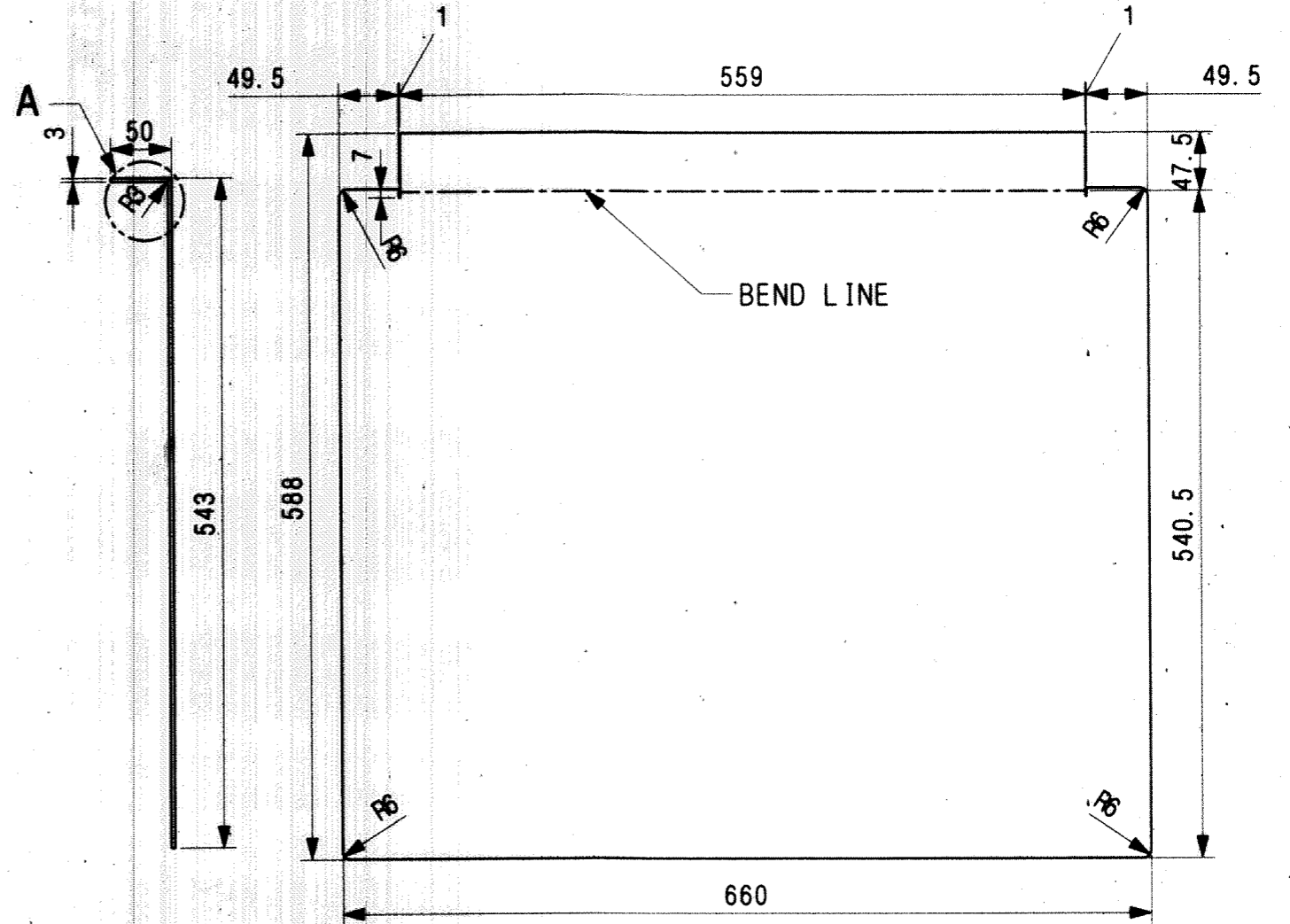


THIS DRAWING IS PROPERTY OF RDSO.
 THE COPYRIGHT, DESIGN RIGHT AND/OR OTHER INTELLECTUAL
 PROPERTY RIGHTS OF THIS DRAWING BELONGS TO THE RDSO ONLY.
 UNAUTHORISED REPRODUCTION, DISCLOSURE OR USE OF THIS DRAWING
 IS PROHIBITED.



DETAIL A
 SCALE 1:1



DEVELOPED VIEW

1	SHEET 3X588X660	1			AISI316L	
ITEM	DESCRIPTION & DIMENSIONS	NO. OFF	REF. DRG.	WT. OF ONE kg	MTL. & SPEC.	REMARKS

SUPERSEDED BY:-		INDIAN RAILWAYS				
ASSEMBLY DRGS. SUPERSEDES:-		ICF/RCF TYPE COACHES				
REFERENCE :-	SCALE	P				
		C				
		D				
		J.S. SS/52/14				
TANK PART-2						

ALT.	ITEM	AUTH.	DESCRIPTION	CKD.	DATE	COIC NO. :- K-503	B.G.	R.D.S.O. [CG]		CG-14059
------	------	-------	-------------	------	------	----------------------	------	------------------	--	----------