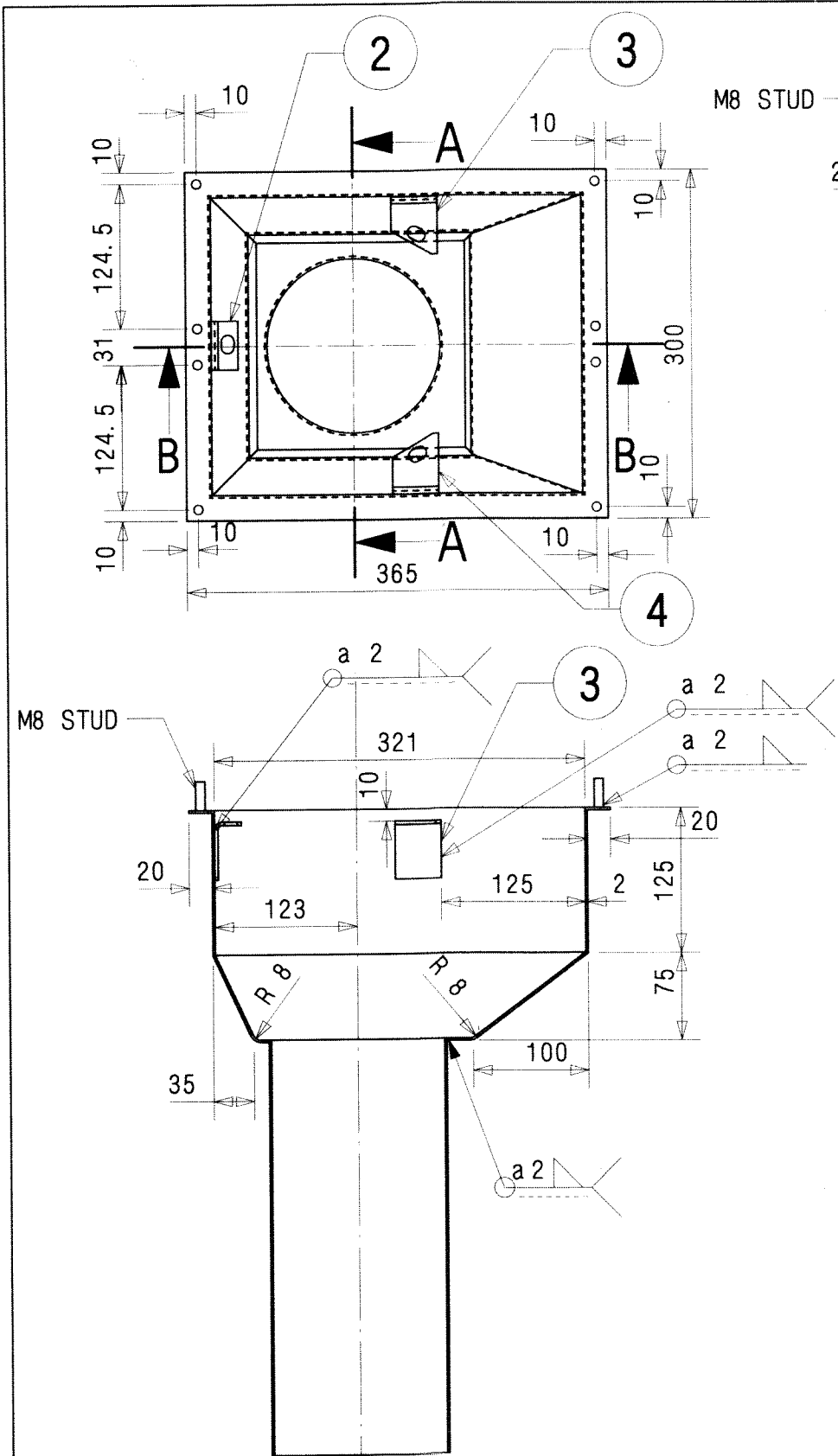
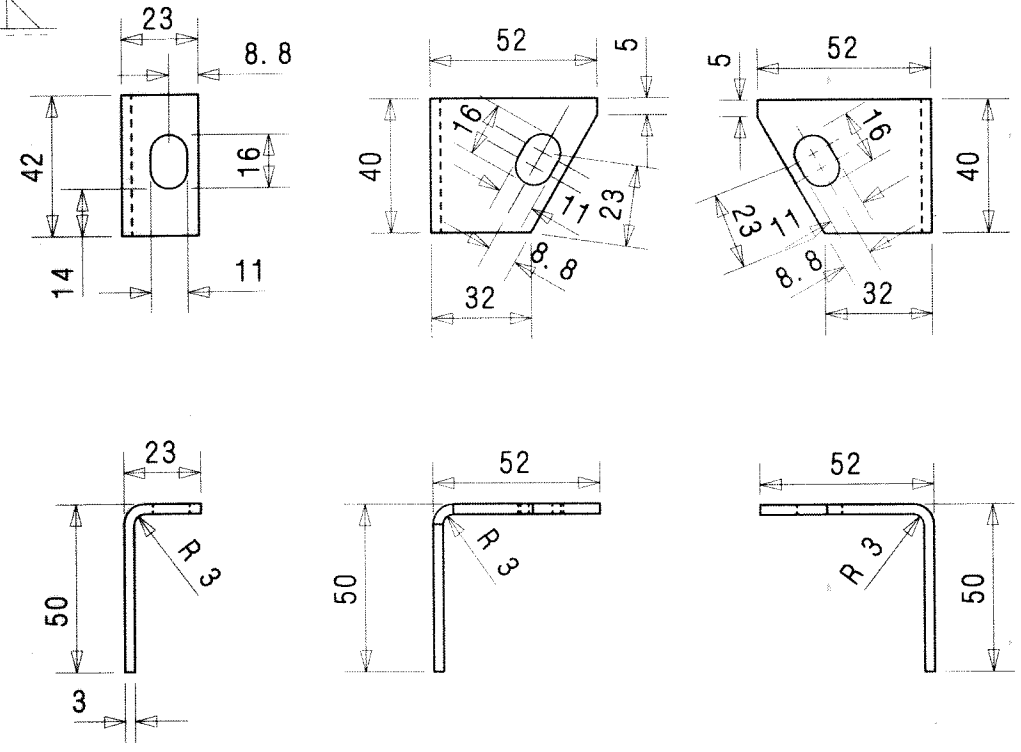


THIS DRAWING IS PROPERTY OF RDSO.
 THE COPYRIGHT, DESIGN RIGHT AND/OR OTHER INTELLECTUAL
 PROPERTY RIGHTS OF THIS DRAWING BELONGS TO THE RDSO ONLY.
 UNAUTHORISED REPRODUCTION, DISCLOSURE OR USE OF THIS DRAWING
 IS PROHIBITED.



SECTION B-B

SECTION A-A



ITEM NO.2 ITEM NO.3 ITEM NO.4

NOTE:-
 * 1. ITEM NO. 1, 2, 3 ARE REQUIRED IN BALL VALVE TYPE ASSEMBLY ONLY.

ITEM	DESCRIPTION & DIMENSIONS	No. OFF	REF. DRG.	WT. OF ONE KG	MTL. & SPEC.	REMARKS
5	S S STUD M8X25	8			A2-70 IS: 1367 pt-14, SEC1	
4	BRACKET3	1			AISI 316L	*
3	BRACKET2	1			AISI 316L	*
2	BRACKET1	1			AISI 316L	*
1	ADAPTOR COMPLETE	1			AISI 316L	

SUPERSEDED BY:-		INDIAN RAILWAYS	
ASSEMBLY DRGS. SUPERSEDED:-		ICF/ RCF TYPE COACHES	
REFERENCE :-		ADAPTOR FOR BALL VALVE OF BIO DIGESTER TANK	
SCALE	P		
1:5	C		
	D		
CDIC NO. :-K503		B.G.	R.D.S.O. [CG]
		CG-14061	

ALT.	ITEM	AUTH.	DESCRIPTION	CKD.	DATE
2		SS/55/16	1. SLOT DIMENSION OF ITEM NO. 2, 3, 4 UPDATED.		
1		SS/24/16	WELDING DETAILS ADDED		

"JOINTLY DEVELOPED BY IR & DRDO"